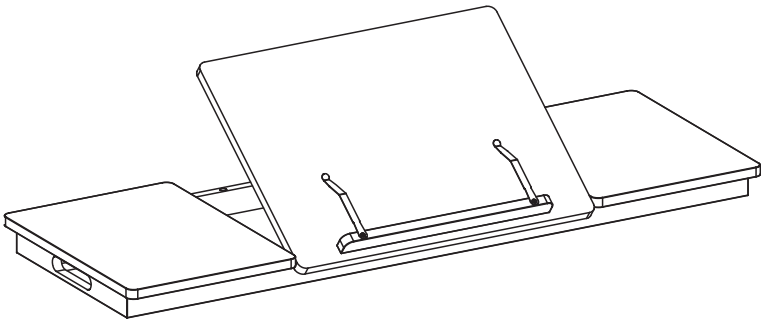




Bamboo Tilting Laptop Desk for Treadmill

Instruction Manual



SKU: STAND-TDML5



Scan the QR code with your mobile device or follow the link for helpful videos and specifications related to this product.

<https://vivo-us.com/products/stand-tdml5>

GET IN TOUCH | Monday-Friday from 7:00am-7:00pm CST



help@vivo-us.com



www.vivo-us.com
Chat live with an agent!



309-278-5303

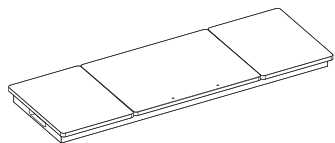
WARNING!

If you do not understand these directions, or if you have any doubts about the safety of the installation, please call a qualified technician. Check carefully to make sure there are no missing or defective parts. Improper installation may cause damage or serious injury. Do not use this product for any purpose that is not explicitly specified in this manual. Do not exceed weight capacity. We cannot be liable for damage or injury caused by improper mounting, incorrect assembly or inappropriate use.

WARNING: CHOKING HAZARD

SMALL PARTS - NOT FOR CHILDREN UNDER 3 YEARS. ADULT SUPERVISION IS REQUIRED.

PACKAGE CONTENTS



A (x1)
Platform



B (x1)
Platform Lip



C (x4)
Straps

TOOLS NEEDED



DO NOT EXCEED WEIGHT CAPACITY.

Failure to do so may result in serious injury.



Middle Laptop Tray

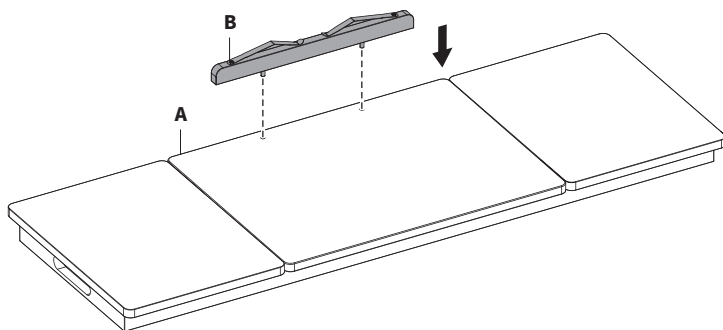


Side Platforms

ASSEMBLY STEPS

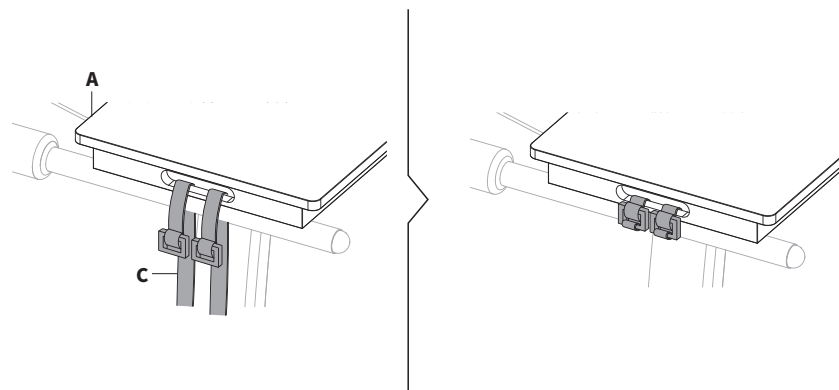
STEP 1

Secure the Platform Lip (**B**) to the front edge of Platform (**A**) by aligning the two dowels on Lip with the holes on Platform edge. Gently press the Lip into the Platform to secure.



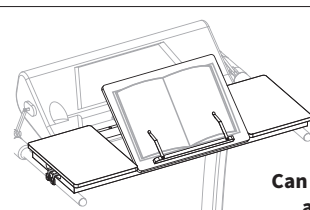
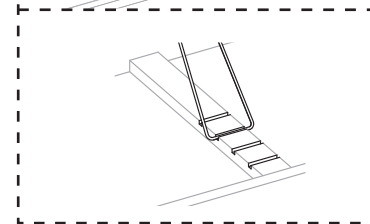
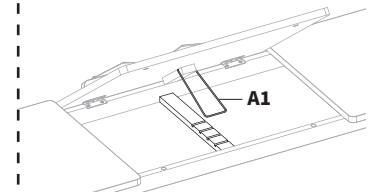
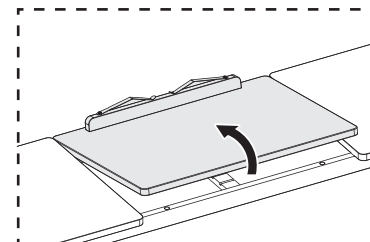
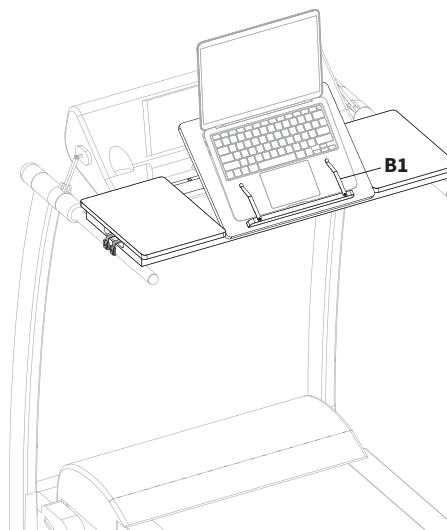
STEP 2

Place the Platform (**A**) onto arms of your treadmill. Fasten in place by inserting Straps (**C**) through the slots on the side of Platform and around the treadmill arms.



ADJUSTMENT

Place laptop onto tray, then rotate Clips (**B1**) to secure the laptop. To adjust the angle of the tray, lift up the back end of the tray and place the Kickstand (**A1**) into the notch of desired tray angle.



Can also be used as a book stand



Open **Monday - Friday 7:00am - 7:00pm** CST,
our dedicated support team can offer immediate assistance with rapid response times. If any parts are received damaged or defective, please contact us. We are happy to replace parts to ensure you have a fully functioning product.



309-278-5303

AVG. RESOLUTION TIME (*within office hrs*): **5M 4S**



www.vivo-us.com
Chat live with an agent!

AVG. RESOLUTION TIME (*within office hrs*): **< 15 M**



help@vivo-us.com

AVG. RESPONSE TIME (*within office hrs*): **1HR 8M**

- 23% within < 15m
- 38% within < 30m
- 61% within < 1hr
- 83% within < 2hr
- 92% within < 3hr