

Acrylic Speaker Floor Stands - 2 Pack

SKU: STAND-SP2A

Instruction Manual

Assembly Video & Product Info
www.vivo-us.com/products/stand-sp2a



! CAUTION! !

If you do not understand these directions, or if you have any doubts about the safety of the installation, please contact our product support team at 309-278-5303 or help@vivo-us.com for further assistance. Check carefully to make sure there are no missing or defective parts. Improper installation may cause damage or serious injury. Do not use this product for any purpose that is not explicitly specified in this manual. Do not exceed weight capacity. We cannot be liable for damage or injury caused by improper mounting, incorrect assembly or inappropriate use.



WARNING: CHOKING HAZARD

SMALL PARTS - NOT FOR CHILDREN UNDER 3 YEARS. ADULT SUPERVISION IS REQUIRED.



DO NOT EXCEED WEIGHT CAPACITY

FAILURE TO DO SO MAY RESULT IN SERIOUS INJURY.

We're Here for You

Open **Monday - Friday 7:00am - 7:00pm** CST, our dedicated support team can offer immediate assistance with rapid response times. If any parts are received damaged or defective, please contact us. We are happy to replace parts to ensure you have a fully functioning product.



Give us a Call:
309-278-5303

AVG. RESOLUTION TIME (*within office hrs*): **5M 4S**



Chat Us:
www.vivo-us.com

AVG. RESOLUTION TIME (*within office hrs*): **< 15 M**

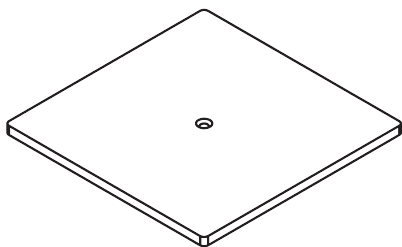


Email Us:
help@vivo-us.com

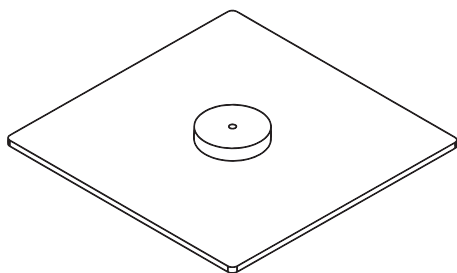
AVG. RESPONSE TIME (*within office hrs*): **1HR 8M**

- 23% within < 15m
- 38% within < 30m
- 61% within < 1hr
- 83% within < 2hr
- 92% within < 3hr

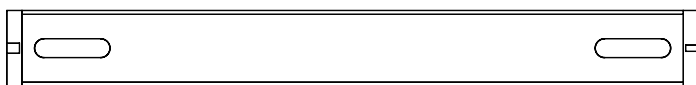
Package Contents



A (x2)
Base



B (x2)
Shelf



C (x2)
Post



D (x4)
Sheet of Pads

Included Hardware & Tools



S-A (x2)
M5x22mm
Screw



S-B (x2)
M8x20mm
Screws



T-A (x1)
Phillips
Screwdriver

Weight Capacity:

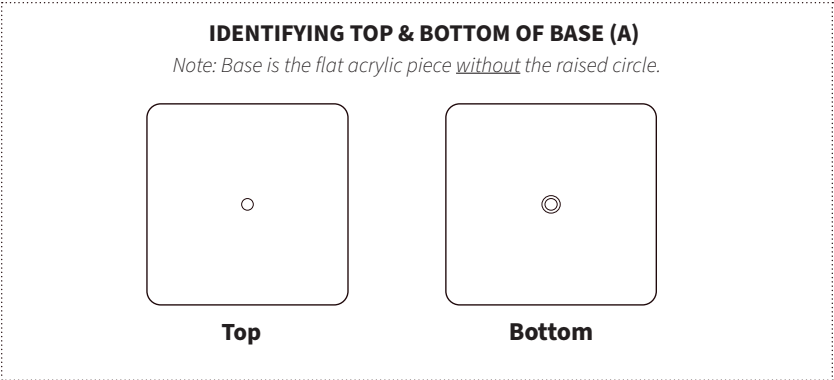
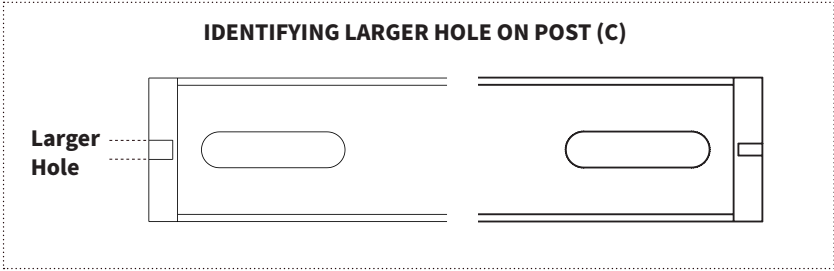
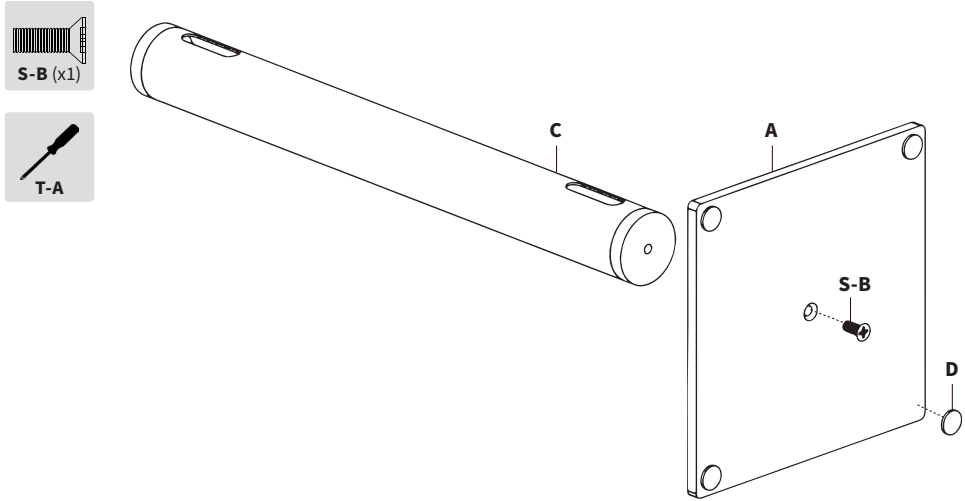


ASSEMBLY STEPS

STEP 1

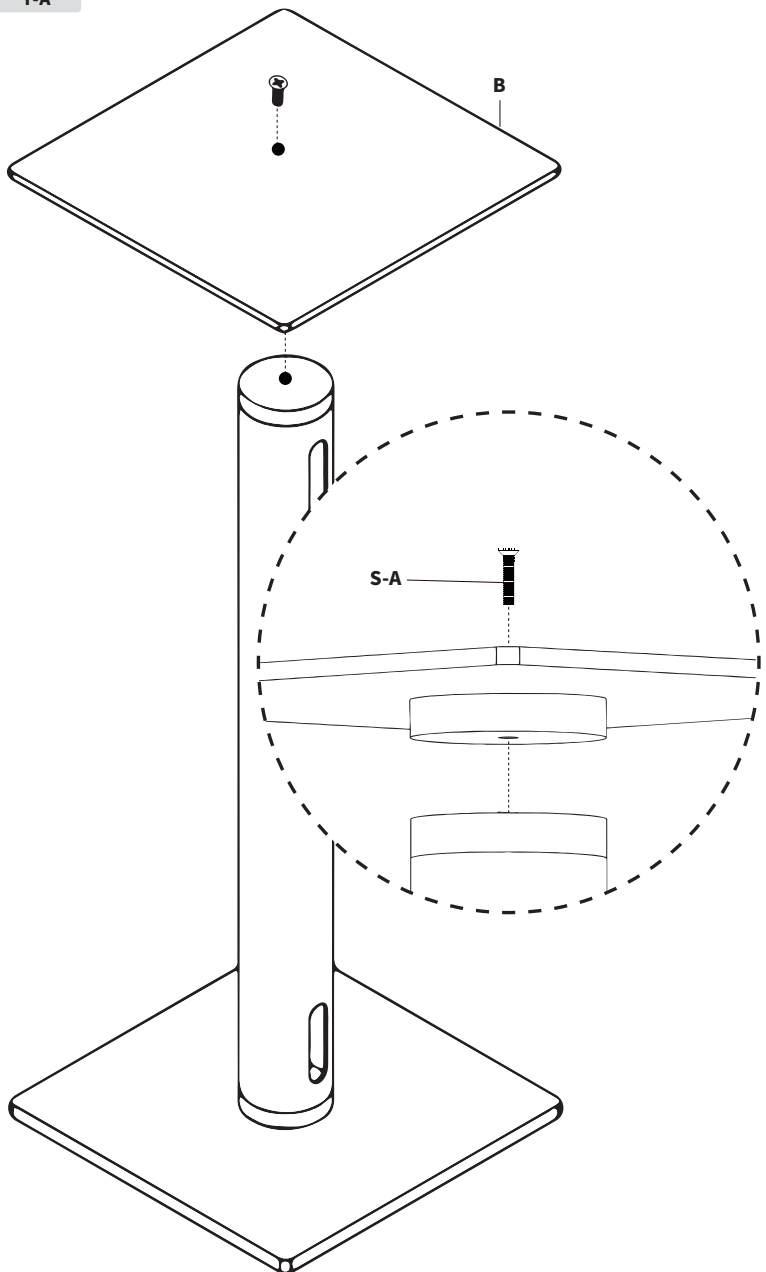
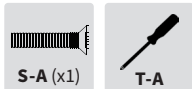
Identify the Base (A), which is the flat acrylic piece. Secure Post (C) to the top of Base (A), using M8x20mm Screw (S-B). Screw should be installed through the **Larger Hole** on the underside of the Base and into the **Larger Hole** on Post. Tighten with a Phillips screwdriver.

Install four Pads (D) to the bottom of Base (A) as shown.



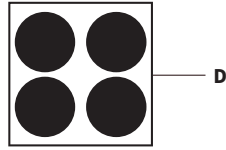
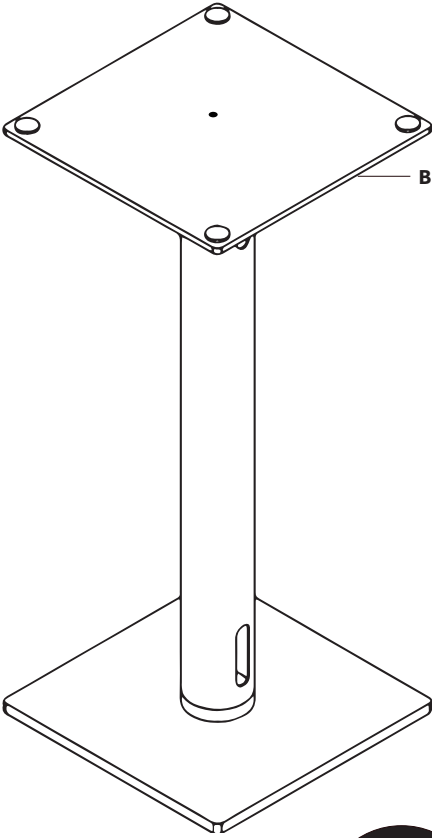
STEP 2

Secure Shelf (**B**) to the top of Post (**C**) using M5x22mm Screw (**S-A**) and Phillips Screwdriver (**T-A**).

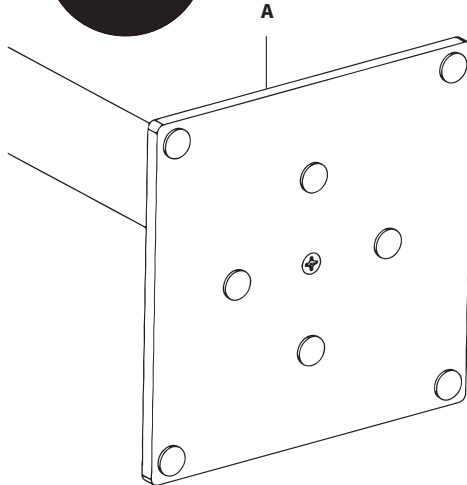


STEP 3

Apply remaining Pads (D) as desired to Shelf (B) or Base (A).



OR



[THIS PAGE INTENTIONALLY LEFT BLANK]

LAST UPDATED: 12/13/23

REV1

v1.0



Need Help? Get In Touch

Monday-Friday from 7:00am-7:00pm CST



help@vivo-us.com



www.vivo-us.com

Chat live with an agent!



309-278-5303



VIVO-us @vivo_us

FOR MORE GREAT VIVO PRODUCTS,
CHECK OUT OUR WEBSITE AT: WWW.VIVO-US.COM