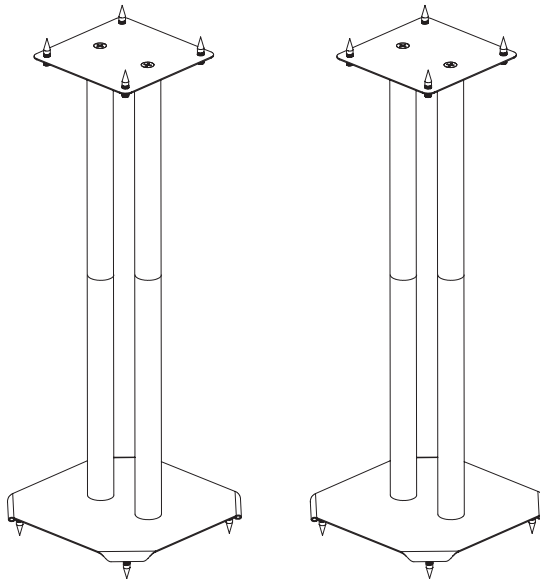


---

## Speaker Stand for Surround Sound Speakers - 2 Pack Instruction Manual



**SKU: STAND-SP03B**



Scan the QR code with your mobile device or follow the link for helpful videos and specifications related to this product.

<https://vivo-us.com/products/stand-sp03b>

---

**GET IN TOUCH** | Monday-Friday from 7:00am-7:00pm CST



help@vivo-us.com



www.vivo-us.com  
*Chat live with an agent!*



309-278-5303

# **WARNING!**

If you do not understand these directions, or if you have any doubts about the safety of the installation, please call a qualified technician. Check carefully to make sure there are no missing or defective parts. Improper installation may cause damage or serious injury. Do not use this product for any purpose that is not explicitly specified in this manual. Do not exceed weight capacity. We cannot be liable for damage or injury caused by improper mounting, incorrect assembly or inappropriate use.

## **TIPOVER WARNING**

SERIOUS OR FATAL CRUSHING INJURIES CAN OCCUR FROM TIPOVER. TO HELP PREVENT TIPOVER:

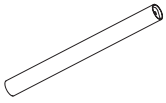
- NEVER ALLOW CHILDREN TO CLIMB, STAND, HANG, OR PLAY ON ANY PART OF SPEAKER OR STAND.
- USE TIPOVER RESTRAINT OR ANCHOR STAND TO WALL

**USE OF TIPOVER RESTRAINTS MAY ONLY REDUCE, BUT NOT ELIMINATE RISK OF TIPOVER.**

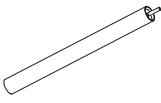
## **WARNING: CHOKING HAZARD**

SMALL PARTS - NOT FOR CHILDREN UNDER 3 YEARS. ADULT SUPERVISION IS REQUIRED.

### PACKAGE CONTENTS



**A (x4)**  
Bottom Pole



**B (x4)**  
Top Pole



**C (x2)**  
Base



**D (x2)**  
Shelf



**E (x8)**  
Pad



**S-A (x8)**  
M6x30mm Screw



**S-B (x8)**  
M6x15mm Screw



**S-C (x8)**  
M6x25



**S-D (x16)**  
M6 Nut



**T-A (x1)**  
4mm Allen Key

### TOOLS NEEDED



**Phillips  
Screwdriver**

**DO NOT EXCEED WEIGHT CAPACITY.**

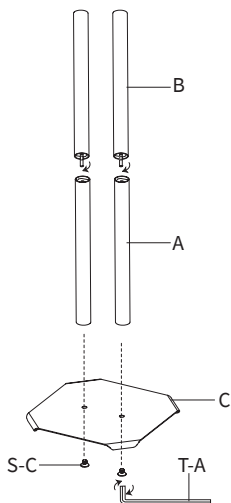
Failure to do so may result in serious injury.



# ASSEMBLY STEPS

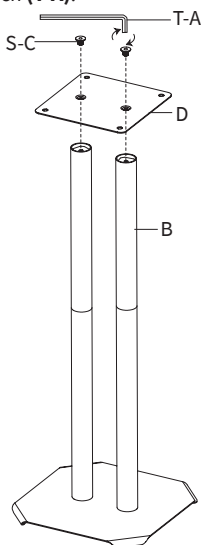
## STEP 1

Thread Top Poles (B) onto Bottom Poles (A). Secure the pole assemblies to Bases (C) using M6x25mm Screws (S-C) and 4mm Allen Wrench (T-A).



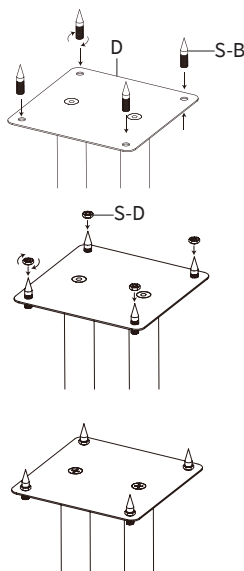
## STEP 2

Assemble Shelves (D) to Top Poles (B) using bolts M6x25mm Screws (S-C) and 4mm Allen Wrench (T-A).



## STEP 3

Thread M6x15mm Screws (S-B) into Shelves (D), and secure with M6 Nuts (S-D).

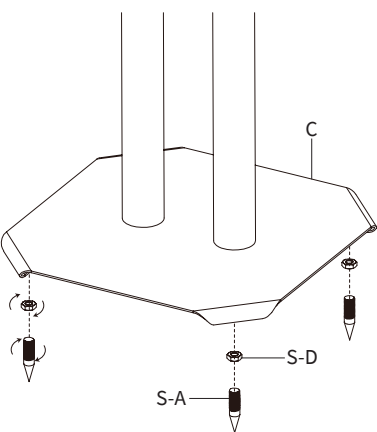


## STEP 4

### OPTION A

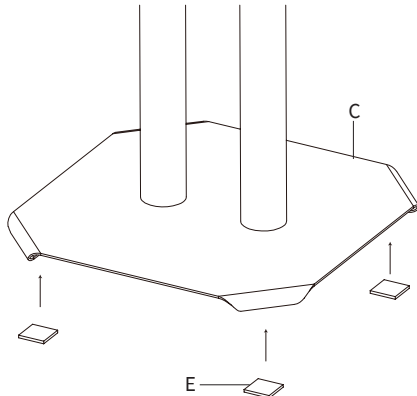
Thread M6x30mm Screws (S-A) into Base (C), and secure with M6 Nuts (S-D).

**NOTE:** Floor M6x15mm Screws (S-B) can be adjusted to level the stand.



### OPTION B

Remove adhesive backing from Pads (E) and place them in the corners of Base (C).





Open **Monday - Friday 7:00am - 7:00pm** CST,  
our dedicated support team can offer immediate assistance with rapid response times. If any parts are received damaged or defective, please contact us. We are happy to replace parts to ensure you have a fully functioning product.



309-278-5303

**AVG. RESOLUTION TIME** (*within office hrs*): **5M 4S**



[www.vivo-us.com](http://www.vivo-us.com)  
*Chat live with an agent!*

**AVG. RESOLUTION TIME** (*within office hrs*): **< 15 M**



[help@vivo-us.com](mailto:help@vivo-us.com)

**AVG. RESPONSE TIME** (*within office hrs*): **1HR 8M**

- 23% within < 15m
- 38% within < 30m
- 61% within < 1hr
- 83% within < 2hr
- 92% within < 3hr