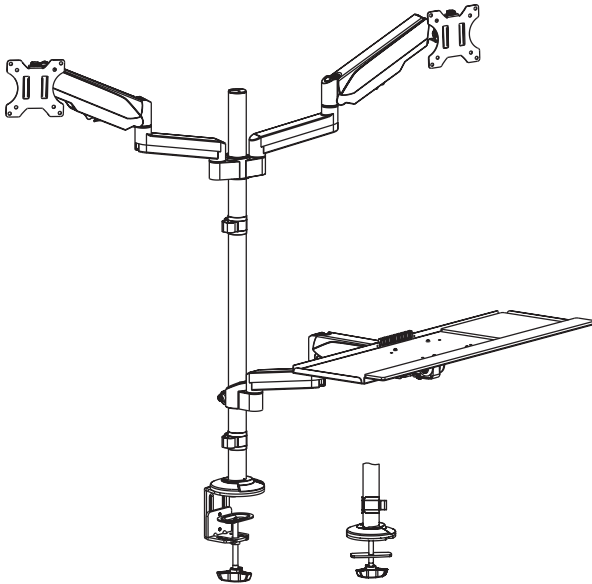


Sit to Stand Dual Monitor Desk Mount Workstation Instruction Manual



SKU: STAND-SIT2B



Scan the QR code with your mobile device or follow the link for helpful videos and specifications related to this product.

<https://vivo-us.com/products/stand-sit2b>

GET IN TOUCH | Monday-Friday from 7:00am-7:00pm CST



help@vivo-us.com



www.vivo-us.com
Chat live with an agent!



309-278-5303

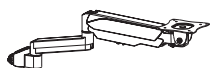
WARNING!

If you do not understand these directions, or if you have any doubts about the safety of the installation, please call a qualified technician. Check carefully to make sure there are no missing or defective parts. Improper installation may cause damage or serious injury. Do not use this product for any purpose that is not explicitly specified in this manual. Do not exceed weight capacity. We cannot be liable for damage or injury caused by improper mounting, incorrect assembly or inappropriate use.

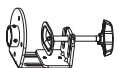
WARNING: CHOKING HAZARD

SMALL PARTS - NOT FOR CHILDREN UNDER 3 YEARS. ADULT SUPERVISION IS REQUIRED.

PACKAGE CONTENTS



A (x1)
Keyboard
Mount



B (x1)
Clamp



C (x1)
Grommet
Base



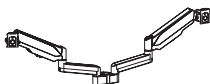
D (x1)
Grommet
Plate



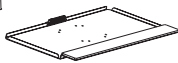
E (x1)
Decorative Cover



F (x2)
VESA Plate



G (x1)
Arm Mount



H (x1)
Keyboard Tray



I (x1)
Pad



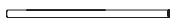
J (x2)
Cable Clip



K (x5)
Rubber Pad



L (x2)
Thumbscrew



M (x1)
Pole



N (x4)
Nut



O (x4)
Bolt



P (x1)
3mm Allen Key



Q (x1)
6mm Allen Key



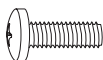
R (x1)
Wrench



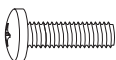
M-A (x8)
M4x12



M-B (x8)
M4x16



M-C (x8)
M5x12



M-D (x8)
M5x16



M-E (x8)
D5 Washer



M-F (x8)
Spacer

NOTE: NOT ALL HARDWARE INCLUDED WILL BE USED

TOOLS NEEDED



DO NOT EXCEED WEIGHT CAPACITY.
Failure to do so may result in serious injury.

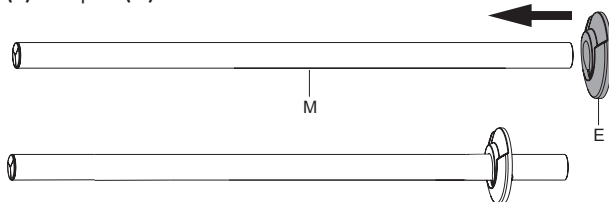


KEYBOARD TRAY

ASSEMBLY STEPS

STEP 1

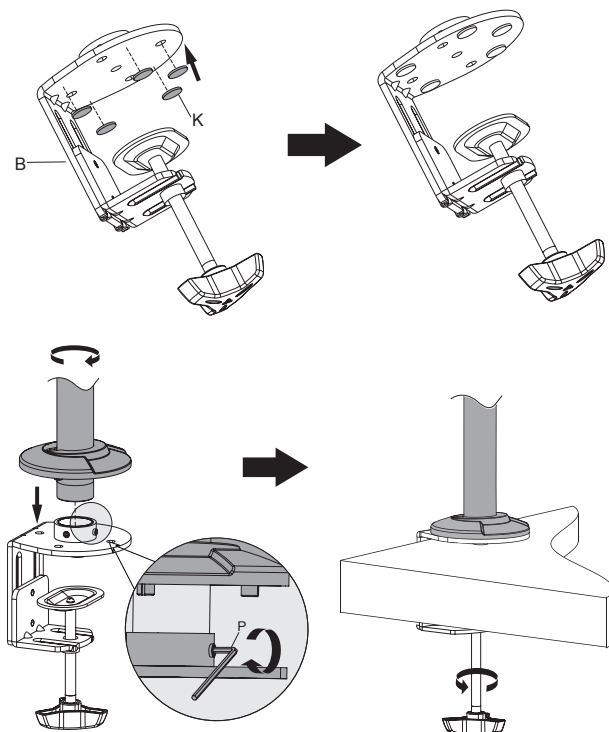
Slide base cover (E) over pole (M).



STEP 2

OPTION A: Clamp Installation

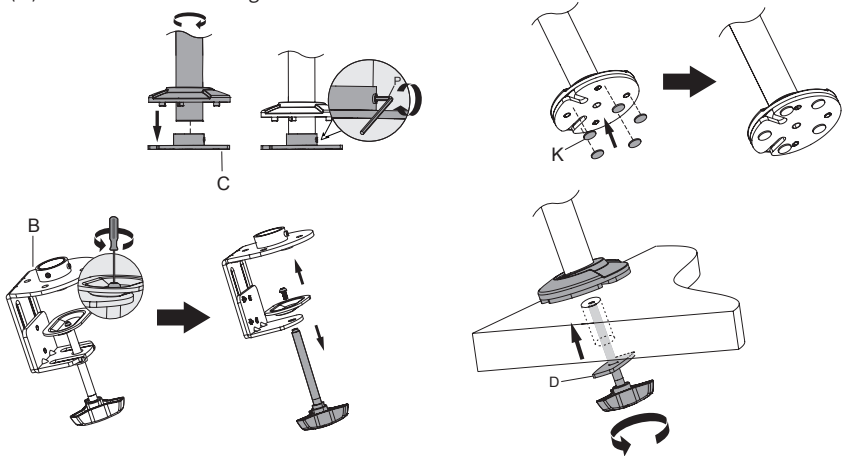
Attach five rubber pads (K) to clamp (B). Secure pole (M) to clamp (B) by tightening grub screw in the clamp using 3mm Allen key (P). Secure clamp to the desktop.



STEP 2 (Continued)

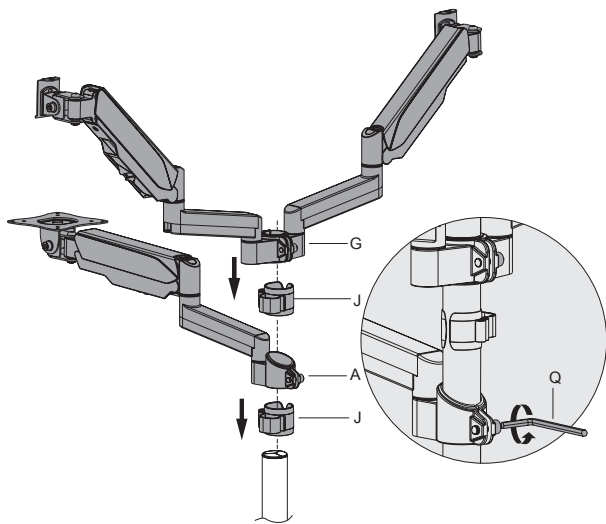
OPTION B: Grommet Installation

If you are securing the stand to the desktop without clamp (B), use existing grommet hole, or drill a 3/8" (10mm) hole. Attach base (C) to pole (M). Tighten grub screws in base (C) using 3mm Allen key (P). Attach five rubber pads (K) to the bottom of base (C). Remove screw from top of bolt in clamp (B) using Phillips screwdriver. Remove hand bolt from clamp and use with Support Plate (D) to attach pole (M) to desk as shown in diagram.



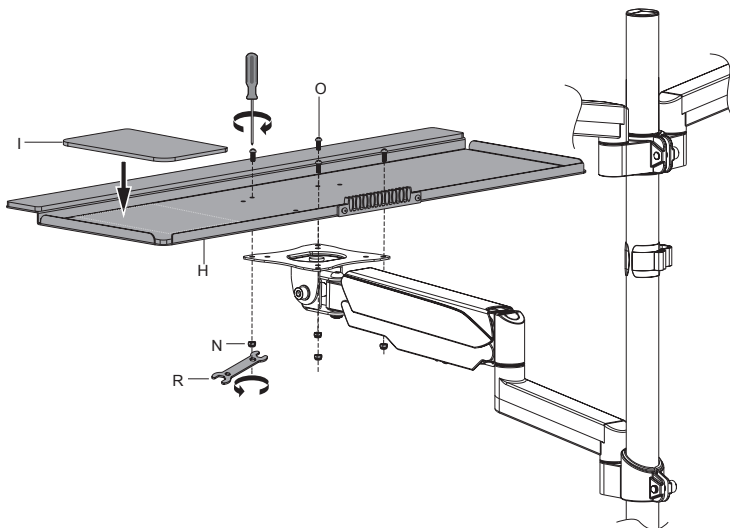
STEP 3

Slide cable management clips (J), keyboard arm (A), second cable clip (J), then monitor arms (G) over top of pole (M) as shown in diagram. Secure both arms using 6mm Allen key (Q).



STEP 3 (Continued)

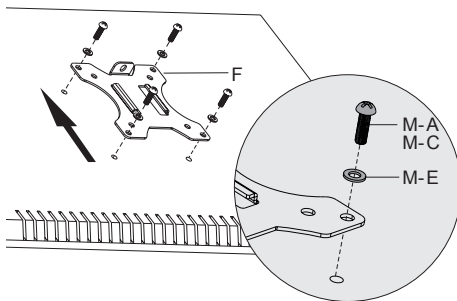
Attach keyboard tray (**H**) to arm (**A**) using four bolts (**O**) and four nuts (**N**). Tighten using wrench (**R**) and Phillips screwdriver. Place pad (**I**) on left or right side of keyboard tray (**H**).



STEP 4

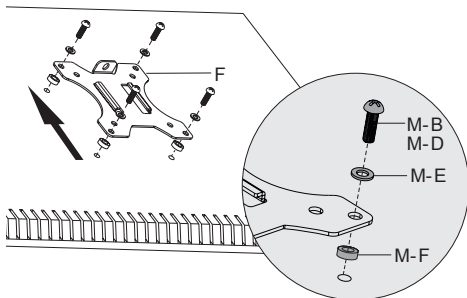
OPTION A: Flat Back Monitor

Attach VESA plates (**F**) to back of monitors using bolts (**M-A, M-C**) and washers (**M-E**).



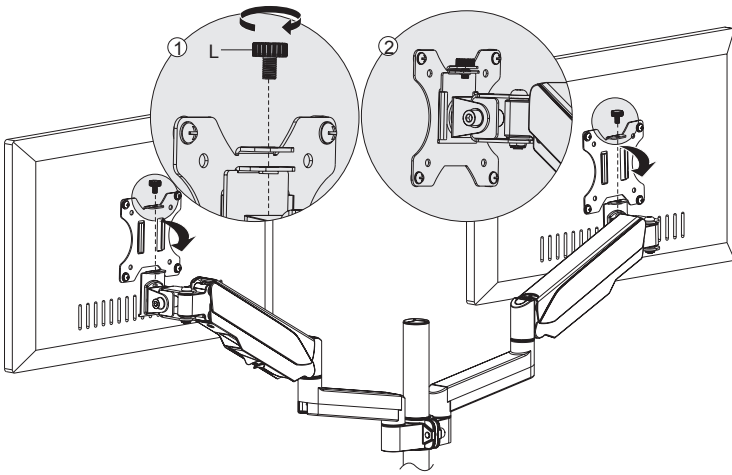
OPTION B: Curved Back Monitor

Attach VESA plates (**F**) to back of monitors using bolts (**M-B, M-D**), washers (**M-E**), and spacers (**M-F**).



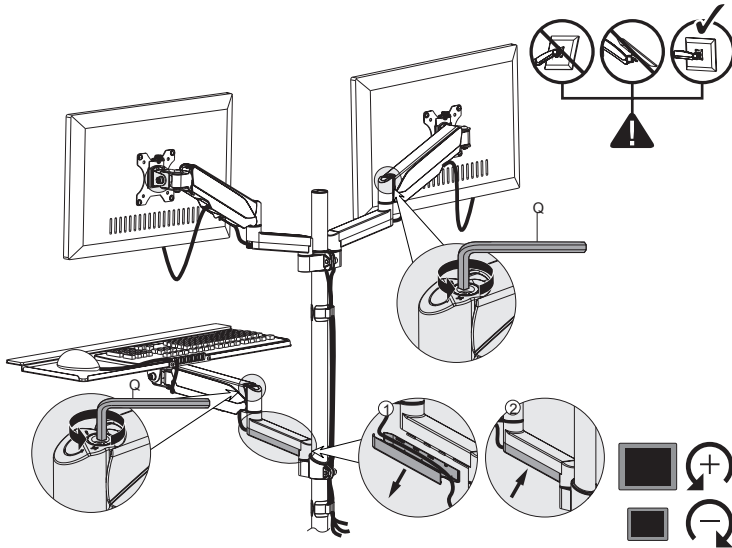
STEP 5

Slide monitors with VESA plates (F) onto monitors arms (G). Secure using thumb screws (L).



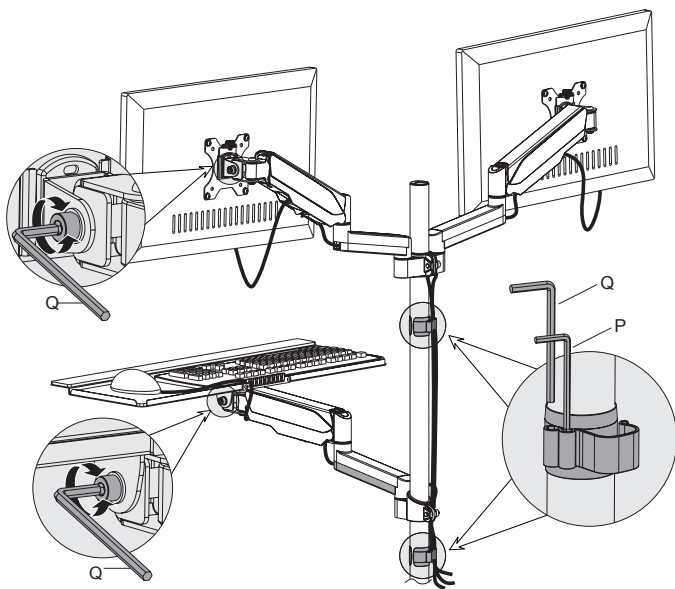
STEP 6

Adjust the tension of monitor and keyboard arms using 6mm Allen key (Q). Remove the bottom covers as shown. Place cables into covers, then reattach to arms. Use cable management clips (J) to further organize cables.

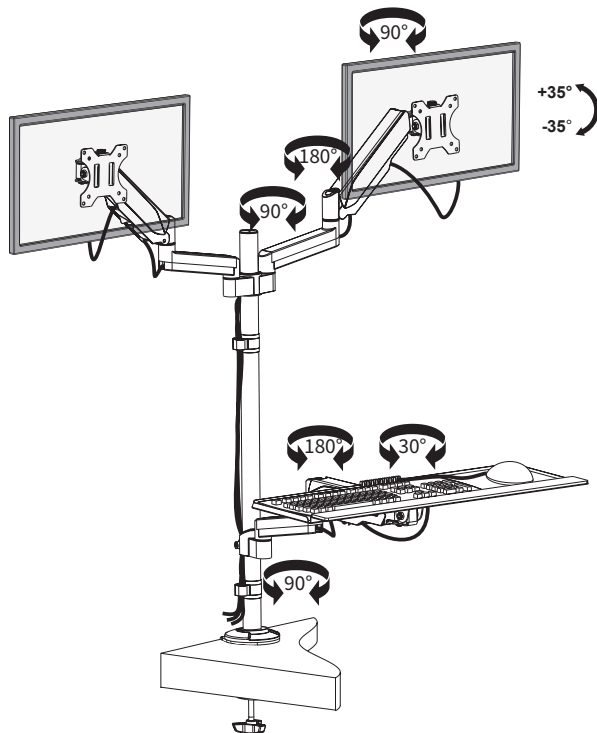


STEP 7

Adjust tension of tilt joints using 6mm Allen key (**Q**) to hold monitor and keyboard at desired angles. Store Allen keys (**Q, P**) in clips.



Adjust as Desired





Open **Monday - Friday 7:00am - 7:00pm** CST,

our dedicated support team can offer immediate assistance with rapid response times. If any parts are received damaged or defective, please contact us. We are happy to replace parts to ensure you have a fully functioning product.


 help@vivo-us.com

AVG. RESPONSE TIME (*within office hrs*): **1HR 8M**

- 23% within < 15m
- 38% within < 30m
- 61% within < 1hr
- 83% within < 2hr
- 92% within < 3hr

 www.vivo-us.com
Chat live with an agent!

AVG. RESOLUTION TIME (*within office hrs*): **< 15 M**

 309-278-5303

AVG. RESOLUTION TIME (*within office hrs*): **5M 4S**