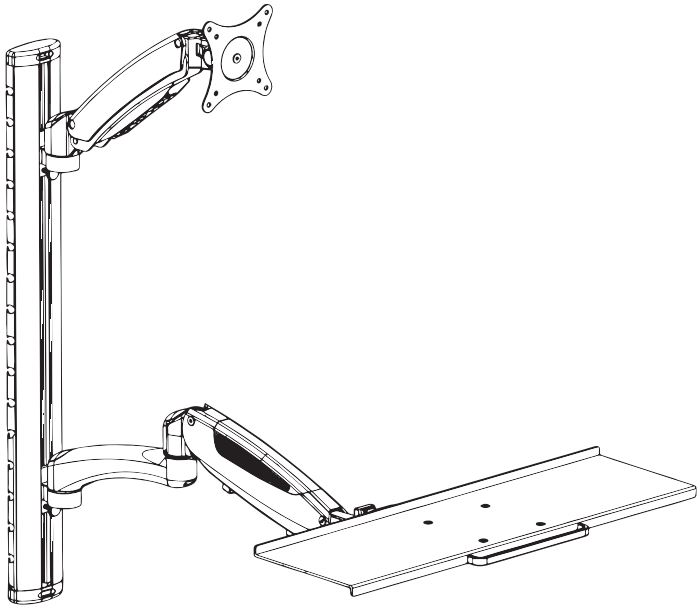




Sit to Stand Single Monitor Wall Mount Workstation Instruction Manual



SKU: STAND-SIT1K



Scan the QR code with your mobile device or follow the link for helpful videos and specifications related to this product.

<https://vivo-us.com/products/stand-sit1k>

GET IN TOUCH | Monday-Friday from 7:00am-7:00pm CST



help@vivo-us.com



www.vivo-us.com
Chat live with an agent!



309-278-5303

⚠️ WARNING!

If you do not understand these directions, or if you have any doubts about the safety of the installation, please call a qualified technician. Check carefully to make sure there are no missing or defective parts. Improper installation may cause damage or serious injury. Do not use this product for any purpose that is not explicitly specified in this manual. Do not exceed weight capacity. We cannot be liable for damage or injury caused by improper mounting, incorrect assembly or inappropriate use.

⚠️ TIPOVER WARNING

SERIOUS OR FATAL CRUSHING INJURIES CAN OCCUR FROM TIPOVER. TO HELP PREVENT TIPOVER:

- NEVER ALLOW CHILDREN TO CLIMB, STAND, HANG, OR PLAY ON ANY PART OF MONITOR OR STAND.
- USE TIPOVER RESTRAINT OR ANCHOR STAND TO WALL

USE OF TIPOVER RESTRAINTS MAY ONLY REDUCE, BUT NOT ELIMINATE RISK OF TIPOVER.

⚠️ WARNING: CHOKING HAZARD

SMALL PARTS - NOT FOR CHILDREN UNDER 3 YEARS. ADULT SUPERVISION IS REQUIRED.

PACKAGE CONTENTS



A (x1)
Arm



B (x1)
Keyboard Tray



C (x1)
Wall Mount



D (x1)
Swivel Arm



E (x1)
Mount Fitting



F (x1)
Keyboard Tray
Assembly



G (x1)
Arm



H (x3)
Cap



I (x2)
Wall Mount
Cap



S-A (x4)
M4x12mm Screw



S-B (x2)
M6x15mm Screw



S-C (x1)
M5x18mm Screw



S-D (x4)
M5 Nut



S-E (x1)
Washer



S-F (x3)
M6x25mm Screw



S-G (x5)
Velcro Pad



S-H (x3)
Anchor



S-I (x3)
M6x50mm Screw



S-J (x4)
M5x10mm Screw



T-A (x1)
3mm Allen
Wrench



T-B (x1)
4mm Allen
Wrench



T-C (x1)
5mm Allen
Wrench

NOTE: NOT ALL HARDWARE INCLUDED WILL BE USED

TOOLS NEEDED



DO NOT EXCEED WEIGHT CAPACITY.

Failure to do so may result in serious injury.

17.5lbs
(7.94kg)



CAUTION!

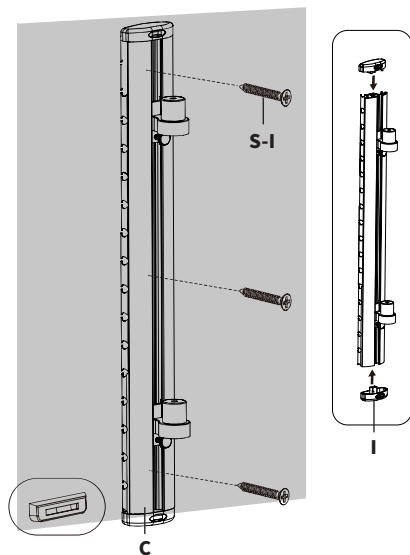
DO NOT INSTALL INTO DRYWALL ALONE. VERIFY YOUR WALL CONSTRUCTION. USE WOOD STUDS TO MOUNT. We include mounting for brick and concrete walls. If unsure, please contact us at vivo-us.com, email at help@vivo-us.com, or call us at 309-278-5303.

ASSEMBLY STEPS

STEP 1

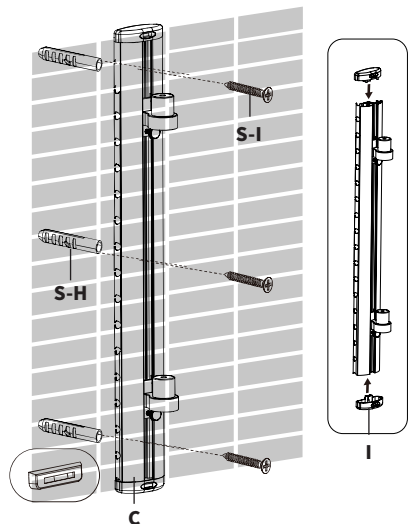
OPTION A: Wood Stud Mounting

Find the stud in wall where stand will be attached. Use the Wall Mount (C) to mark mounting location. Using a 3mm bit, drill approximately 1.2" into stud. Using M6x50mm Screws (S-I), secure the Wall Mount (C) in place. Insert Wall Mount Caps (I) into either side of Wall Mount (C).



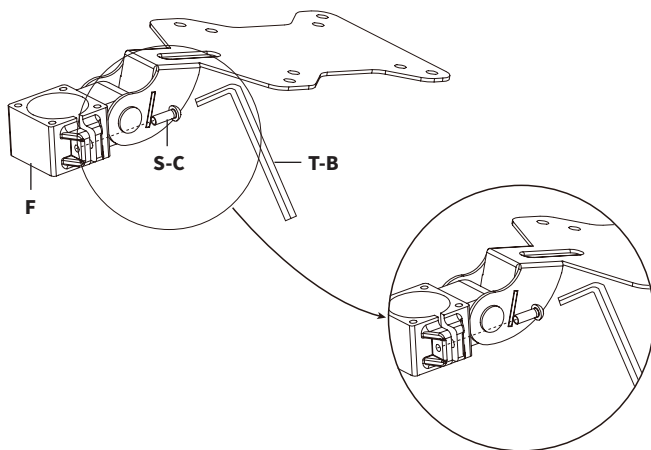
OPTION B: Concrete Wall Mounting

For concrete walls, use the Wall Mount (C) to mark the mounting location. Using a 8mm bit, drill approximately 2.6" into wall. Use Concrete Anchors (S-H) and Using M6x50mm Screws (S-I), secure the Wall Mount (C) in place. Insert Wall Mount Caps (I) into either side of Wall Mount (C).



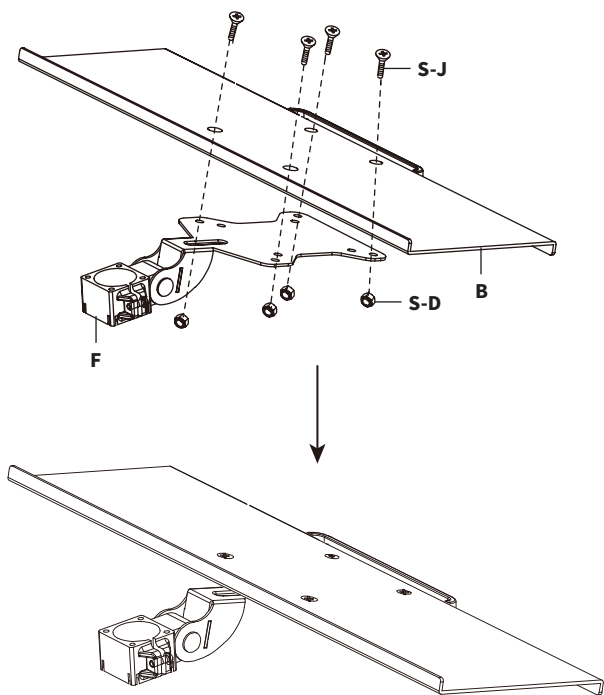
STEP 2

Use the 4mm Allen Wrench (**T-B**) to attach M5x18mm Screw (**S-C**) to Keyboard Tray Assembly (**F**) as shown (do not tighten).



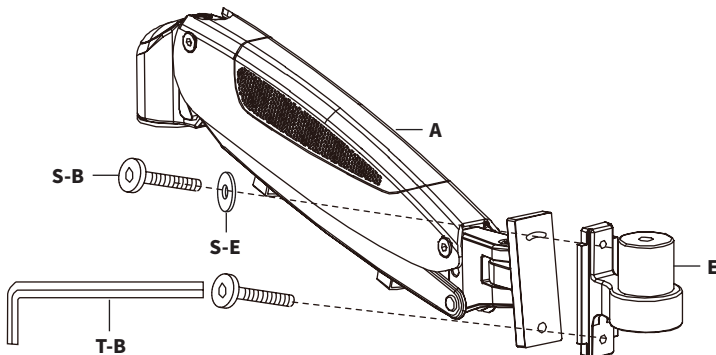
STEP 3

Using M5x10mm Screws (**S-J**) and M6 Nuts (**S-D**), attach Keyboard Tray (**B**) to Keyboard Tray Assembly (**F**) as shown.

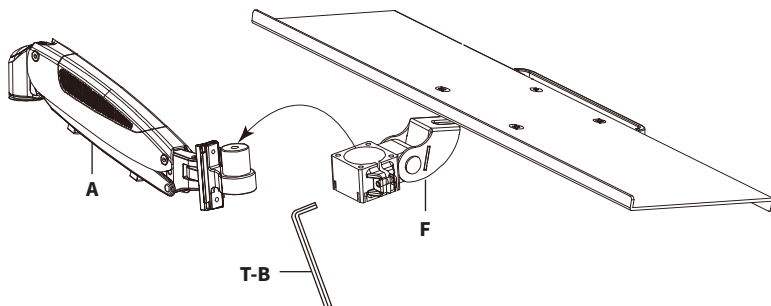


STEP 4

Attach Mount Fitting (**E**) to Arm (**A**) using M6x15mm Screws (**S-B**) and Washer (**S-E**). Use Washer (**S-E**) with top screw inserted through slot. Tighten the M6x15mm Screws (**S-B**) using the 4mm Allen Wrench (**T-B**).

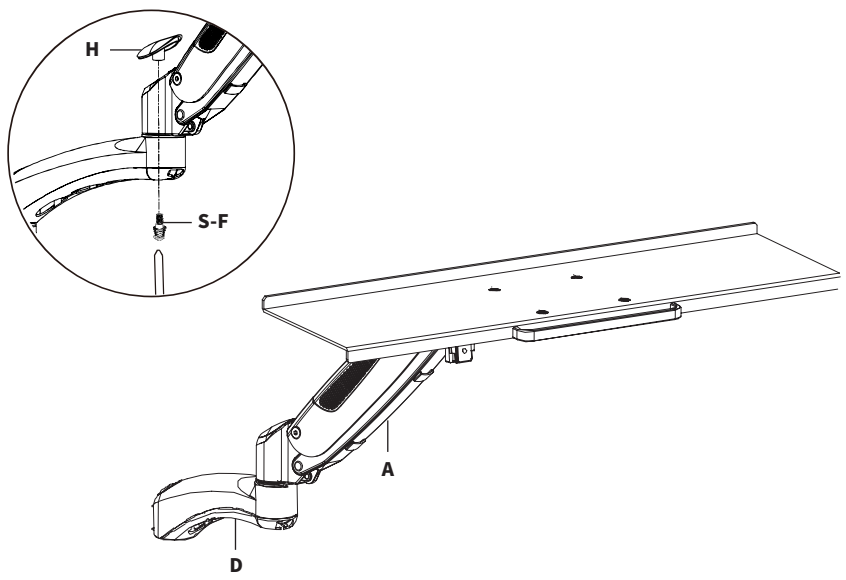


Attach Keyboard Tray Assembly (**F**) to Arm (**A**). Use 4mm Allen Wrench (**T-B**) to tighten the screw on the bracket.

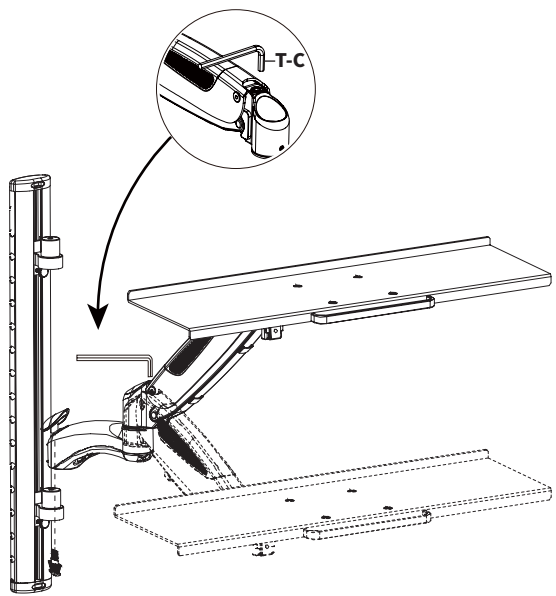


STEP 5

Attach Arm (A) to Swivel Arm (D) using M6x25mm Screw (S-F) and Cap (H). Adjust using 3mm Allen Wrench (T-A). Secure to Wall Mount (C) using the M6x25mm Screw (S-F) and Cap (H).

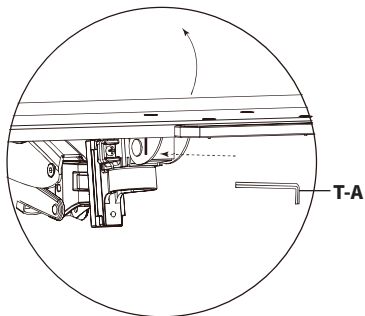
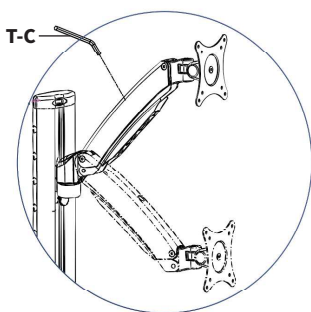
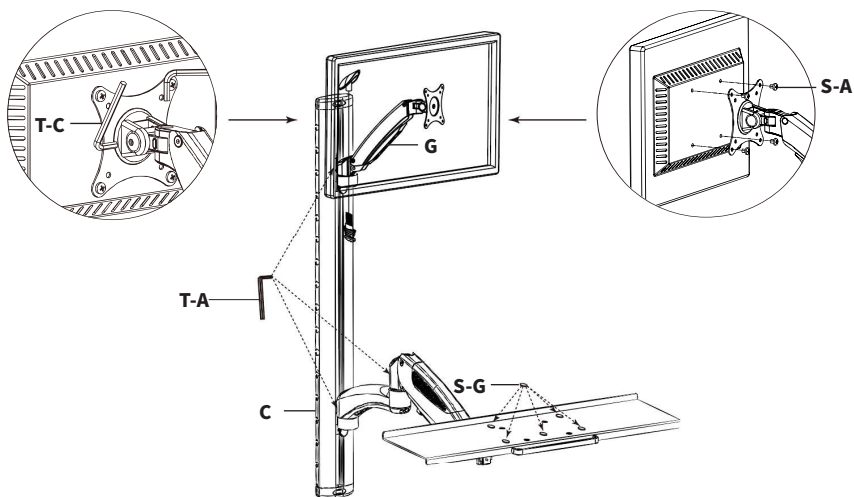


NOTE: Turn clockwise to reduce tension for lighter keyboards and counter-clockwise to increase tension for heavier keyboards using 5mm Allen Wrench (T-C).




STEP 6

Mount monitor to Arm (**G**) using M4x12mm Screw (**S-A**). Attach Arm (**G**) to Wall Mount (**C**). Adjust to proper tension. Mount monitor to Arm (**G**) using M4x12mm Screws (**S-A**). Attach Velcro Pads (**S-G**) to keyboard tray. Use 5mm Allen Wrench (**T-C**) to adjust the tension of the Arm (**G**). Adjust keyboard tray minimum tilt angle by turning the set screw under the joint counter-clockwise with the 3mm Allen Wrench (**T-A**).





Open **Monday - Friday 7:00am - 7:00pm** CST,
our dedicated support team can offer immediate assistance with rapid response times. If any parts are received damaged or defective, please contact us. We are happy to replace parts to ensure you have a fully functioning product.

 309-278-5303

AVG. RESOLUTION TIME (*within office hrs*): **5M 4S**

 www.vivo-us.com
Chat live with an agent!

AVG. RESOLUTION TIME (*within office hrs*): **< 15 M**

 help@vivo-us.com

AVG. RESPONSE TIME (*within office hrs*): **1HR 8M**

- 23% within < 15m
- 38% within < 30m
- 61% within < 1hr
- 83% within < 2hr
- 92% within < 3hr