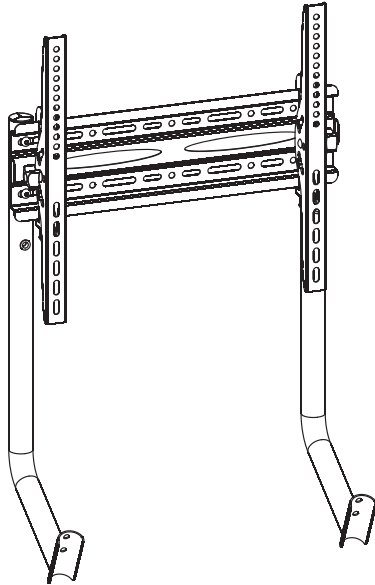


---

## TV Mount for STAND-RACE1B

Instruction Manual



**SKU: STAND-RACE1TV**



Scan the QR code with your mobile device or follow the link for helpful videos and specifications related to this product.

<https://vivo-us.com/products/stand-race1tv>

---

GET IN TOUCH | Monday-Friday from 7:00am-7:00pm CST



help@vivo-us.com



www.vivo-us.com  
*Chat live with an agent!*



309-278-5303

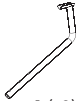
# **WARNING!**

If you do not understand these directions, or if you have any doubts about the safety of the installation, please call a qualified technician. Check carefully to make sure there are no missing or defective parts. Improper installation may cause damage or serious injury. Do not use this product for any purpose that is not explicitly specified in this manual. Do not exceed weight capacity. We cannot be liable for damage or injury caused by improper mounting, incorrect assembly or inappropriate use.

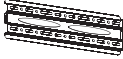
## **WARNING: CHOKING HAZARD**

SMALL PARTS - NOT FOR CHILDREN UNDER 3 YEARS. ADULT SUPERVISION IS REQUIRED.

### PACKAGE CONTENTS



**A** (x2)  
Support Bar



**B** (x1)  
Support Plate



**C** (x1)  
Right VESA  
Bracket



**D** (x1)  
Left VESA  
Bracket



**E** (x2)  
Cable Clip



**F** (x4)  
Cable Ties



**S-A** (x4)  
M8x16mm  
Screws



**M-A** (x4)  
M6x14mm  
Screw



**M-B** (x4)  
M8x16mm  
Screw



**M-C** (x4)  
M6x30mm  
Screw



**M-D** (x4)  
M8x35mm  
Screw



**M-E** (x4)  
M8 Washer



**M-F** (x4)  
Small Spacer



**M-G** (x4)  
Larger Spacer



**T-A** (x1)  
5mm Allen  
Wrench

**NOTE: SOME HARDWARE MAY NOT BE USED**

### TOOLS NEEDED



**DO NOT EXCEED WEIGHT CAPACITY.**

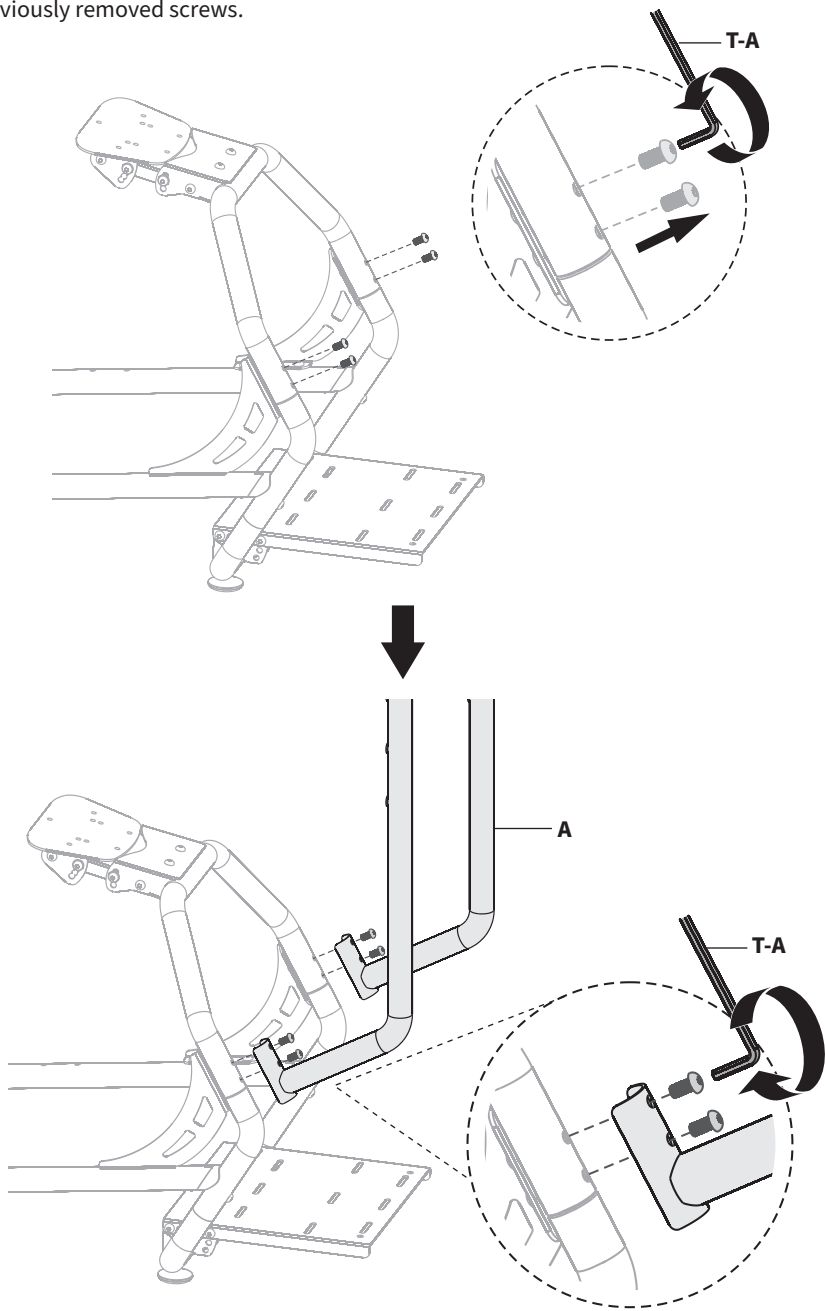
Failure to do so may result in serious injury.



## ASSEMBLY STEPS

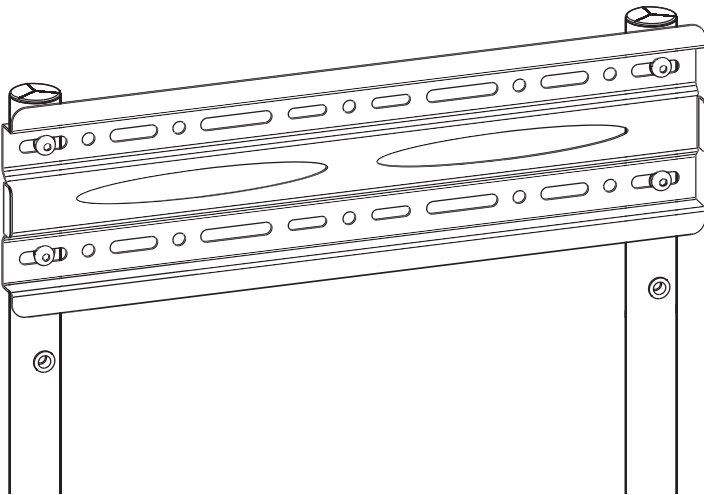
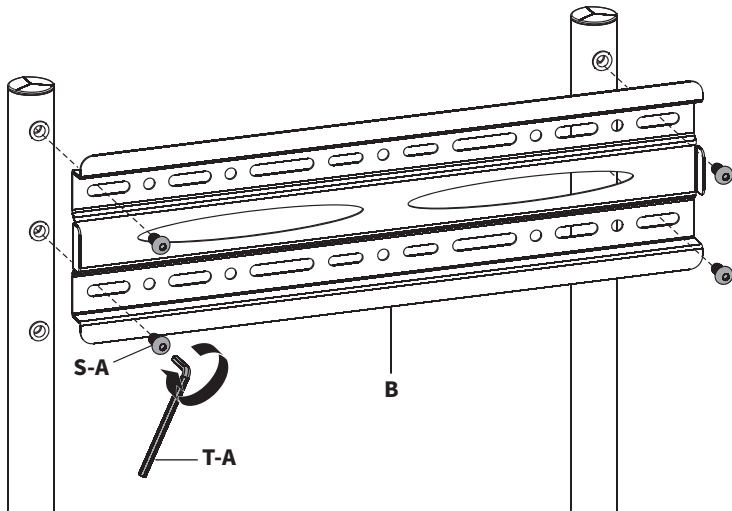
### STEP 1

Remove existing four screws from STAND-RACE1B front frame support as shown below using 5mm Allen Wrench (**T-A**). Install Support Bars (**A**) to the front frame support using the previously removed screws.



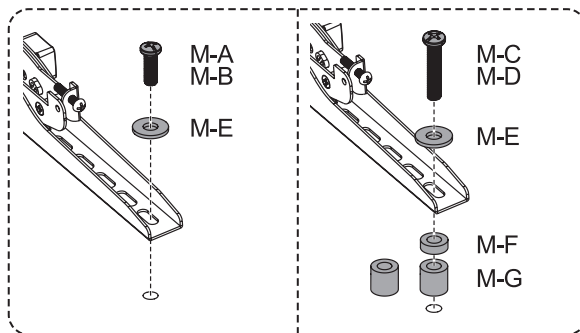
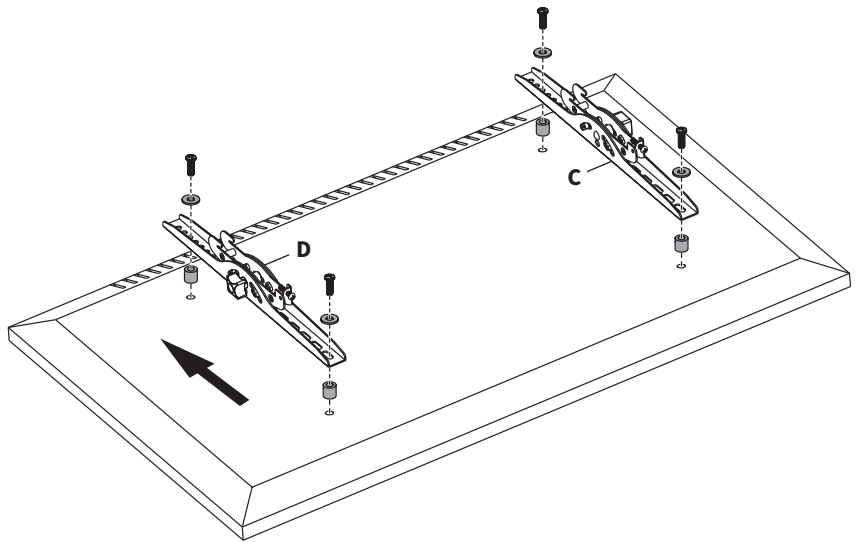
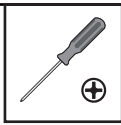
## STEP 2

Assemble Support Plate (B) to Support Bars (A) using M8x16mm Screws (S-A) and provided 5mm Allen Wrench (T-A).



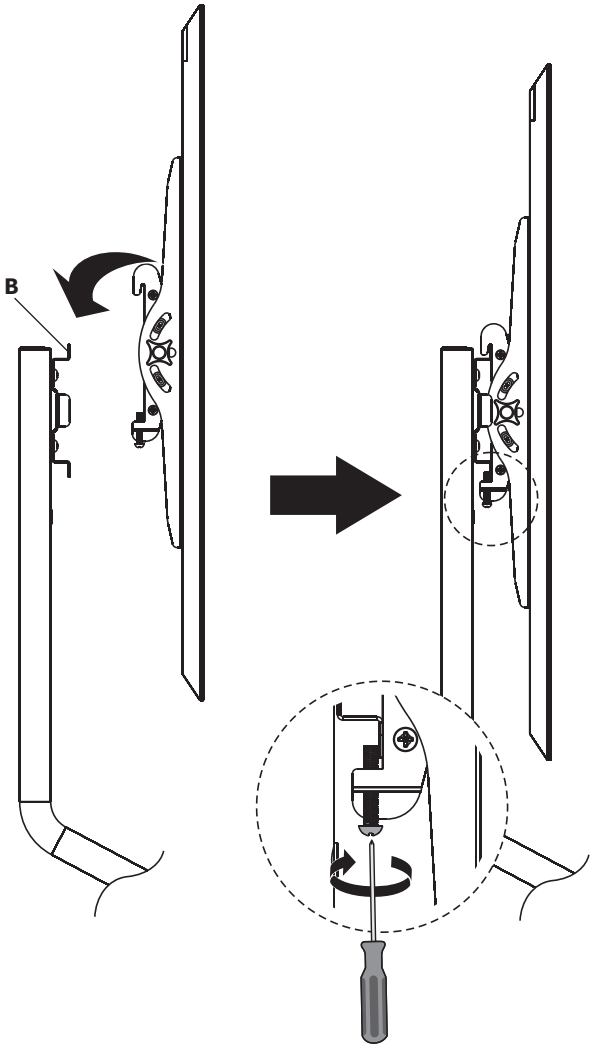
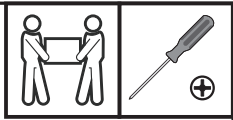
### STEP 3

Assemble Left TV Bracket (**D**) and Right TV Bracket (**C**) to the back of the television using Screws (**M-A through M-D**) with Washer (**M-E**) and Spacer (**M-F, M-G**).



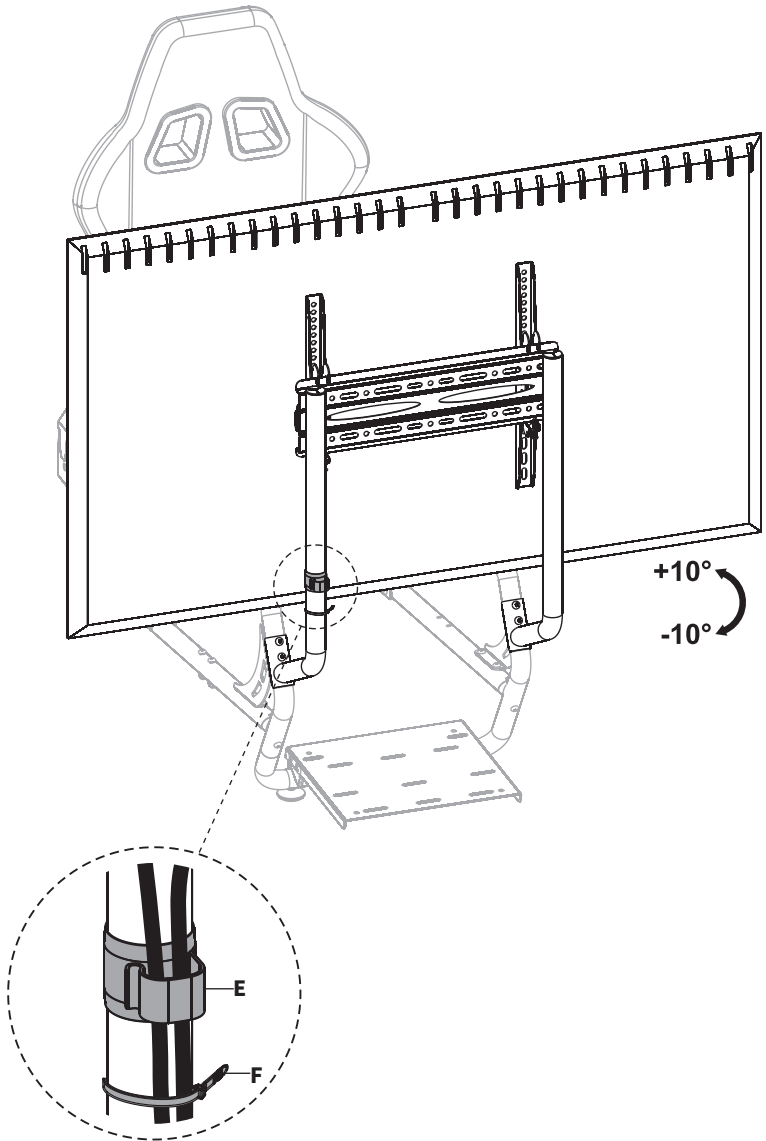
# STEP 4

Hang Left TV Bracket (**D**) and Right TV Bracket (**C**) with display onto Support Plate (**B**). Turn the security screws on the underside of the brackets clockwise to secure them in place.



## STEP 5

Secure cables using Cable Clips (**E**) and Cable Ties (**F**).





Love your new VIVO setup and want to share?  
Tag us in your photo! [@vivo\\_us](#)

LAST UPDATED: 02/06/2023  
REV1.1



Open **Monday - Friday 7:00am - 7:00pm** CST,  
our dedicated support team can offer immediate assistance with rapid response times. If any parts are received damaged or defective, please contact us. We are happy to replace parts to ensure you have a fully functioning product.



309-278-5303

**AVG. RESOLUTION TIME** (*within office hrs*): **5M 4S**



[www.vivo-us.com](http://www.vivo-us.com)  
*Chat live with an agent!*

**AVG. RESOLUTION TIME** (*within office hrs*): **< 15 M**



[help@vivo-us.com](mailto:help@vivo-us.com)

**AVG. RESPONSE TIME** (*within office hrs*): **1HR 8M**  
- 23% within < 15m  
- 38% within < 30m  
- 61% within < 1hr  
- 83% within < 2hr  
- 92% within < 3hr

FOR MORE VIVO PRODUCTS, CHECK OUT OUR WEBSITE AT: [www.vivo-us.com](http://www.vivo-us.com)