

Racing Simulator Cockpit

SKU: STAND-RACE1B/BL
Instruction Manual

Assembly Video & Product Info
www.vivo-us.com/products/stand-race1b



! CAUTION! !

If you do not understand these directions, or if you have any doubts about the safety of the installation, please contact our product support team at 309-278-5303 or help@vivo-us.com for further assistance. Check carefully to make sure there are no missing or defective parts. Improper installation may cause damage or serious injury. Do not use this product for any purpose that is not explicitly specified in this manual. Do not exceed weight capacity. We cannot be liable for damage or injury caused by improper mounting, incorrect assembly or inappropriate use.



WARNING: CHOKING HAZARD

SMALL PARTS - NOT FOR CHILDREN UNDER 3 YEARS. ADULT SUPERVISION IS REQUIRED.



DO NOT EXCEED WEIGHT CAPACITY

FAILURE TO DO SO MAY RESULT IN SERIOUS INJURY.

We're Here for You

Open **Monday - Friday 7:00am - 7:00pm** CST,
our dedicated support team can offer immediate assistance with rapid response times. If any parts are received damaged or defective, please contact us. We are happy to replace parts to ensure you have a fully functioning product.



Give us a Call:

309-278-5303

AVG. RESOLUTION TIME (*within office hrs*): **5M 4S**



Chat Us:

www.vivo-us.com

AVG. RESOLUTION TIME (*within office hrs*): **< 15 M**



Email Us:

help@vivo-us.com

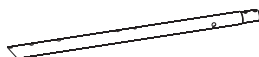
AVG. RESPONSE TIME (*within office hrs*): **1HR 8M**

- 23% within < 15m
- 38% within < 30m
- 61% within < 1hr
- 83% within < 2hr
- 92% within < 3hr

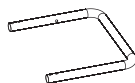
Package Contents



A (x1)
Front Support
Frame



B (x2)
Side Support Bar



C (x1)
Rear Support Bar



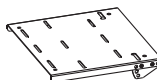
D (x2)
Support Bar
Spacer



E (x1)
Right Brace



F (x1)
Left Brace



G (x1)
Footrest



H (x1)
Wheel Mount



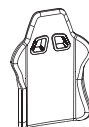
I (x1)
Right Chair
Support with Lock



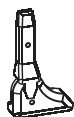
J (x1)
Left Chair
Support



K (x1)
Chair Seat



L (x1)
Chair Back



M (x1)
Right Side
Cover



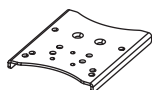
N (x1)
Left Side
Cover



O (x4)
Foot Pad



P (x1)
Shifter Support Bar



Q (x1)
Shifter Mount



R (x4)
Cable Clip



S (x6)
Ziptie

Included Hardware & Tools



S-A (x4)
Spacer



S-B (x4)
M8x30mm Hex
Head Screw with
Washers



S-C (x4)
M5x8mm
Screw



S-D (x22)
M8x16mm
Screws



S-E (x4)
M8x30mm
Screws



S-F (x2)
M8x60mm
Screws



S-G (x2)
M6x15mm
Screws



S-H (x2)
M8x50mm
Screws



S-I (x2)
M8 Nut



T-A (x1)
5mm Allen
Wrench



T-B (x1)
Wrench

Tools Needed:



**Phillips
Screwdriver**

Weight Capacity:



Seat

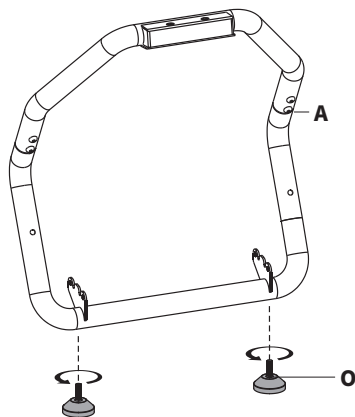


Gear Shift

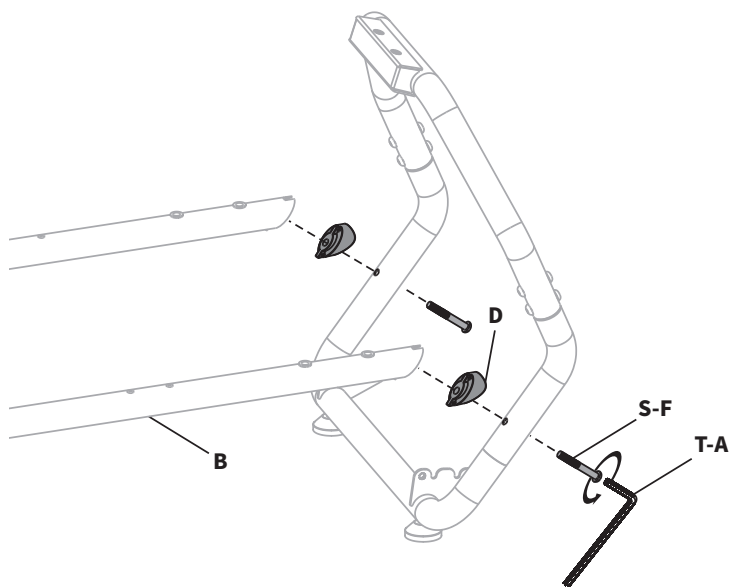
ASSEMBLY STEPS

STEP 1

Screw two Foot Pads (**O**) into the underside of Front Support Frame (**A**).

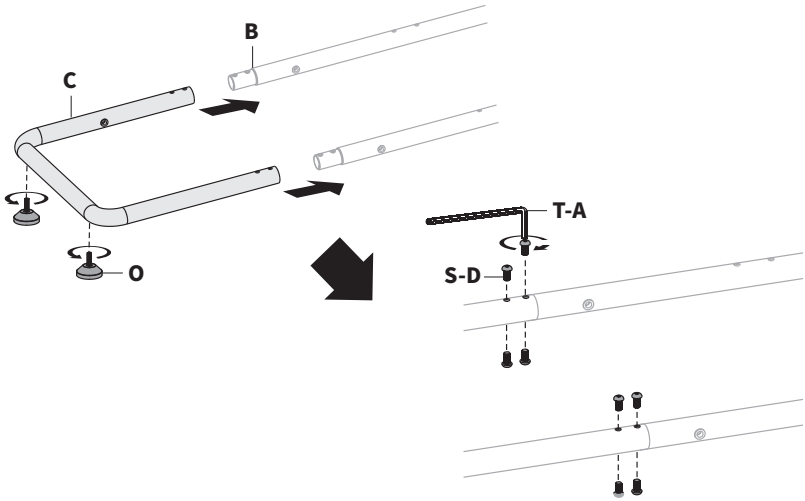


Place one Support Bar Spacer (**D**) onto the front, angled end of each Side Support Bar (**B**), then connect to the Front Support Frame (**A**) using M8x60mm Screws (**S-F**). Tighten using 5mm Allen Wrench (**T-A**).



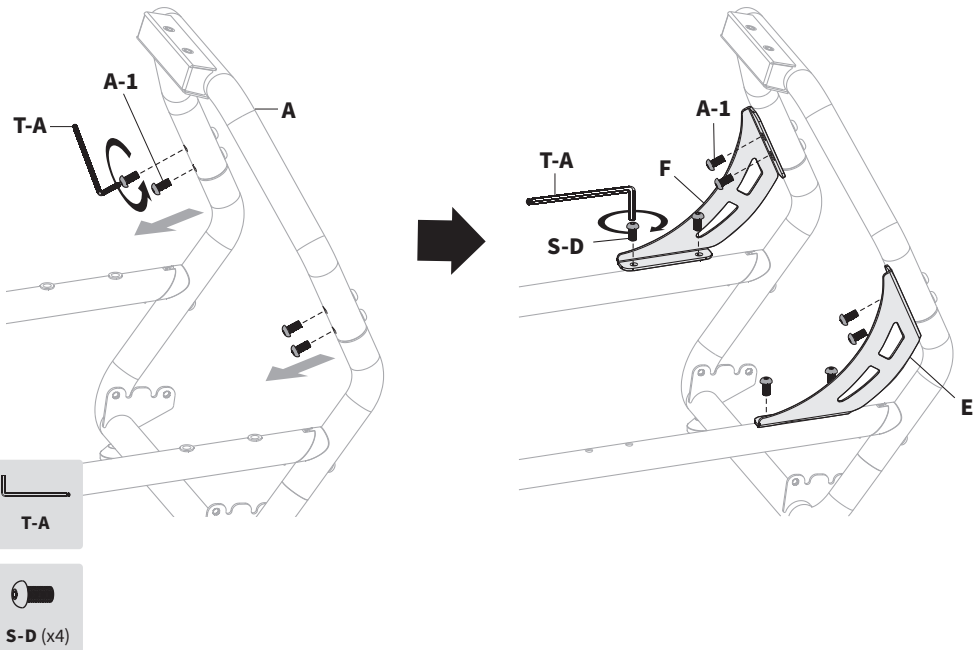
STEP 2

Screw remaining Foot Pads (**O**) into Rear Support Bar. Then insert the Side Support Bars (**B**) into the Rear Support Bar (**C**), and secure using M8x16mm Screws (**S-D**) and 5mm Allen Wrench (**T-A**).



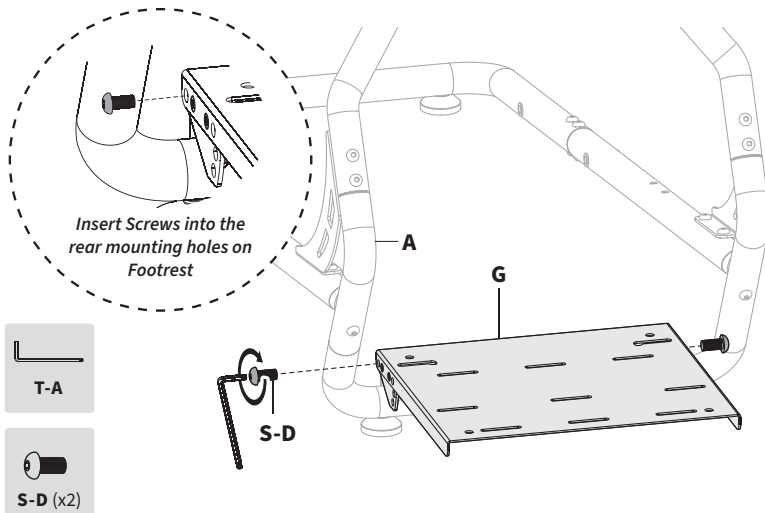
STEP 3

Remove pre-installed Screws (**A-1**) from Front Support Frame (**A**). Assemble Right and Left Braces (**E, F**) to the frame using previously removed Screws (**A-1**), M8x16mm Screws (**S-D**) and 5mm Allen Wrench (**T-A**).

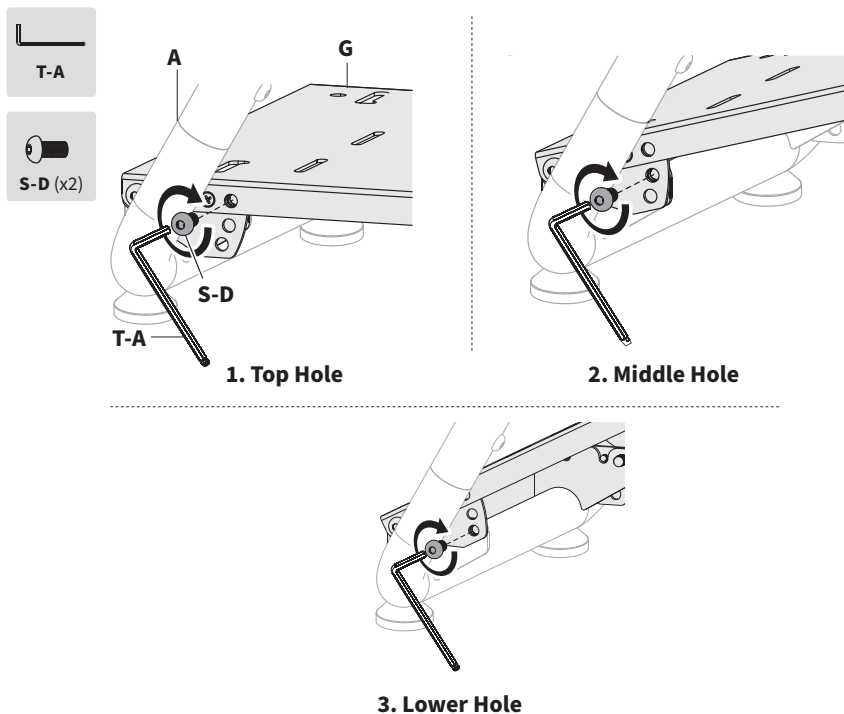


STEP 4

Install the Footrest (**G**) to the Front Support Frame (**A**) using M8x16mm Screws (**S-D**) and 5mm Allen Wrench (**T-A**). Ensure Screws go into the rear mounting holes on Footrest.

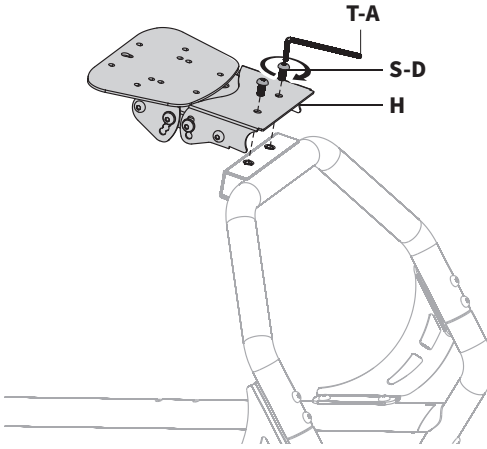


Insert M8x16mm Screws (**S-D**) into the front holes of Footrest (**G**) and Front Support Frame (**A**) to hold Footrest at one of three heights, as shown below. Tighten all Screws using 5mm Allen Wrench (**T-A**).

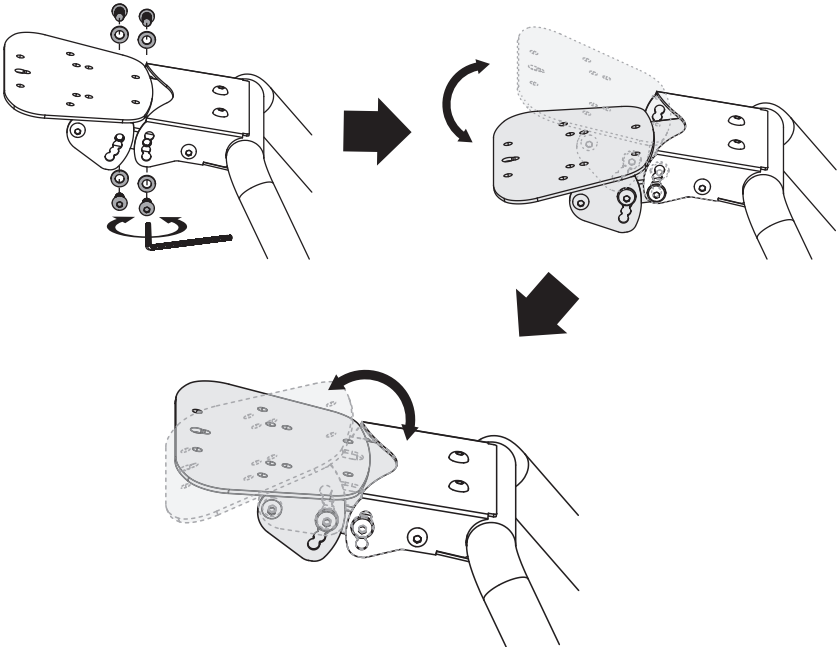


STEP 5

Attach Wheel Mount (**H**) to Front Support Frame (**A**) using M8x16mm Screws (**S-D**) and 5mm Allen Wrench (**T-A**).

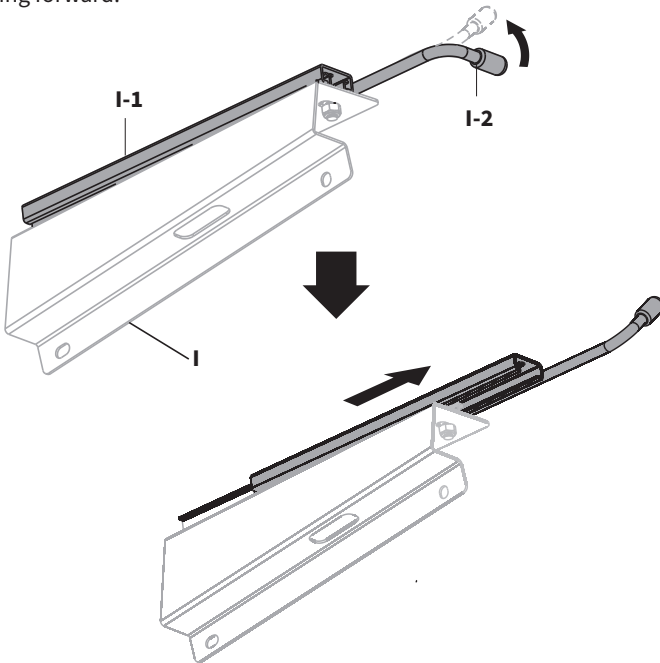


Adjust the wheel mount height and angle by removing the pre-installed bolts with washers from the sides, then reinstall while holding the mount at the desired height and angle.

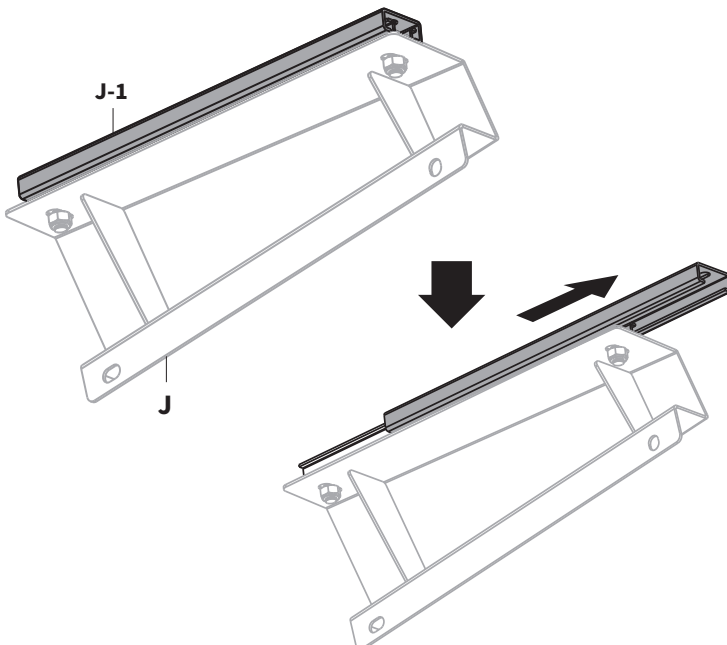


STEP 6

Extend the Slider (**I-1**) on Right Chair Support with Lock (**I**) by lifting on the Lever (**I-2**) and pulling forward.

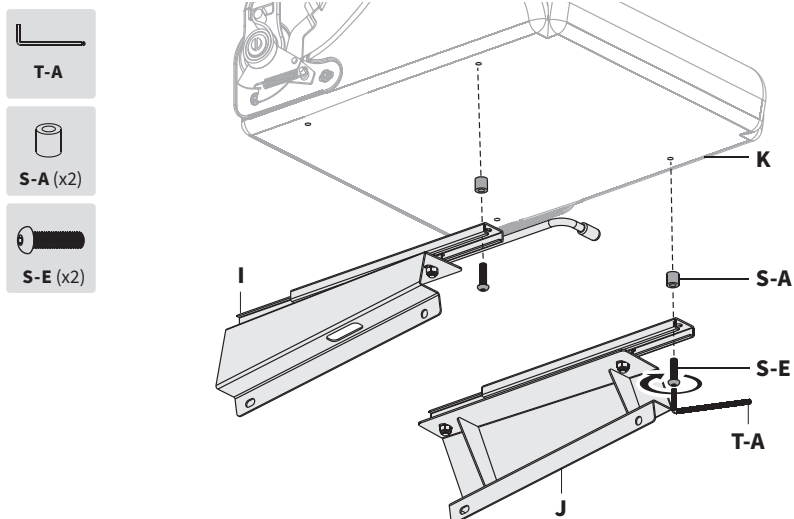


Pull and extend Slider (**J-1**) forward on Left Chair Support (**J**).

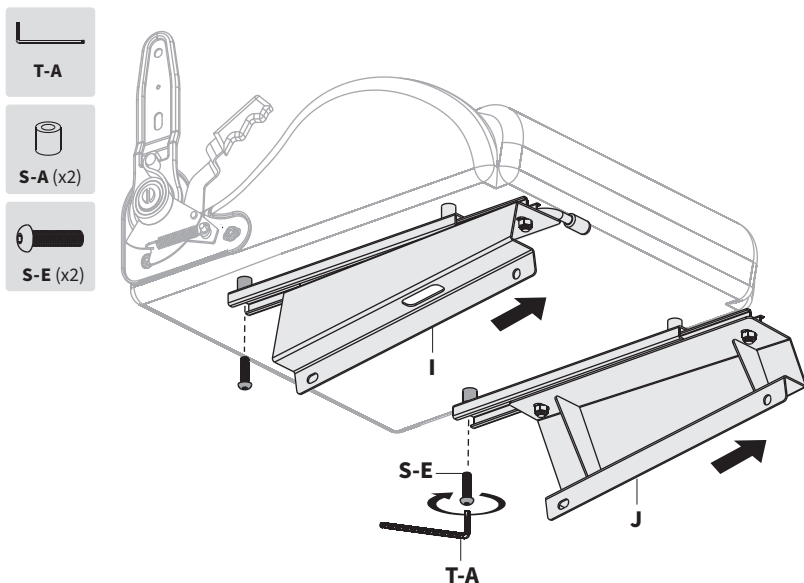


STEP 7

Connect Right and Left Chair Supports (**I, J**) to the Chair Seat (**K**) using Spacers (**S-A**) and M8x30mm Screws (**S-E**) into front holes on Sliders (**I-1, J-1**) with 5mm Allen Wrench (**T-A**).

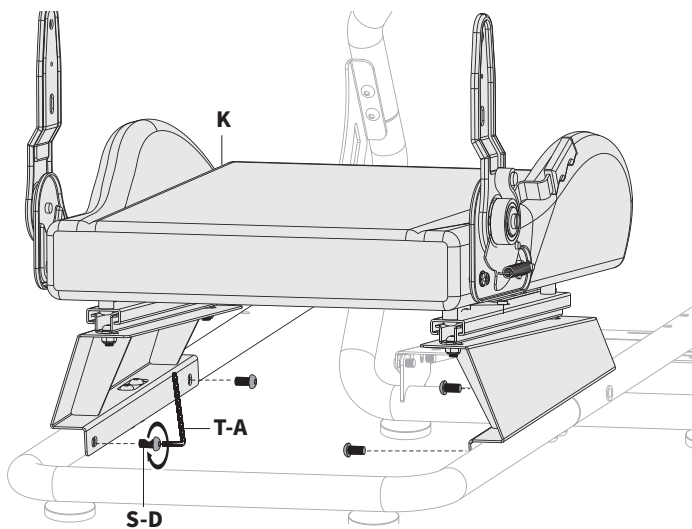


Slide Supports (**I, J**) forward to reveal rear mounting hole. Secure using Spacers (**S-A**), M8x30mm Screws (**S-E**), and 5mm Allen Wrench.



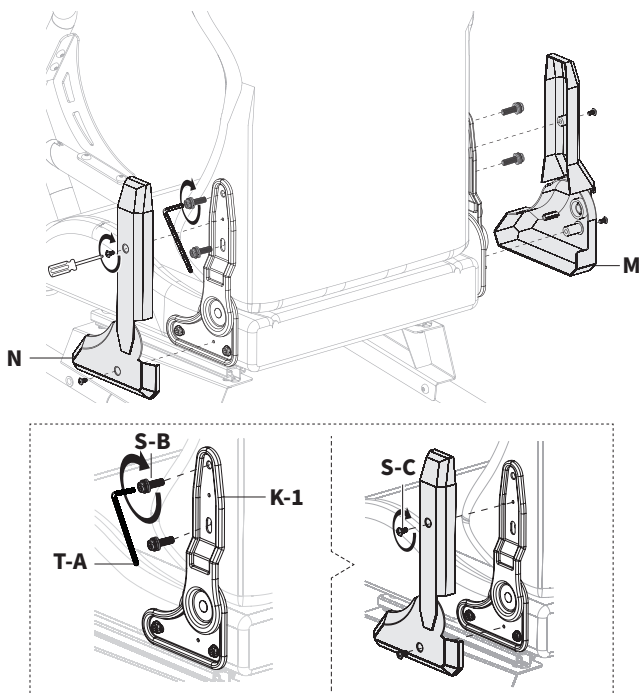
STEP 8

Mount Chair Seat (**K**) with Supports to assemble frame using M8x16mm Screws (**S-D**) with 5mm Allen Wrench (**T-A**).



STEP 9

Assemble Chair Back (**L**) to Side Brackets (**K-1**) on Chair Seat (**K**) using M8x30mm Hex Head Screw with Washers (**S-B**) and a Phillips screwdriver. Install Left and Right Side Covers (**M, N**) to Brackets using M5x8mm Screw (**S-C**), and tighten with a Phillips screwdriver.

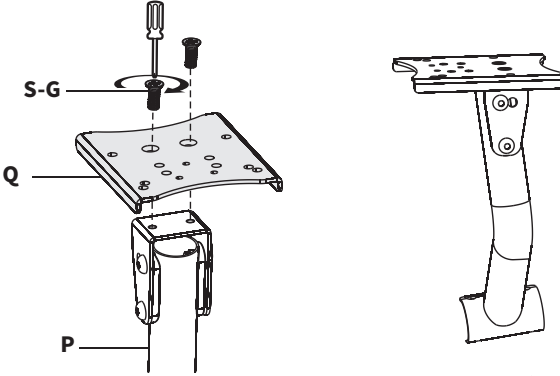


STEP 10.1

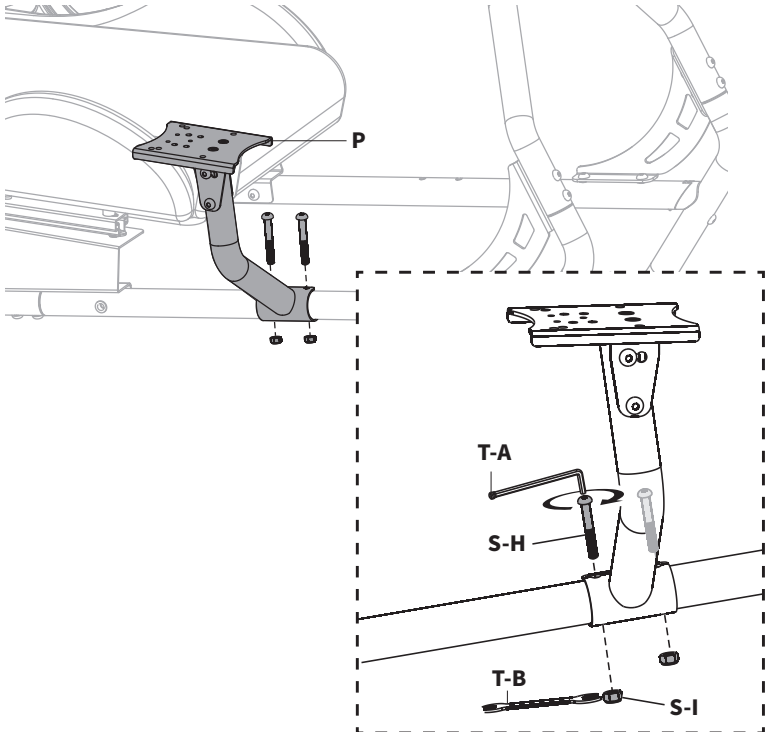
The Shifter Mount can be installed on either the right or left side, based on your preferences. Follow the steps outlined below and on the next page to assembly to your desired side.

OPTION A: Right Side Shift Lever

Attach Shifter Mount (Q) to the top of Shifter Support Bar (P) using M6x15mm Screws (S-G), making sure the long end of Mount is in the back, and tighten with a Phillips screwdriver.



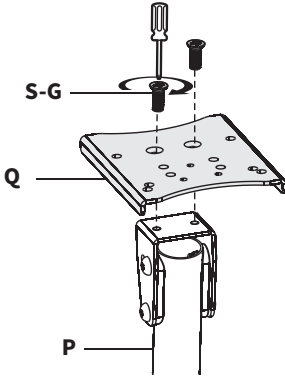
Connect the Shifter Support Bar (P) to the right side of the frame using M8x50mm Screws (S-H) and M8 Nuts (S-I). Tighten using 5mm Allen Wrench (T-A) and Wrench (T-B).



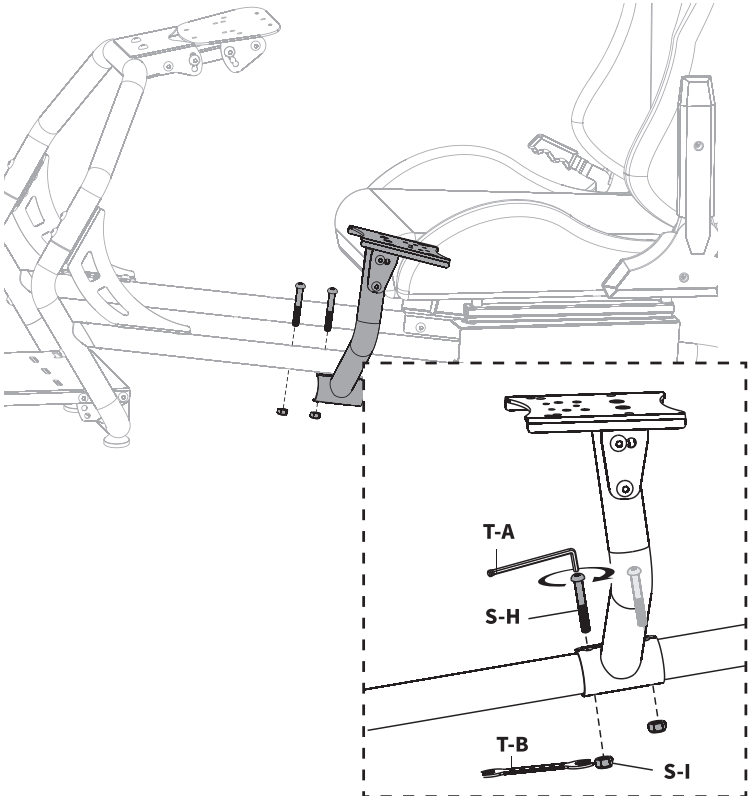
STEP 10.2

OPTION B: Left Side Shift Lever

Attach Shifter Mount (Q) to the top of Shifter Support Bar (P) using M6x15mm Screws (S-G), making sure the long end of Mount is in the back, and tighten with a Phillips screwdriver.



Connect the Shifter Support Bar (P) to the left side of the frame using M8x50mm Screws (S-H) and M8 Nuts (S-I). Tighten using 5mm Allen Wrench (T-A) and Wrench (T-B).

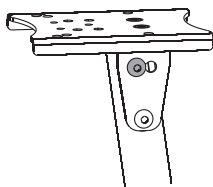


STEP 11

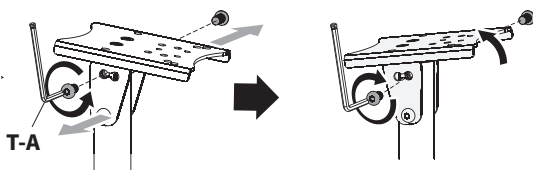
Adjust the mount angle by removing the pre-installed bolts from the sides using 5mm Allen Wrench (**T-A**). Reinstall while holding the mount at the desired angle.



RIGHT SIDE ASSEMBLY

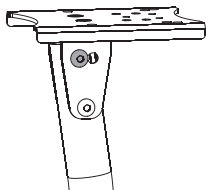


Default Position

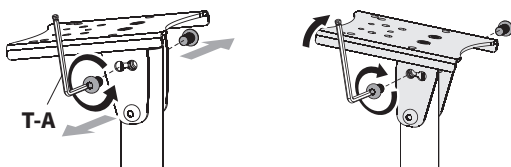


Tilted

LEFT SIDE ASSEMBLY



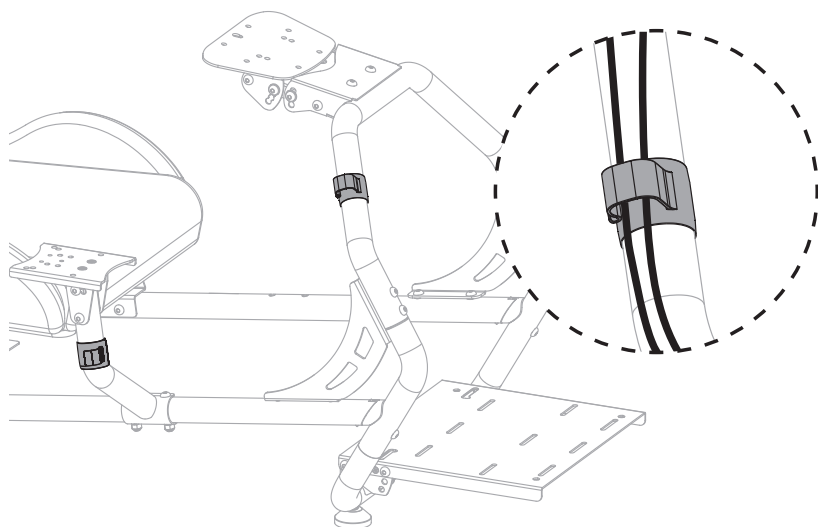
Default Position



Tilted

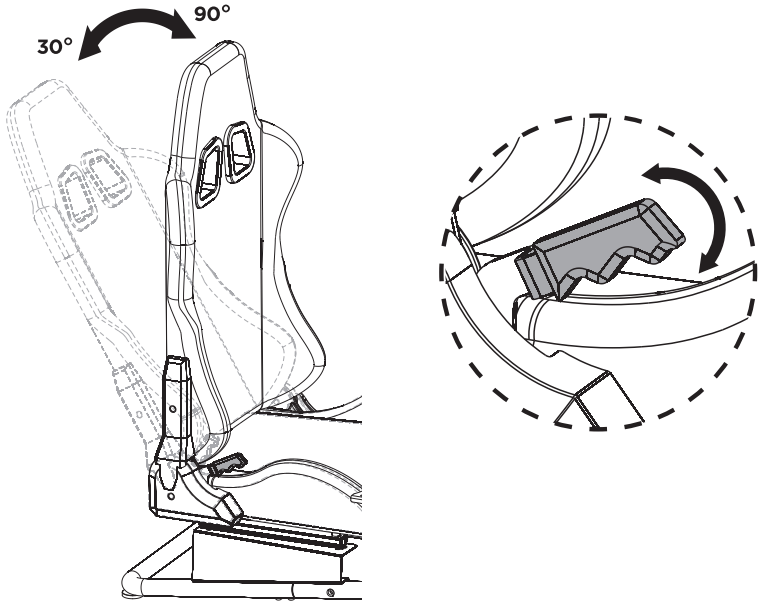
CABLE MANAGEMENT

Use Cable Clips (**R**) and Zip Ties (**S**) to organize and secure cables.

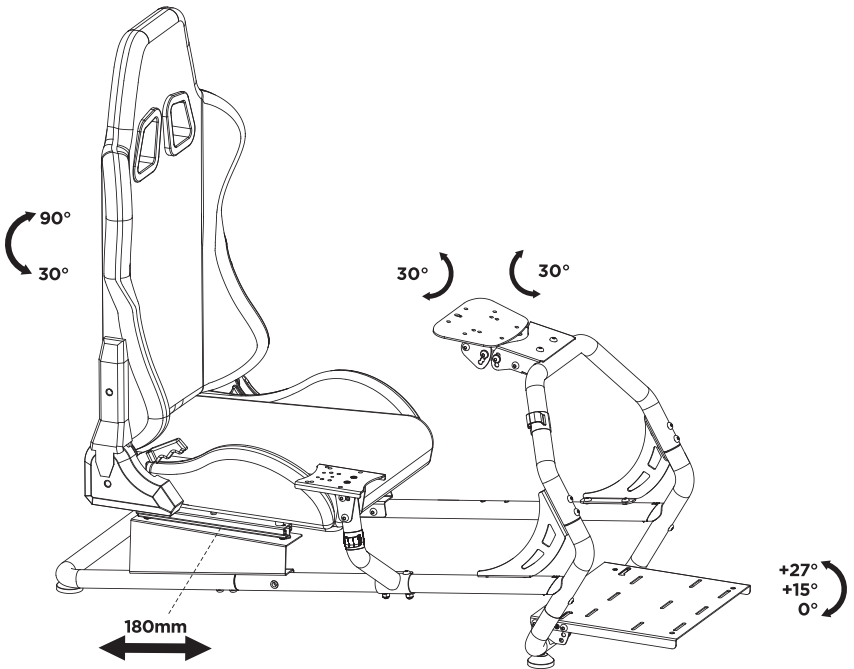


SEAT ADJUSTMENT

Use the levers on the right side of the assembled chair to adjust the seat angle and position.



OTHER ADJUSTMENTS





Need Help? Get In Touch

Monday-Friday from 7:00am-7:00pm CST



help@vivo-us.com



www.vivo-us.com

Chat live with an agent!



309-278-5303



VIVO-us



@vivo_us