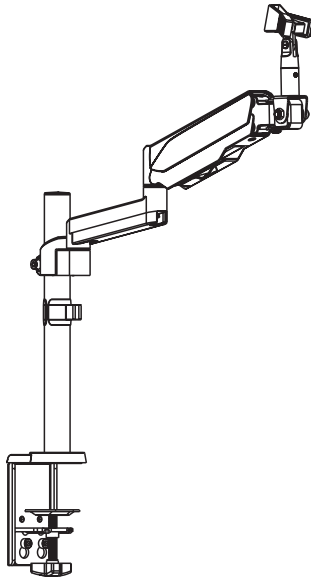




Pneumatic Arm Microphone Desk Mount Instruction Manual



SKU: STAND-MIC01



Scan the QR code with your mobile device or follow the link for helpful videos and specifications related to this product.

<https://vivo-us.com/products/stand-mic01>

GET IN TOUCH | Monday-Friday from 7:00am-7:00pm CST



help@vivo-us.com



www.vivo-us.com
Chat live with an agent!



309-278-5303

WARNING!

If you do not understand these directions, or if you have any doubts about the safety of the installation, please call a qualified technician. Check carefully to make sure there are no missing or defective parts. Improper installation may cause damage or serious injury. Do not use this product for any purpose that is not explicitly specified in this manual. Do not exceed weight capacity. We cannot be liable for damage or injury caused by improper mounting, incorrect assembly or inappropriate use.

TIPOVER WARNING

SERIOUS OR FATAL CRUSHING INJURIES CAN OCCUR FROM TIPOVER. TO HELP PREVENT TIPOVER:

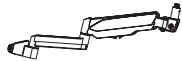
- NEVER ALLOW CHILDREN TO CLIMB, STAND, HANG, OR PLAY ON ANY PART OF MONITOR OR STAND.
- USE TIPOVER RESTRAINT OR ANCHOR STAND TO WALL

USE OF TIPOVER RESTRAINTS MAY ONLY REDUCE, BUT NOT ELIMINATE RISK OF TIPOVER.

WARNING: CHOKING HAZARD

SMALL PARTS - NOT FOR CHILDREN UNDER 3 YEARS. ADULT SUPERVISION IS REQUIRED.

PACKAGE CONTENTS



A (x1)
Arm



B (x1)
Clamp



C (x1)
Decorative
Cover



D (x1)
Mic Clamp



E (x1)
Pole



F (x1)
Cable Clip



G (x3)
Bolt



H (x1)
Grommet Plate



I (x1)
Grommet Base



J (x1)
3mm Allen
Wrench



K (x1)
4mm Allen
Wrench



L (x1)
6mm Allen
Wrench

NOTE: SOME HARDWARE INCLUDED MAY NOT BE USED

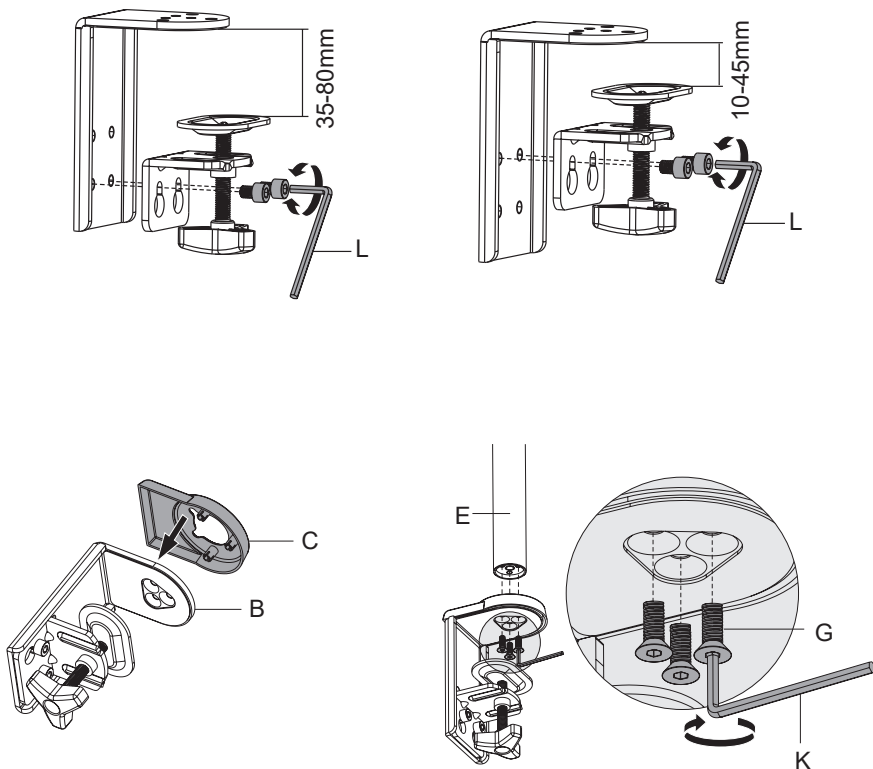


ASSEMBLY STEPS

STEP 1

OPTION A: Clamp Installation

As delivered, the clamp (B) will fit a desktop thickness of 35-80mm. To fit a desk thickness of 10-45mm, remove the two bolts using the 6mm Allen wrench (L), then reassemble at alternate height. Attach decorative cover (C) to clamp (B). Attach pole (E) to clamp (B) with bolts (G) using 4mm allen wrench (K).

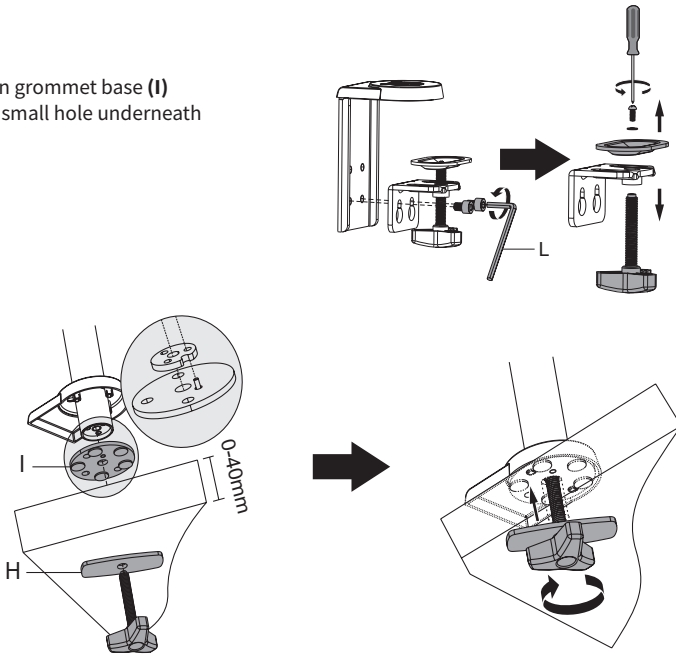


STEP 1 (Continued)

OPTION B: Grommet Base Installation

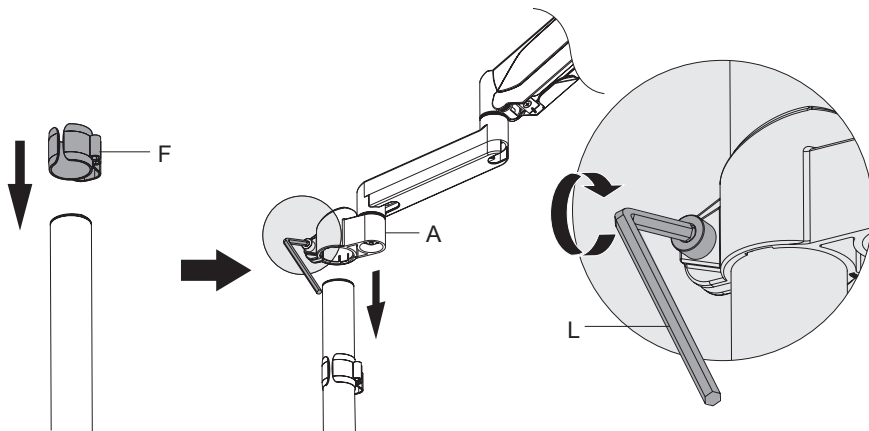
Disassemble clamp **(B)** using 6mm Allen wrench **(L)**. Remove the screw, washer and clamp plate from the clamp, then remove the hand bolt. If desk does not have an existing grommet hole, drill a 3/8" (10mm) hole through the desktop. Place grommet plate **(H)** onto the hand bolt, then secure the pole **(E)** and grommet base **(I)** to the desktop using the hand bolt and grommet plate. Slide on decorative cover **(C)**.

NOTE: Pin in grommet base **(I)** inserts into small hole underneath pole **(E)**.



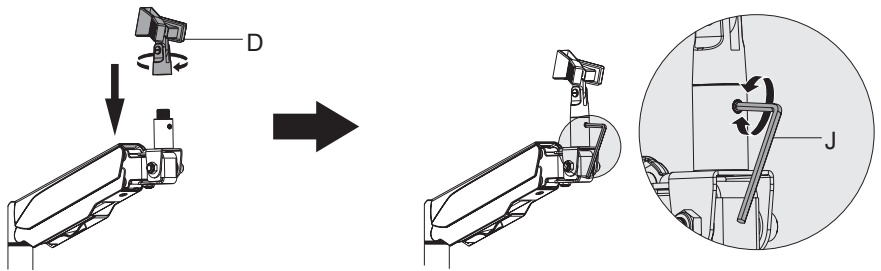
STEP 2

Slide on cable management clip **(F)**. Slide arm **(A)** onto pole **(E)** and tighten at desired height using 6mm allen wrench **(L)**.



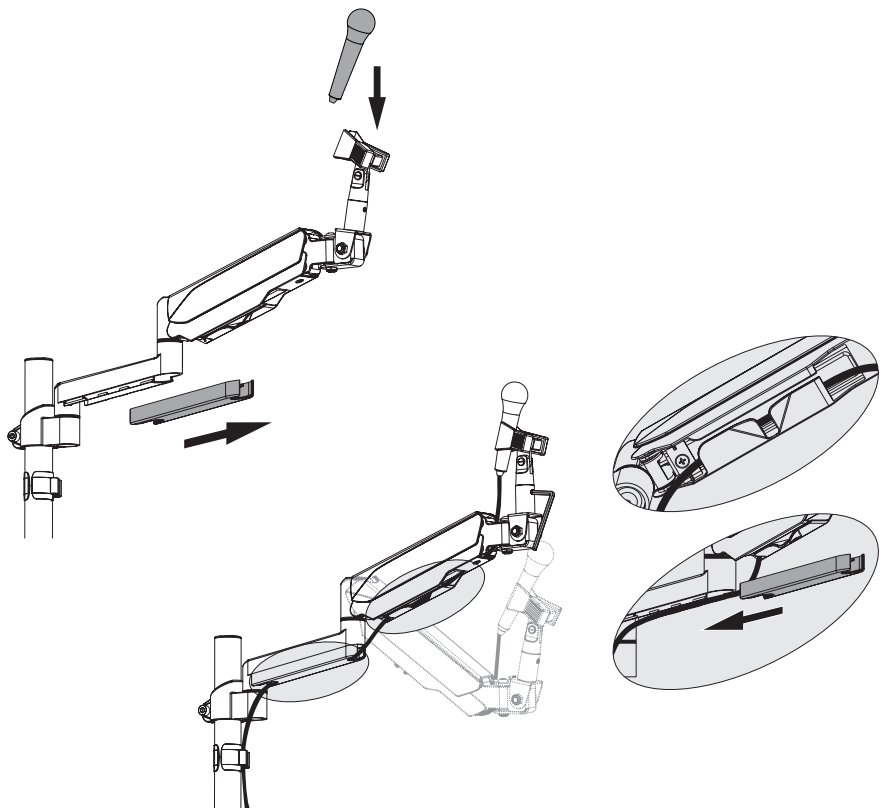
STEP 3

Screw mic clamp (D) onto arm (A) and adjust using 3mm Allen wrench (J).



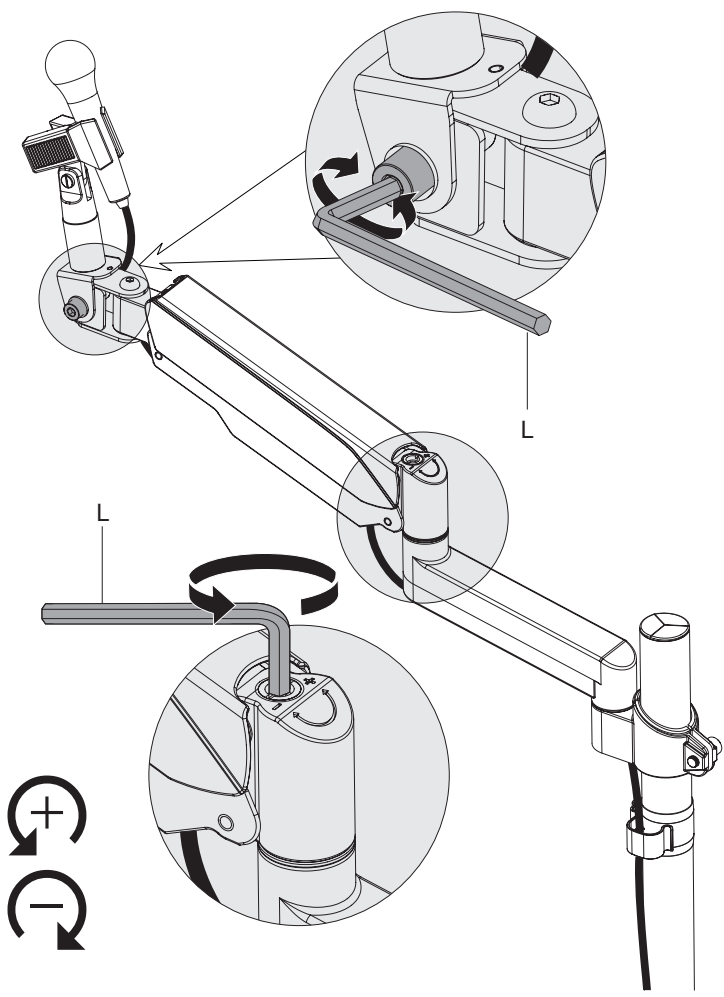
STEP 4

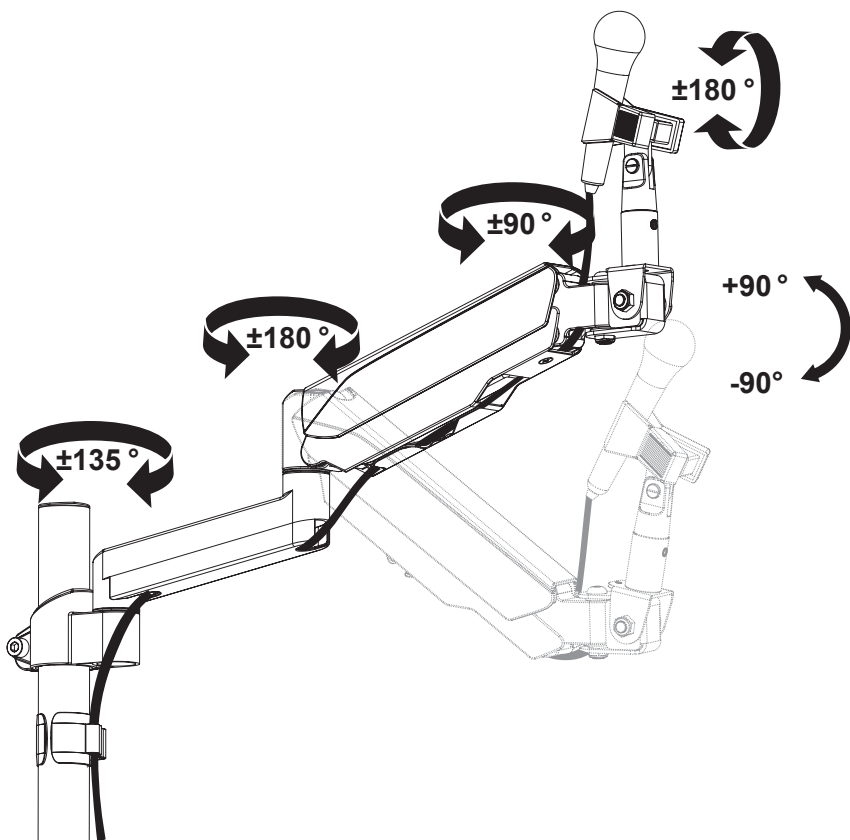
Place mic into mic clamp (D). Manage cable as shown using covers on arm (A) and cable clip (F).



STEP 5

Adjust gas spring tension if needed by turning screw on top of center joint with 6mm Allen wrench (L).







Open **Monday - Friday 7:00am - 7:00pm** CST,

our dedicated support team can offer immediate assistance with rapid response times. If any parts are received damaged or defective, please contact us. We are happy to replace parts to ensure you have a fully functioning product.


 help@vivo-us.com

AVG. RESPONSE TIME (*within office hrs*): **1HR 8M**

- 23% within < 15m
- 38% within < 30m
- 61% within < 1hr
- 83% within < 2hr
- 92% within < 3hr

 www.vivo-us.com
Chat live with an agent!

AVG. RESOLUTION TIME (*within office hrs*): **< 15 M**

 309-278-5303

AVG. RESOLUTION TIME (*within office hrs*): **5M 4S**