

VESA Compatible Laptop Tray with RGB Fan

SKU: STAND-LAP5F

Instruction Manual

Assembly Video & Product Info
www.vivo-us.com/products/stand-lap5f



! CAUTION! !

If you do not understand these directions, or if you have any doubts about the safety of the installation, please contact our product support team at 309-278-5303 or help@vivo-us.com for further assistance. Check carefully to make sure there are no missing or defective parts. Improper installation may cause damage or serious injury. Do not use this product for any purpose that is not explicitly specified in this manual. Do not exceed weight capacity. We cannot be liable for damage or injury caused by improper mounting, incorrect assembly or inappropriate use.



WARNING: CHOKING HAZARD

SMALL PARTS - NOT FOR CHILDREN UNDER 3 YEARS. ADULT SUPERVISION IS REQUIRED.



DO NOT EXCEED WEIGHT CAPACITY

FAILURE TO DO SO MAY RESULT IN SERIOUS INJURY.

We're Here for You

Open **Monday - Friday 7:00am - 7:00pm** CST, our dedicated support team can offer immediate assistance with rapid response times. If any parts are received damaged or defective, please contact us. We are happy to replace parts to ensure you have a fully functioning product.



Give us a Call:
309-278-5303

AVG. RESOLUTION TIME (*within office hrs*): **5M 4S**



Chat Us:
www.vivo-us.com

AVG. RESOLUTION TIME (*within office hrs*): **< 15 M**

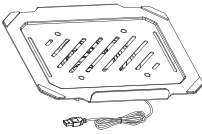


Email Us:
help@vivo-us.com

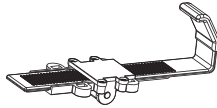
AVG. RESPONSE TIME (*within office hrs*): **1HR 8M**

- 23% within < 15m
- 38% within < 30m
- 61% within < 1hr
- 83% within < 2hr
- 92% within < 3hr

Package Contents



A (x1)
Laptop Tray



B (x2)
Arm



C (x2)
Latch

Included Hardware & Tools



M-A (x4)
M4x12mm Screw



M-B (x4)
M5 Washer

Tools Needed:



**Phillips
Screwdriver**

Weight Capacity:

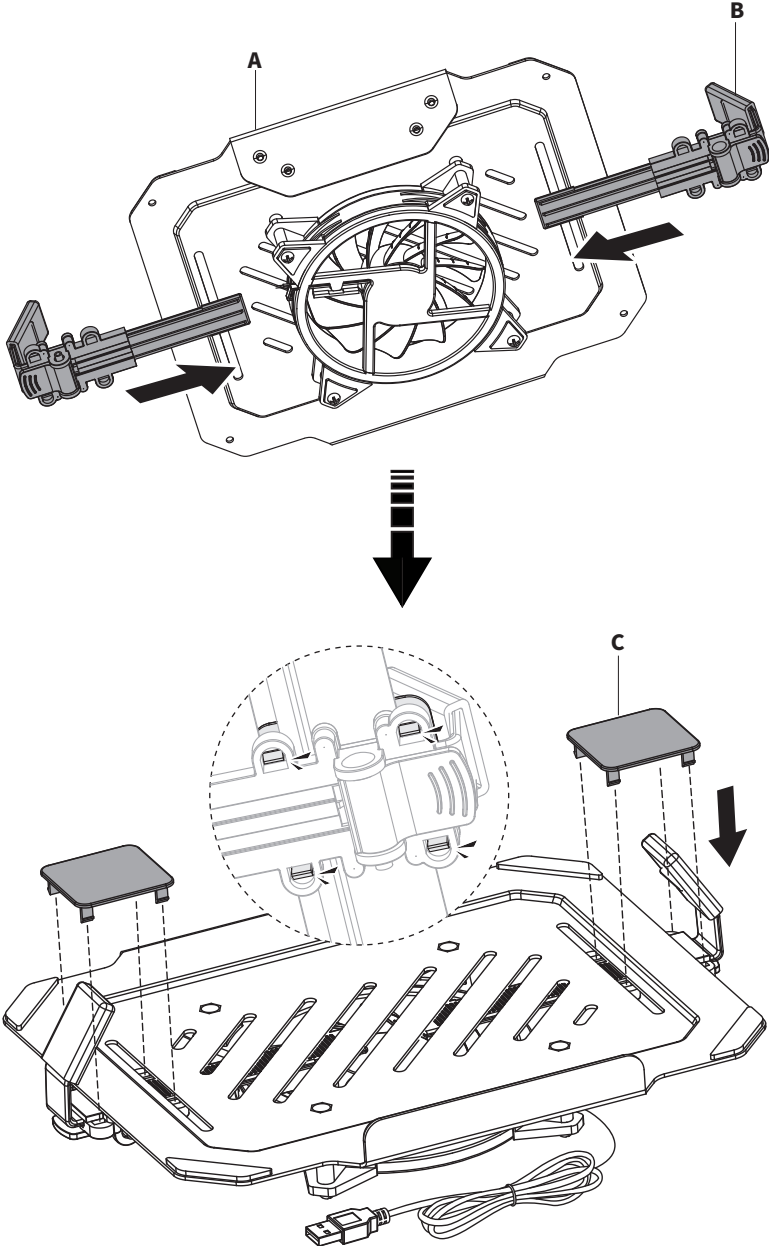


**19.8lbs
(9kg)**

ASSEMBLY STEPS

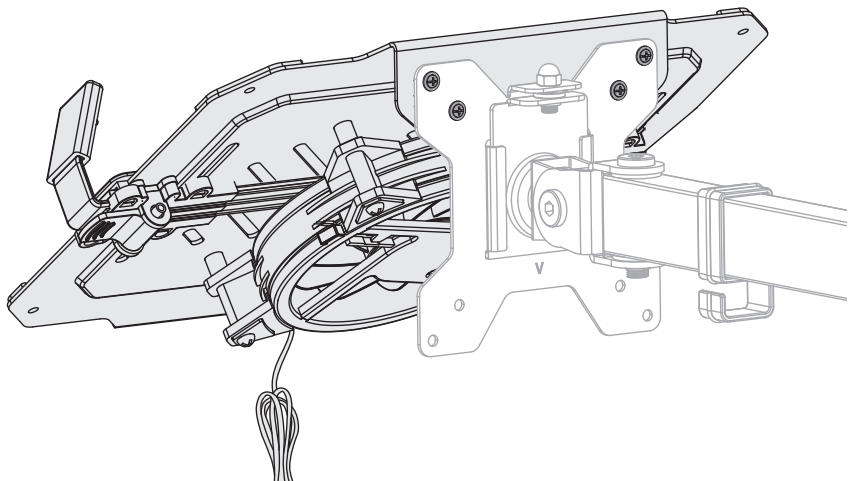
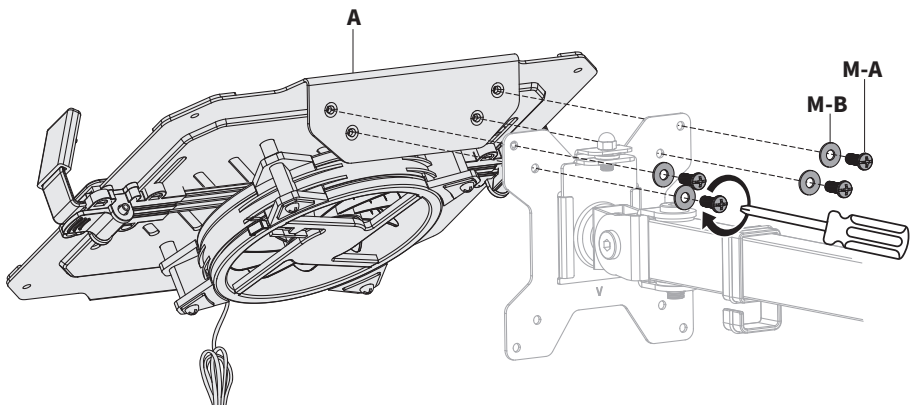
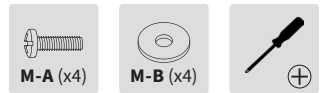
STEP 1

Install Arms (B) onto the Laptop Tray (A) using Latches (C). Lay Latches (C) over the Laptop Tray (A) with one set of the hooks aligned with the slot on the tray and the other offset from the edge of the tray. Press the hooks on Latches (C) into Arms (B).



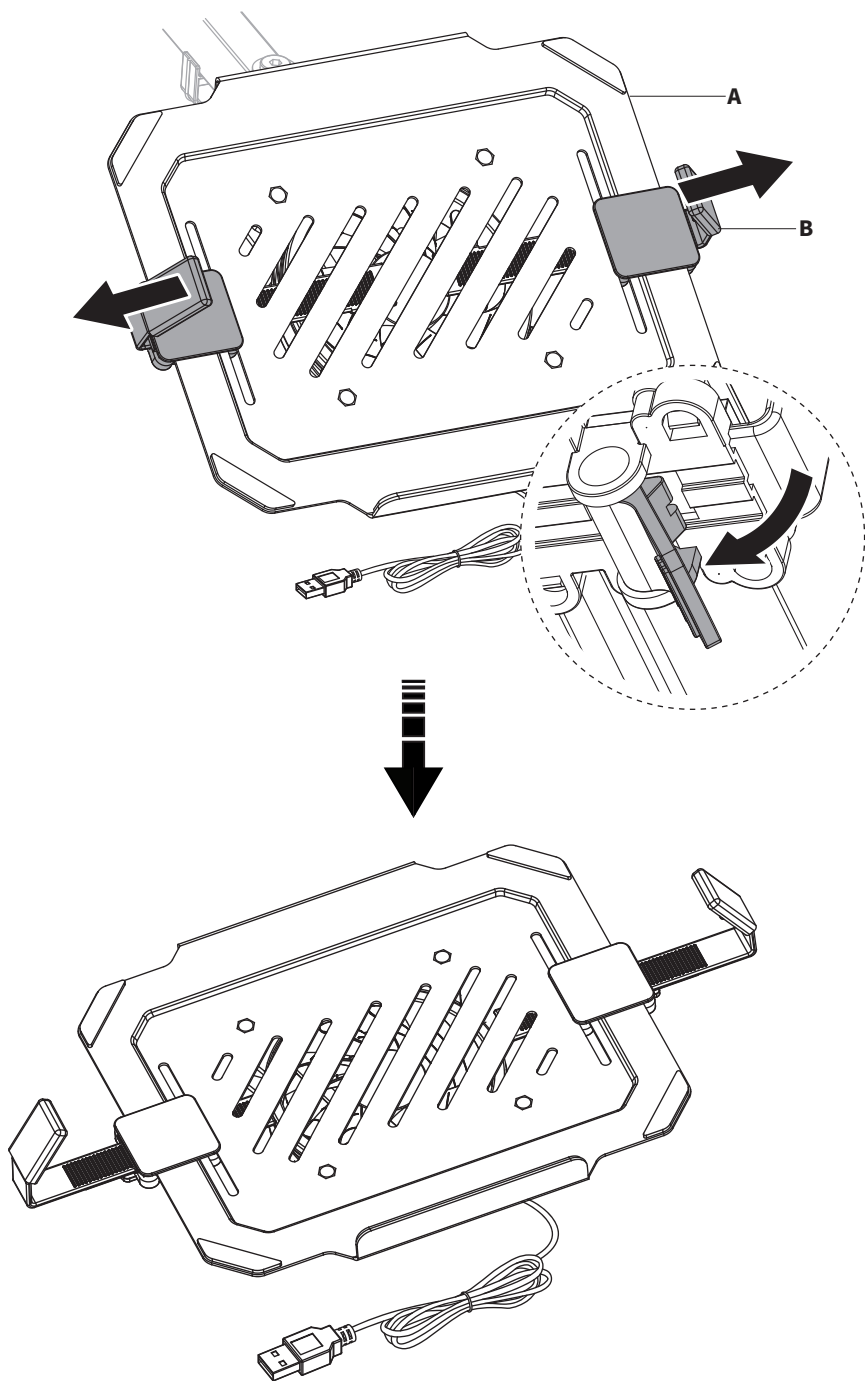
STEP 2

Install Laptop Tray (**A**) to a VESA plate using the M4x12mm Screws (**M-A**) and M5 Washers (**M-B**). Tighten the screws using a Phillips screwdriver.



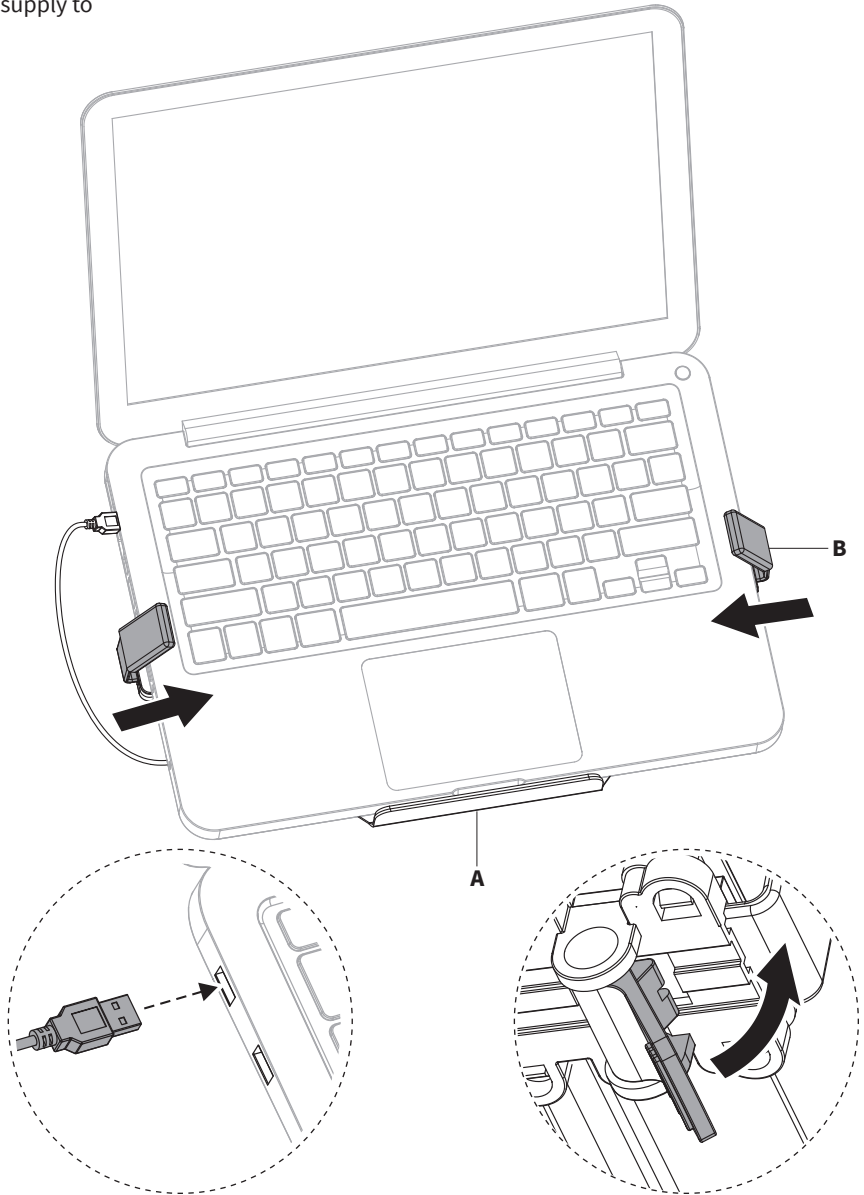
STEP 3

Adjust the Laptop Tray (**A**) size by pulling down the levers on Arms (**B**). Adjust the Arms (**B**) to your desired width.



STEP 4

Place the laptop on the Laptop Tray (**A**) and tighten the Arms (**B**) to secure. Press the levers on the Arms (**B**) back in to lock in place. Plug the USB-A cable into any 5V power supply to





Need Help? Get In Touch

Monday-Friday from 7:00am-7:00pm CST



help@vivo-us.com



www.vivo-us.com

Chat live with an agent!



309-278-5303



VIVO-us @vivo_us