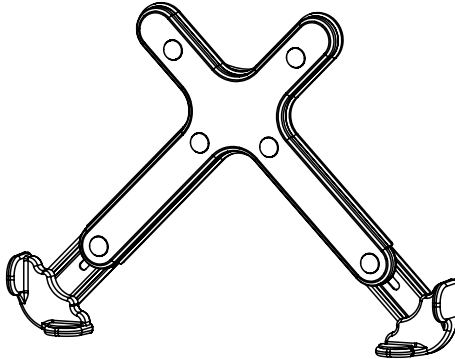


VESA Compatible Laptop Holder

Instruction Manual



SKU: STAND-LAP4



Scan the QR code with your mobile device or follow the link for helpful videos and specifications related to this product.

<https://vivo-us.com/products/stand-lap4>

GET IN TOUCH | Monday-Friday from 7:00am-7:00pm CST



help@vivo-us.com



www.vivo-us.com
Chat live with an agent!



309-278-5303

WARNING!

If you do not understand these directions, or if you have any doubts about the safety of the installation, please call a qualified technician. Check carefully to make sure there are no missing or defective parts. Improper installation may cause damage or serious injury. Do not use this product for any purpose that is not explicitly specified in this manual. Do not exceed weight capacity. We cannot be liable for damage or injury caused by improper mounting, incorrect assembly or inappropriate use.

WARNING: CHOKING HAZARD

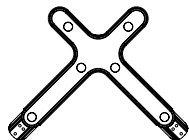
SMALL PARTS - NOT FOR CHILDREN UNDER 3 YEARS. ADULT SUPERVISION IS REQUIRED.

DO NOT EXCEED WEIGHT CAPACITY.

Failure to do so may result in serious injury.



PACKAGE CONTENTS



A (x1)
Laptop
Holder



B (x2)
Corner Support



C (x2)
Pad



D (x2)
Fastening Strap



S-A (x6)
ST4x8mm Screw



M-A (x4)
M4x6



M-B (x4)
Washer

TOOLS NEEDED

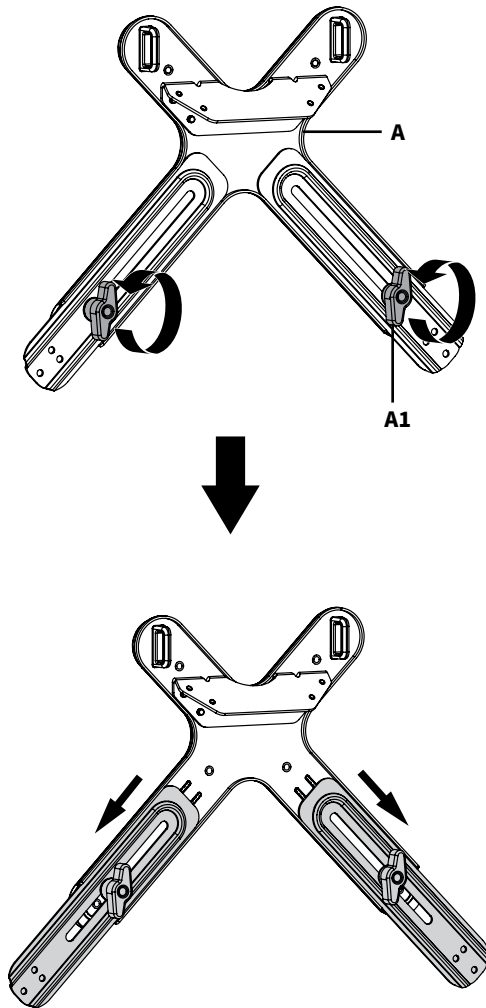


**Phillips
Screwdriver**

ASSEMBLY STEPS

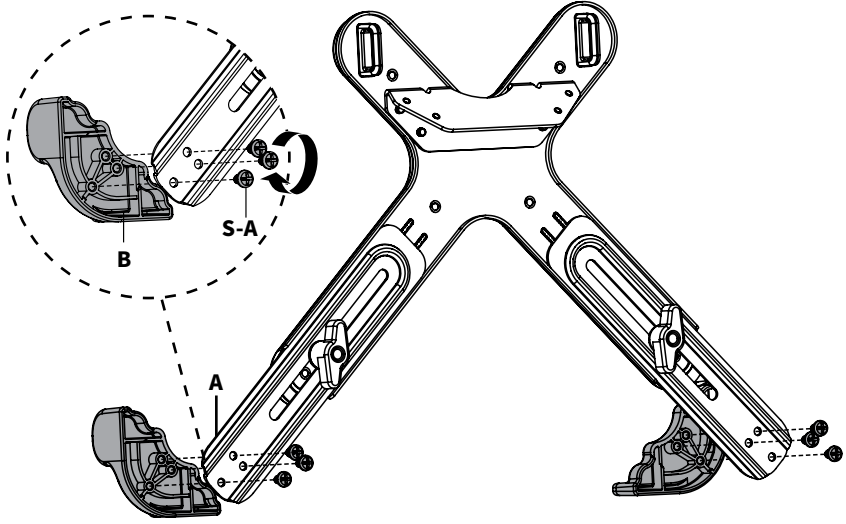
STEP 1

Loosen Knobs **(A1)** on Laptop Holder **(A)** to extend arms.

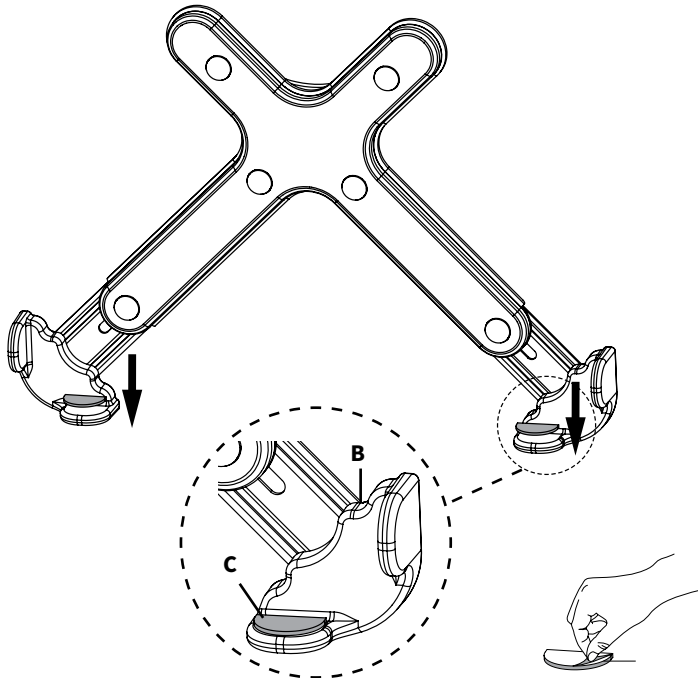


STEP 2

Mount Corner Supports (**B**) to ends of arms on Laptop Holder (**A**) using ST4x8mm Screws (**S-A**). Apply one Pad (**C**) to each corner support as shown.

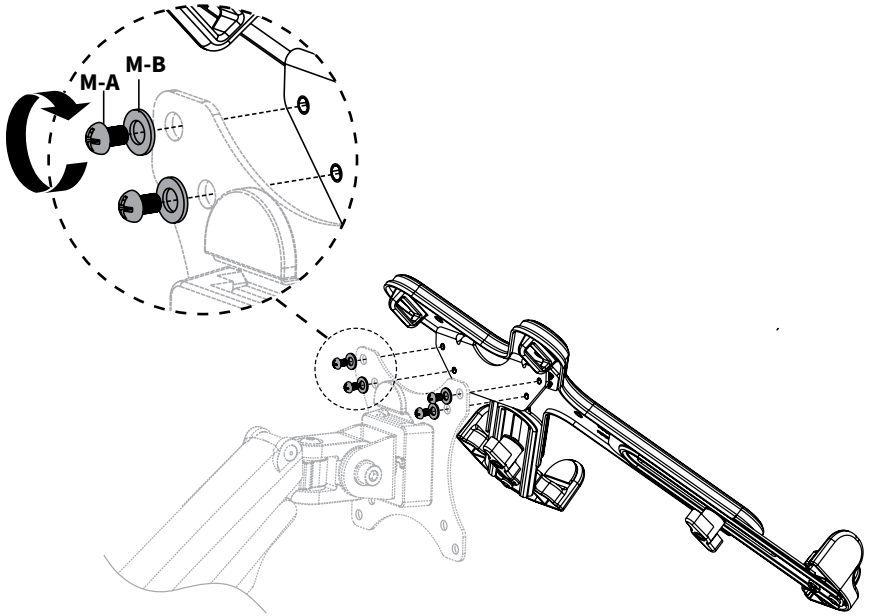


Apply one Pad (**C**) to each Corner Support (**B**) as shown.

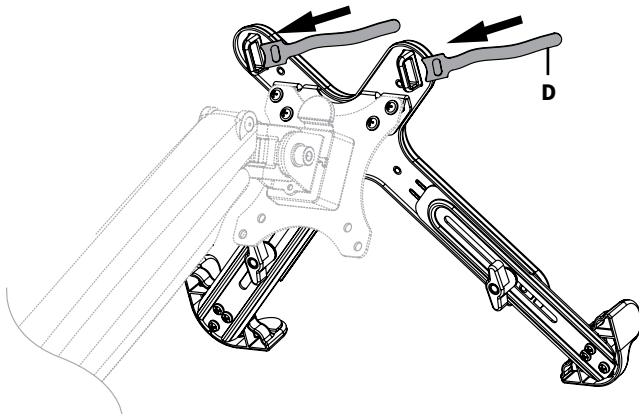
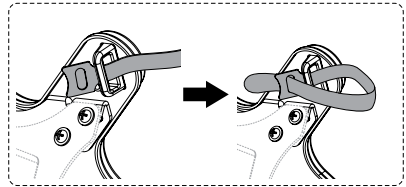


STEP 3

Attach assembled laptop holder to 75mm and 100mm holes on your VESA mount using M4x6mm Screws (**M-A**), Washers (**M-B**), and a Phillips screwdriver.

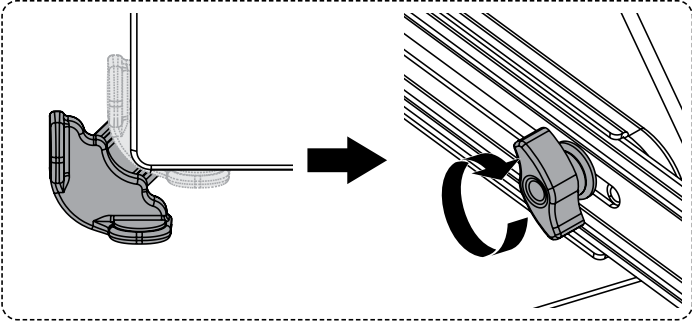
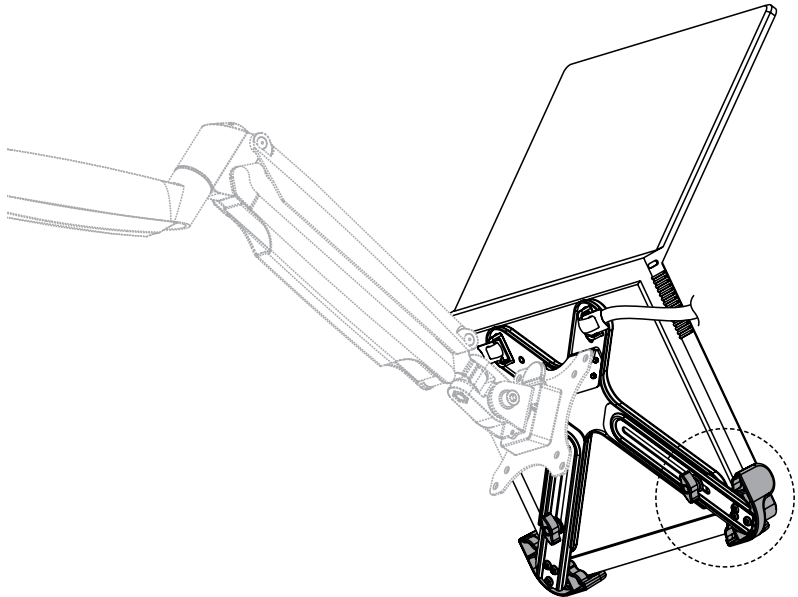


Feed Straps (**D**) through loops underneath the laptop holder, then pull straight end of each strap through the loop on the other end of the strap. Ensure both straps have the soft side facing up.



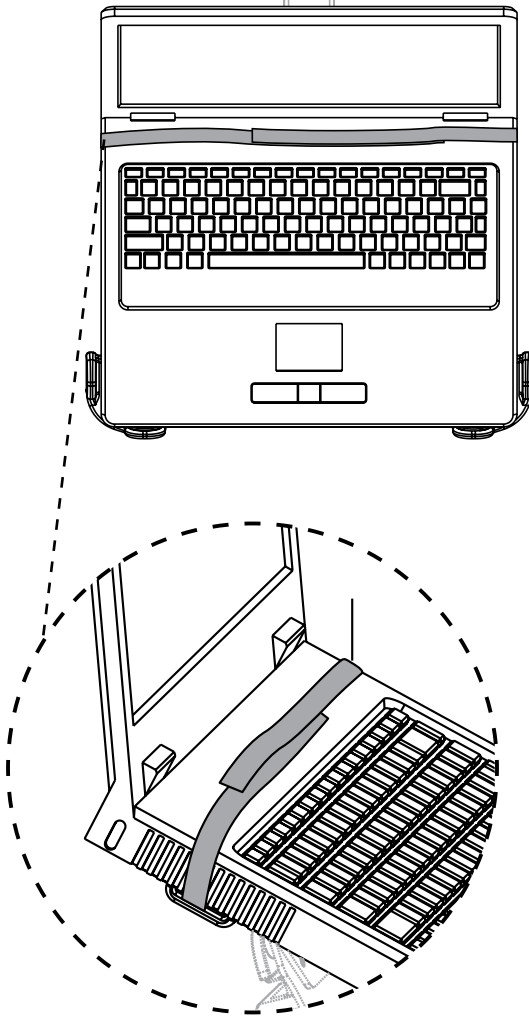
STEP 4

Place laptop on laptop holder and evenly adjust both arms to fit to laptop. Tighten the knobs to lock arm length.



STEP 5

Secure laptop using fastening straps.





Love your new VIVO setup and want to share?
Tag us in your photo! [@vivo_us](#)

LAST UPDATED: 08/31/2023
REV1.1



Open **Monday - Friday 7:00am - 7:00pm** CST,
our dedicated support team can offer immediate assistance with rapid response times. If any parts are received damaged or defective, please contact us. We are happy to replace parts to ensure you have a fully functioning product.



309-278-5303

AVG. RESOLUTION TIME (*within office hrs*): **5M 4S**



www.vivo-us.com
Chat live with an agent!

AVG. RESOLUTION TIME (*within office hrs*): **< 15 M**



help@vivo-us.com

AVG. RESPONSE TIME (*within office hrs*): **1HR 8M**

- 23% within < 15m
- 38% within < 30m
- 61% within < 1hr
- 83% within < 2hr
- 92% within < 3hr

FOR MORE VIVO PRODUCTS, CHECK OUT OUR WEBSITE AT: www.vivo-us.com