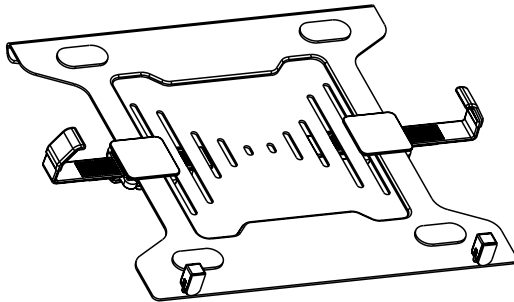




---

## VESA Compatible Laptop Holder

Instruction Manual



**SKU: STAND-LAP3**



Scan the QR code with your mobile device or follow the link for helpful videos and specifications related to this product.

<https://vivo-us.com/products/stand-lap3>

---

GET IN TOUCH | Monday-Friday from 7:00am-7:00pm CST



help@vivo-us.com



www.vivo-us.com  
*Chat live with an agent!*



309-278-5303

**WARNING!**

If you do not understand these directions, or if you have any doubts about the safety of the installation, please call a qualified technician. Check carefully to make sure there are no missing or defective parts. Improper installation may cause damage or serious injury. Do not use this product for any purpose that is not explicitly specified in this manual. Do not exceed weight capacity. We cannot be liable for damage or injury caused by improper mounting, incorrect assembly or inappropriate use.

**WARNING: CHOKING HAZARD**

SMALL PARTS - NOT FOR CHILDREN UNDER 3 YEARS. ADULT SUPERVISION IS REQUIRED.

**PACKAGE CONTENTS**



**A** (x1)  
Laptop Tray



**B** (x2)  
Arm



**C** (x2)  
Clip



**D** (x4)  
M4x8

**TOOLS NEEDED**



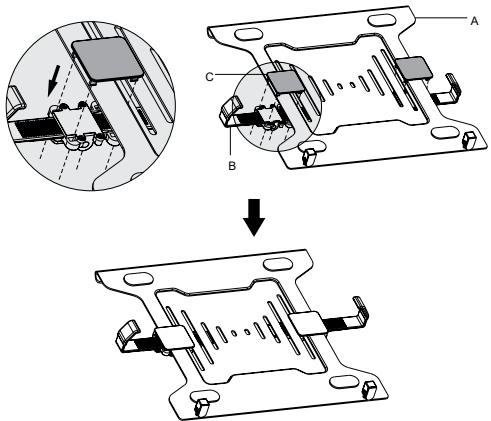
**DO NOT EXCEED WEIGHT CAPACITY.**  
Failure to do so may result in serious injury.



**ASSEMBLY STEPS**

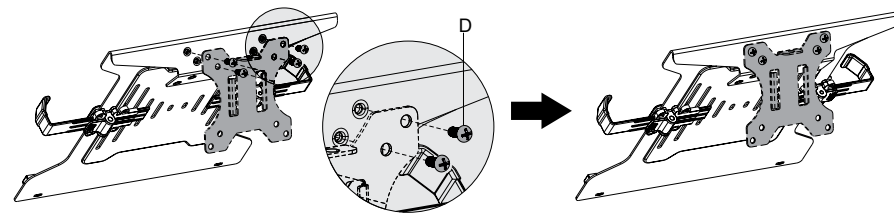
**STEP 1**

Place arms (**B**) underneath each side of laptop tray (**A**), aligning square holes in arms with the edge and long slot on each side. Insert clips (**C**) through top to secure arms, making sure all 4 locks on each clip are engaged with square holes in arms.



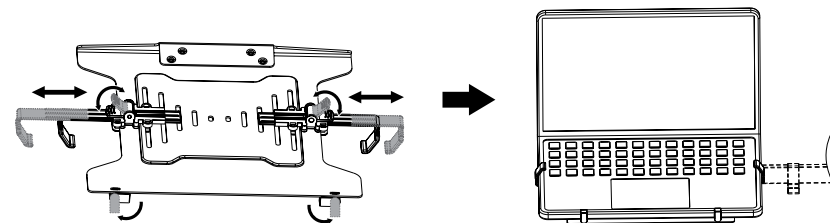
**STEP 2**

Attach assembled laptop holder to 75mm and 100mm holes on VESA mount using M4x8 screws (**D**).



**STEP 3**

Release locks on underside of arms. Extend arms, place laptop in the holder, then adjust arms to width of laptop. Engage locks to secure laptop. If using a thicker laptop, turn the front bumpers to the upward position for additional support.





Love your new VIVO setup and want to share?  
Tag us in your photo! **@vivo\_us**

LAST UPDATED: 03/05/2020



Open **Monday - Friday 7:00am - 7:00pm** CST,

our dedicated support team can offer immediate assistance with rapid response times. If any parts are received damaged or defective, please contact us. We are happy to replace parts to ensure you have a fully functioning product.



help@vivo-us.com

**AVG. RESPONSE TIME** (*within office hrs*): **1HR 8M**

- 23% within < 15m
- 38% within < 30m
- 61% within < 1hr
- 83% within < 2hr
- 92% within < 3hr



www.vivo-us.com  
*Chat live with an agent!*

**AVG. RESOLUTION TIME** (*within office hrs*): **< 15 M**



309-278-5303

**AVG. RESOLUTION TIME** (*within office hrs*): **5M 4S**

FOR MORE VIVO PRODUCTS, CHECK OUT OUR WEBSITE AT: [www.vivo-us.com](http://www.vivo-us.com)