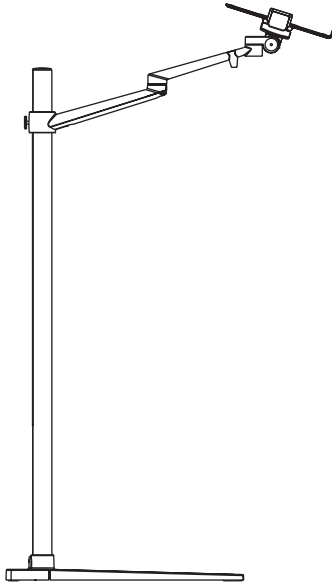




Aluminum Laptop Floor Stand

Instruction Manual



SKU: STAND-LAP1F



Scan the QR code with your mobile device or follow the link for helpful videos and specifications related to this product.

<https://vivo-us.com/products/stand-lap1f>

GET IN TOUCH | Monday-Friday from 7:00am-7:00pm CST



help@vivo-us.com



www.vivo-us.com
Chat live with an agent!



309-278-5303

WARNING!

If you do not understand these directions, or if you have any doubts about the safety of the installation, please call a qualified technician. Check carefully to make sure there are no missing or defective parts. Improper installation may cause damage or serious injury. Do not use this product for any purpose that is not explicitly specified in this manual. Do not exceed weight capacity. We cannot be liable for damage or injury caused by improper mounting, incorrect assembly or inappropriate use.

TIPOVER WARNING

SERIOUS OR FATAL CRUSHING INJURIES CAN OCCUR FROM TIPOVER. TO HELP PREVENT TIPOVER:

- NEVER ALLOW CHILDREN TO CLIMB, STAND, HANG, OR PLAY ON ANY PART OF THE STAND
- USE TIPOVER RESTRAINT OR ANCHOR STAND TO WALL

USE OF TIPOVER RESTRAINTS MAY ONLY REDUCE, BUT NOT ELIMINATE RISK OF TIPOVER.

PACKAGE CONTENTS



A (x1)
Base



B (x1)
Left Foot



C (x1)
Pole



D (x1)
Arm



E (x1)
Pole Cap



F (x1)
Laptop Hinge



G (x1)
Tablet Hinge



H (x1)
Tablet Holder



I (x1)
Laptop Tray



S-A (x2)
M6x10mm



S-B (x1)
M10x25mm



S-C (x1)
M5x16mm



T-A (x1)
Allen Wrench Set

NOTE: SOME PARTS INCLUDED MAY NOT BE USED

DO NOT EXCEED WEIGHT CAPACITY.

Failure to do so may result in serious injury.



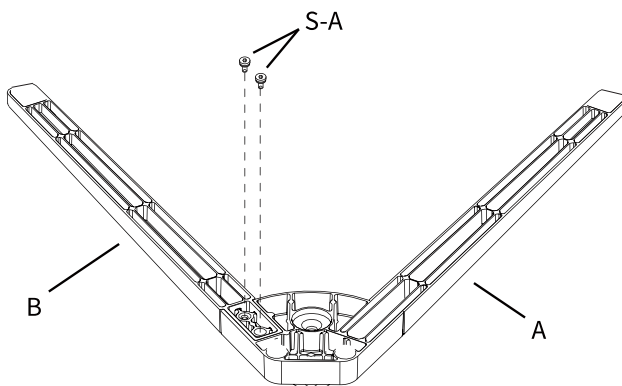
WARNING: CHOKING HAZARD

SMALL PARTS - NOT FOR CHILDREN UNDER 3 YEARS. ADULT SUPERVISION IS REQUIRED.

ASSEMBLY STEPS

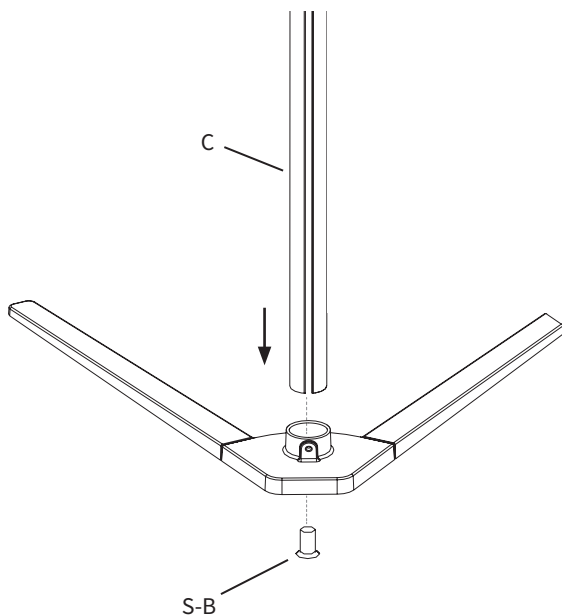
STEP 1

Assemble the Left Foot (**B**) to the Base (**A**) using M6x10mm Bolts (**S-A**). Tighten with the 4mm Allen Wrench (**T-A**).



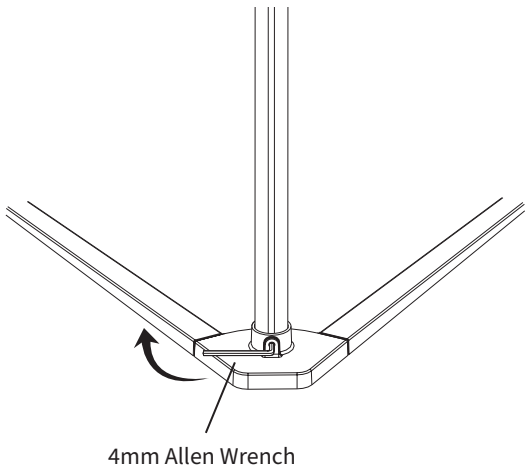
STEP 2

Insert the threaded side of Pole (**C**) into the base assembly, making sure the slot is facing towards the back. Secure the pole using M10x25mm Bolt (**S-B**) and the 6mm Allen Wrench (**T-A**).



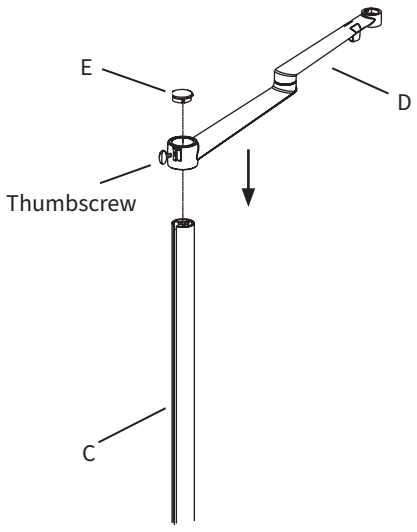
STEP 2 (Continued)

Tighten the rear set screw using the 4mm Allen Wrench (**T-A**).



STEP 3

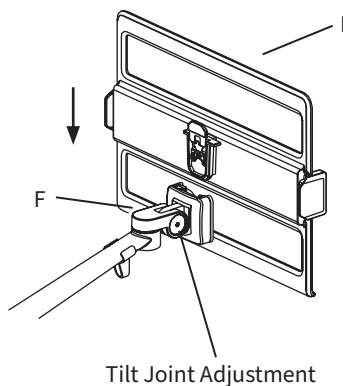
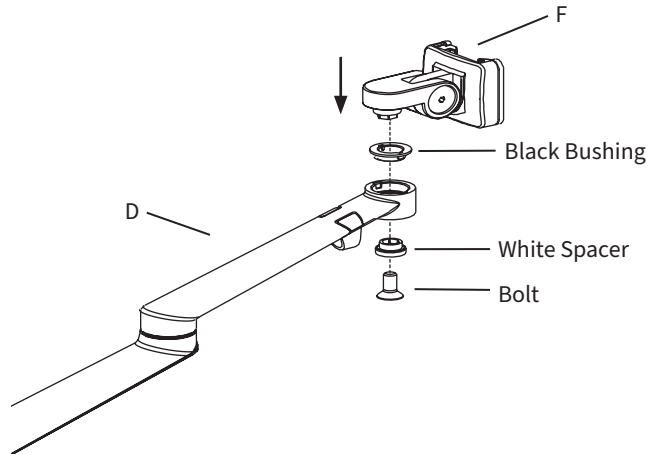
Slide the Arm (**D**) onto Pole (**C**), loosening the thumbscrew first if needed. Press the Pole Cap (**E**) into the top of Pole (**C**). Tighten thumbscrew at desired height for Arm (**D**).



STEP 4

OPTION A: Laptop Tray

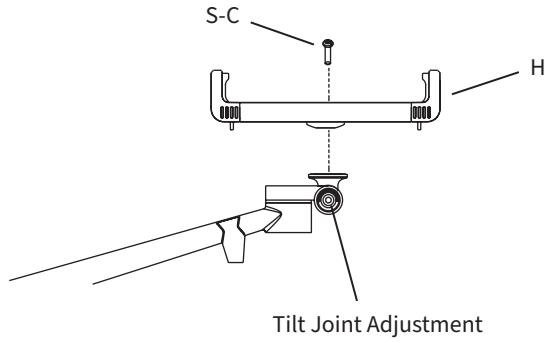
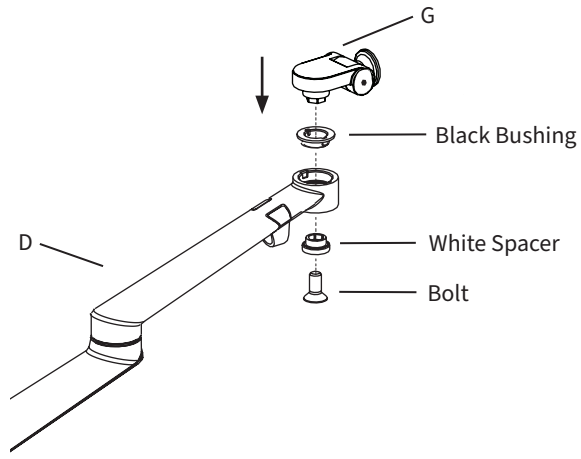
Remove the pre-installed bolt and white plastic spacer from the Laptop Hinge (F) using the 5mm Allen Wrench (T-A). Insert the hinge swivel joint into the top of the Arm (D), making sure the tabs in the black plastic bushing fit into the slots in the hole. Secure using the previously removed spacer and bolt with the 5mm Allen Wrench (T-A). Slide the Laptop Tray (I) into the Laptop Hinge (F) until the latch engages. Adjust the tilt joint if necessary using the 5mm Allen Wrench (T-A), then pull out on the sides of the tray and place the laptop computer into the tray.



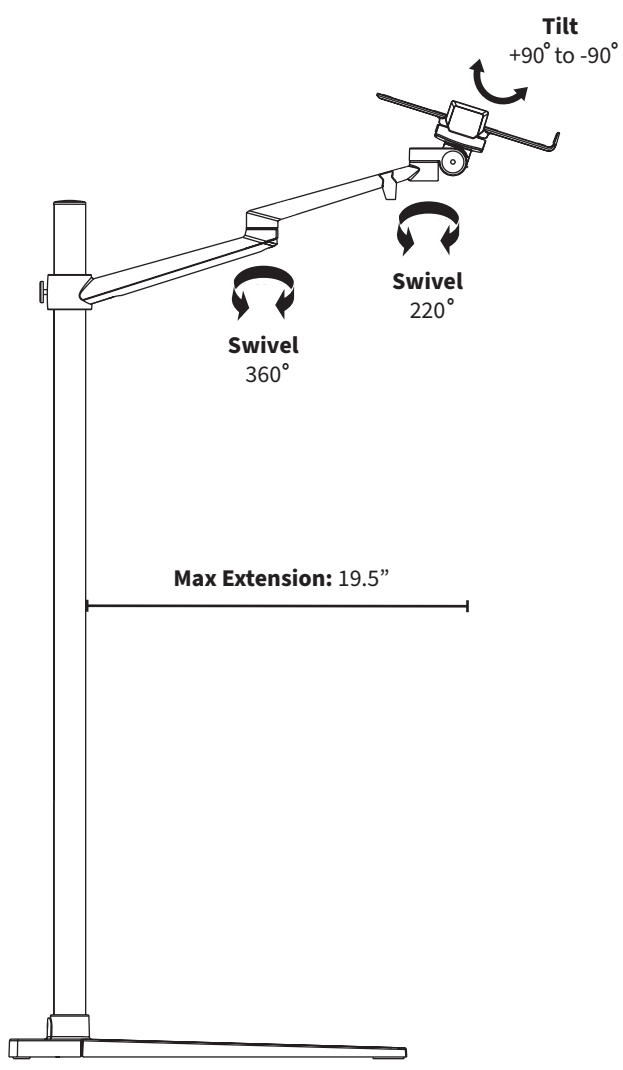
STEP 4 (Continued)

OPTION B: Tablet Holder

Remove the bolt and white plastic spacer from the Tablet Hinge (G) using the 5mm Allen Wrench (T-A). Insert the hinge swivel joint into the top of the Arm (D), making sure the tabs in the black plastic bushing fit into the slots in the hole. Secure using the previously removed spacer and bolt with the 5mm Allen Wrench (T-A). Install the Tablet Holder (H) using the M5x16mm Bolt (S-C) with the 4mm Allen Wrench (T-A). Adjust the tilt joint if necessary using the 4mm Allen Wrench (T-A), then pull out the holder clips and place the tablet into the Tablet Holder (H).



Adjust as Desired





Open **Monday - Friday 7:00am - 7:00pm** CST,
our dedicated support team can offer immediate assistance with rapid response times. If any parts are received damaged or defective, please contact us. We are happy to replace parts to ensure you have a fully functioning product.



309-278-5303

AVG. RESOLUTION TIME (*within office hrs*): **5M 4S**



www.vivo-us.com
Chat live with an agent!

AVG. RESOLUTION TIME (*within office hrs*): **< 15 M**



help@vivo-us.com

AVG. RESPONSE TIME (*within office hrs*): **1HR 8M**

- 23% within < 15m
- 38% within < 30m
- 61% within < 1hr
- 83% within < 2hr
- 92% within < 3hr