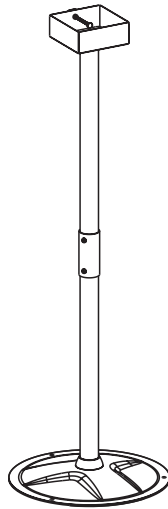


Black Hand Sanitizer Bottle Floor Stand Instruction Manual



SKU: STAND-HS04H



Scan the QR code with your mobile device or follow the link for helpful videos and specifications related to this product.

<https://vivo-us.com/products/stand-hs04h>

GET IN TOUCH | Monday-Friday from 7:00am-7:00pm CST



help@vivo-us.com



www.vivo-us.com
Chat live with an agent!



309-278-5303

⚠ WARNING!

If you do not understand these directions, or if you have any doubts about the safety of the installation, please call a qualified technician. Check carefully to make sure there are no missing or defective parts. Improper installation may cause damage or serious injury. Do not use this product for any purpose that is not explicitly specified in this manual. Do not exceed weight capacity. We cannot be liable for damage or injury caused by improper mounting, incorrect assembly or inappropriate use.

PACKAGE CONTENTS



A (x1)
Holder



B (x1)
Base



C (x1)
Lower Pole



D (x1)
Upper Pole



E (x1)
Pole
Connector



F (x1)
Cover



G (x3)
M6x20



H (x4)
M6x10



I (x1)
M6x10
Panhead



J (x1)
4mm Allen
Wrench



K (x3)
ST6.3x55



L (x3)
10x45 Anchor

TOOLS NEEDED



Phillips
Screwdriver



Drill



Drill Bit



Pencil

⚠ WARNING: CHOKING HAZARD

SMALL PARTS - NOT FOR CHILDREN UNDER 3 YEARS. ADULT SUPERVISION IS REQUIRED.

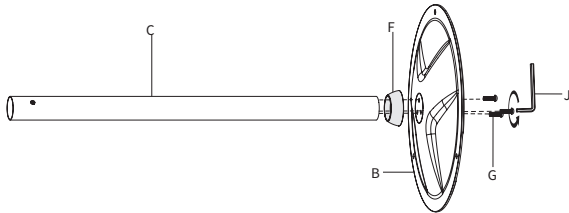
DO NOT EXCEED WEIGHT CAPACITY.
Failure to do so may result in serious injury.

11lbs
(5kg)

ASSEMBLY STEPS

STEP 1

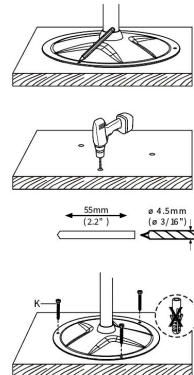
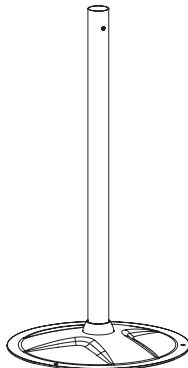
Assemble the lower pole (**C**) to the base (**B**) using the M6x20 bolts (**G**). Tighten with the 4mm Allen wrench (**J**) and slide the cover (**F**) down over the pole.



STEP 2

OPTION A: Wood Floor Mounting

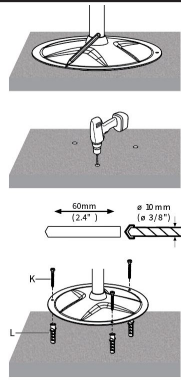
Place the base (**B**) on the desired location and mark drilling points with a pencil. Drill 2.2" (55mm) deep holes using a 3/16" (4.5mm) drill bit. Mount the base to the floor using ST6.3x55 screws (**K**).



STEP 2 (Continued)

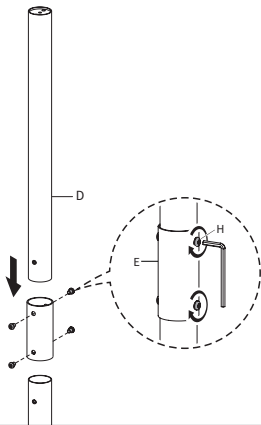
OPTION B: Concrete Floor Mounting

Place the base (**B**) on the desired location and mark drilling points with a pencil. Drill 2.4" (60mm) deep holes using a 3/8" (10mm) drill bit and insert 10x45 anchors (**L**) into the drilled holes. Mount the base to the floor using ST6.3x55 screws (**K**).



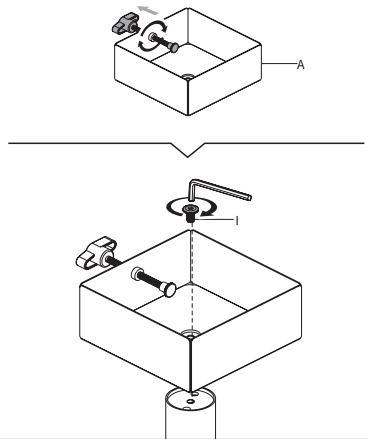
STEP 3

Assemble the upper pole (**D**) to the lower pole (**C**) using the pole connector (**E**) and M6x10 bolts (**H**). Tighten with the 4mm Allen wrench (**J**).



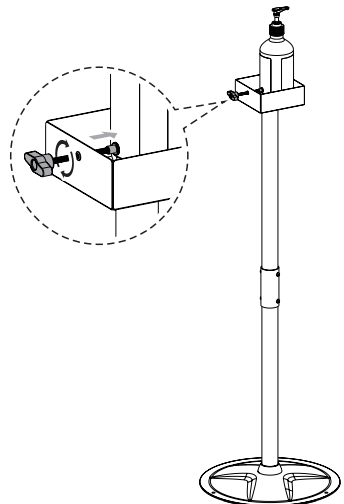
STEP 4


Assemble the holder (**A**) to the upper pole (**D**) using the M6x10 panhead bolt (**I**) and tighten with the 4mm Allen wrench (**J**).



STEP 5

Place the dispenser bottle into the holder (**A**), then tighten the pre-installed knob to secure the bottle.



 Love your new VIVO setup and want to share?
Tag us in your photo! [@vivo_us](#)

LAST UPDATED: 09/16/2020



Open **Monday - Friday 7:00am - 7:00pm** CST,
our dedicated support team can offer immediate assistance with rapid response times. If any parts are received damaged or defective, please contact us. We are happy to replace parts to ensure you have a fully functioning product.


 help@vivo-us.com

AVG. RESPONSE TIME (*within office hrs*): **1HR 8M**

- 23% within < 15m
- 38% within < 30m
- 61% within < 1hr
- 83% within < 2hr
- 92% within < 3hr

 www.vivo-us.com
Chat live with an agent!

AVG. RESOLUTION TIME (*within office hrs*): **< 15 M**

 309-278-5303

AVG. RESOLUTION TIME (*within office hrs*): **5M 4S**

FOR MORE VIVO PRODUCTS, CHECK OUT OUR WEBSITE AT: www.vivo-us.com