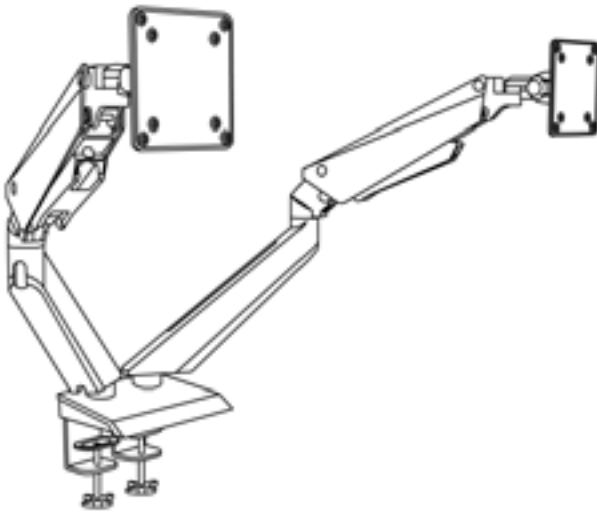




Dual Gaming Pneumatic Monitor - Blue LED Lights

Instruction Manual



SKU: STAND-GM2BB



Scan the QR code with your mobile device or follow the link for helpful videos and specifications related to this product.

<https://vivo-us.com/products/stand-gm2bb>

GET IN TOUCH | Monday-Friday from 7:00am-7:00pm CST



help@vivo-us.com



www.vivo-us.com
Chat live with an agent!



309-278-5303

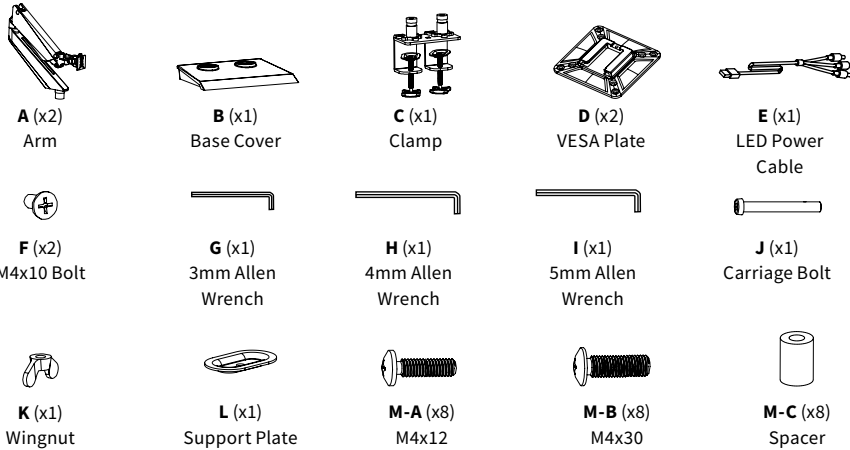
⚠ WARNING!

If you do not understand these directions, or if you have any doubts about the safety of the installation, please call a qualified technician. Check carefully to make sure there are no missing or defective parts. Improper installation may cause damage or serious injury. Do not use this product for any purpose that is not explicitly specified in this manual. Do not exceed weight capacity. We cannot be liable for damage or injury caused by improper mounting, incorrect assembly or inappropriate use.

⚠ WARNING: CHOKING HAZARD

SMALL PARTS - NOT FOR CHILDREN UNDER 3 YEARS. ADULT SUPERVISION IS REQUIRED.

PACKAGE CONTENTS



NOTE: SOME HARDWARE MAY NOT BE USED

TOOLS NEEDED



DO NOT EXCEED WEIGHT CAPACITY.
Failure to do so may result in serious injury.

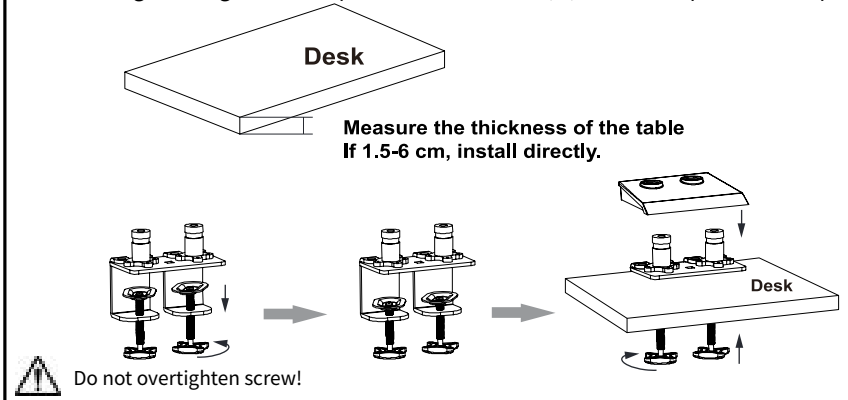


ASSEMBLY STEPS

STEP 1

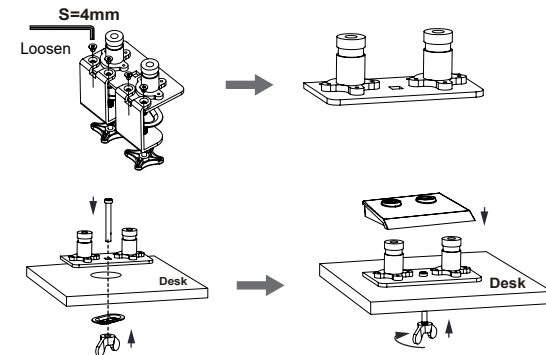
OPTION A: Clamp Installation

Loosen the hand bolts on the clamp (C) to fit the desk thickness. Place the clamp on the desk edge and tighten, then press the base cover (B) over the top of the clamp.



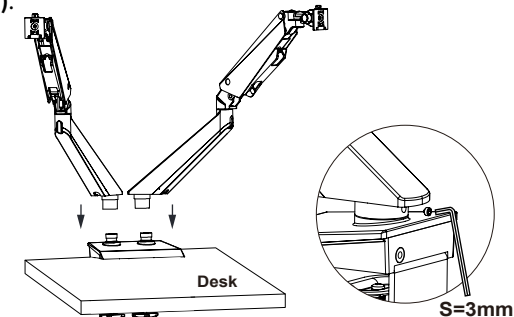
OPTION B: Grommet Installation

Remove the clamps from the base (C) using the 4mm Allen wrench (H). Drop the carriage bolt (J) down through the square hole in the base and position over the desk grommet hole (if needed, drill a 3/8" [10mm] hole through desk), and secure using the support plate (L) and wingnut (K). Press the base cover (B) over the top of the base.



STEP 2

Place the arms (A) on top of the base (C).



STEP 3

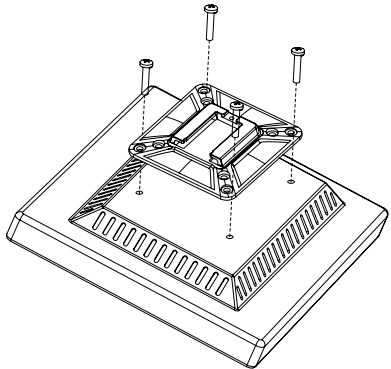
OPTION A: Flat Back Monitors

Attach the VESA plates (D) to the monitors using M4x12 bolts (M-A), making sure the opening on each is facing towards the bottom of the monitor, and tighten with a Phillips screwdriver.

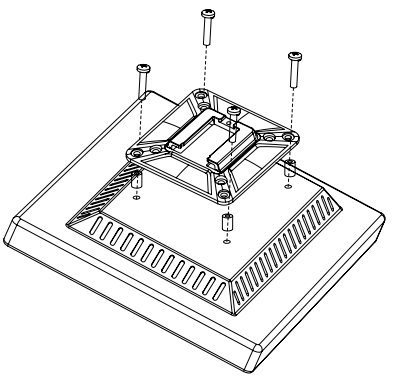
OPTION B: Curved or Recessed Back Monitors

Attach the VESA plates (D) to the monitors using M4x30 bolts (M-B) and spacers (M-C), making sure the opening on each is facing towards the bottom of the monitor, and tighten with a Phillips screwdriver.

FLAT SCREEN MONITORS

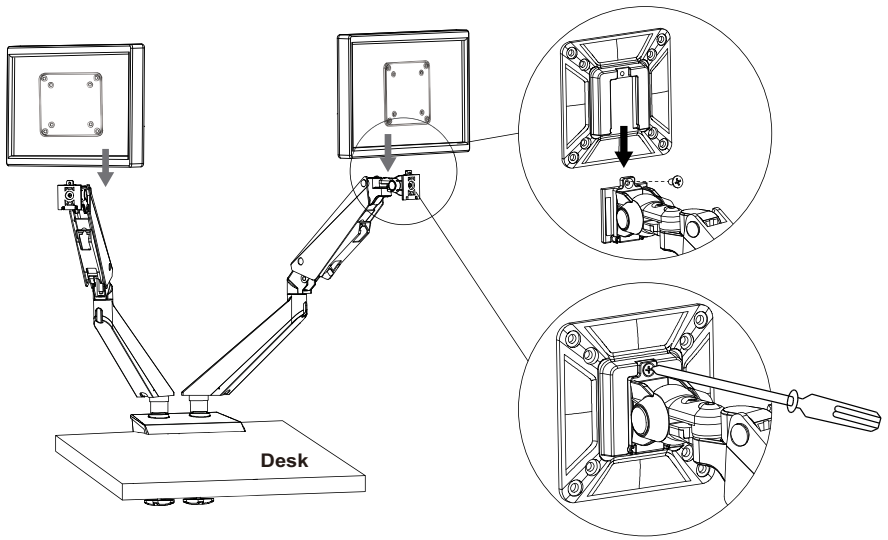


CURVED SCREEN MONITORS



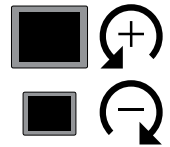
STEP 4

Slide the monitors with VESA plates (D) onto the heads of the arms (A), and secure using M4x10 bolts (F) with a Phillips screwdriver.

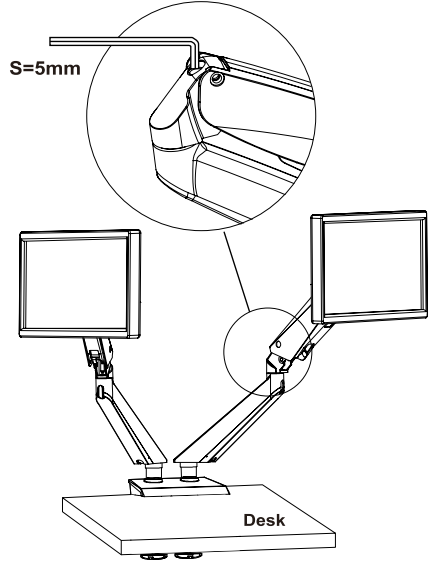


STEP 5

Slide the monitors with VESA plates (D) onto the heads of the arms (A), and secure using M4x10 bolts (F) with a Phillips screwdriver. If needed, adjust the gas spring in each arm to support the monitors using the 5mm Allen wrench (I). While holding the arm in the straight forward position, turn the screw in back clockwise to decrease support, and counter-clockwise to increase.

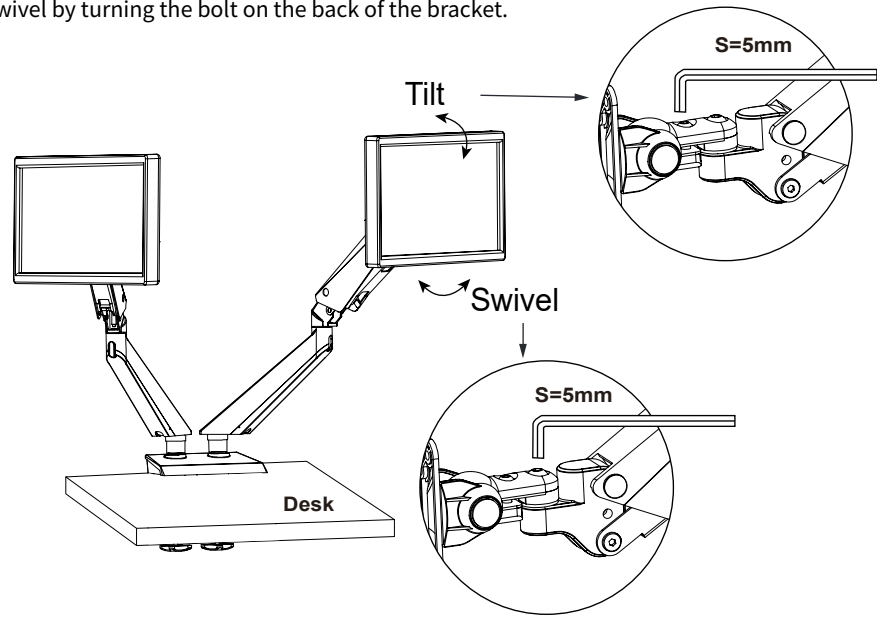


Be sure to keep the arm in horizontal position during adjustment. Or else, it would be difficult to adjust the mount.

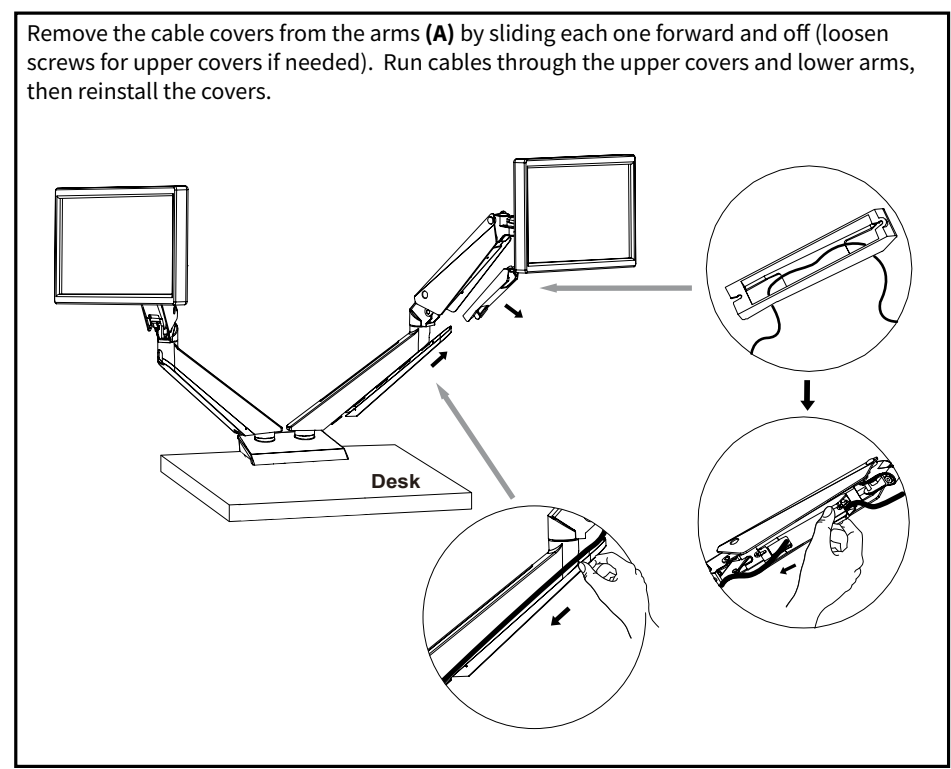


STEP 6

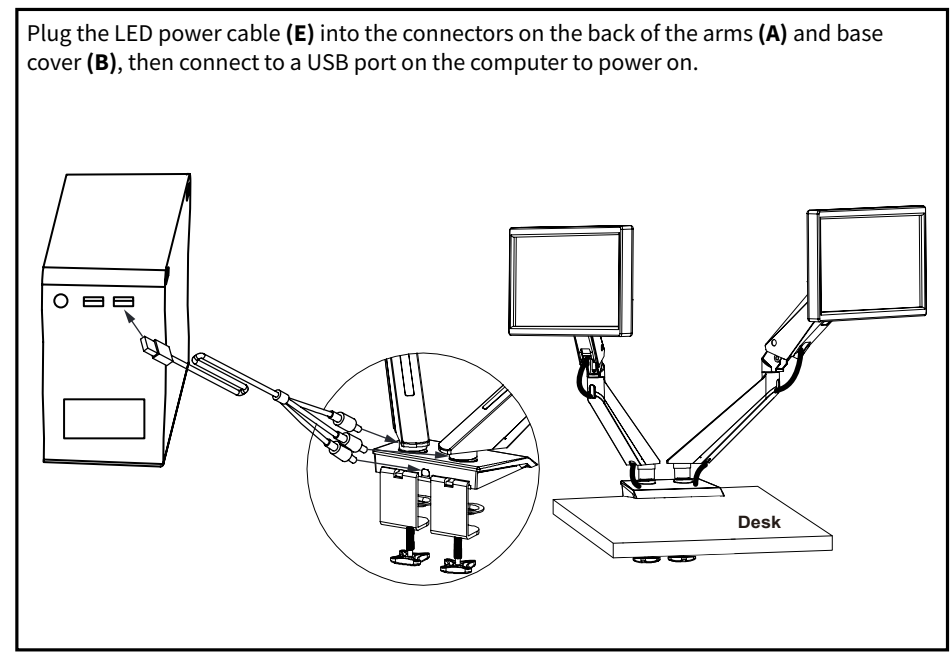
Adjust the tilt support by turning the bolt immediately behind each tilt joint, and the swivel by turning the bolt on the back of the bracket.



STEP 7



STEP 8





Love your new VIVO setup and want to share?
Tag us in your photo! **@vivo_us**

LAST UPDATED: 03/05/2020



Open **Monday - Friday 7:00am - 7:00pm** CST,

our dedicated support team can offer immediate assistance with rapid response times. If any parts are received damaged or defective, please contact us. We are happy to replace parts to ensure you have a fully functioning product.



help@vivo-us.com

AVG. RESPONSE TIME (*within office hrs*): **1HR 8M**

- 23% within < 15m
- 38% within < 30m
- 61% within < 1hr
- 83% within < 2hr
- 92% within < 3hr



www.vivo-us.com
Chat live with an agent!

AVG. RESOLUTION TIME (*within office hrs*): **< 15 M**



309-278-5303

AVG. RESOLUTION TIME (*within office hrs*): **5M 4S**

FOR MORE VIVO PRODUCTS, CHECK OUT OUR WEBSITE AT: www.vivo-us.com