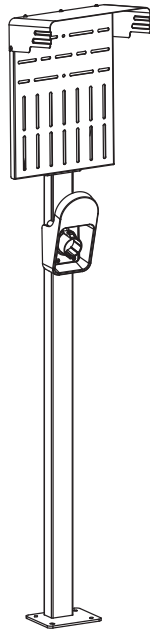




Black EV Charging Stand

Instruction Manual



SKU: STAND-EV01C



Scan the QR code with your mobile device or follow the link for helpful videos and specifications related to this product.

<https://vivo-us.com/products/stand-ev01c>

GET IN TOUCH | Monday-Friday from 7:00am-7:00pm CST



help@vivo-us.com



www.vivo-us.com
Chat live with an agent!



309-278-5303

⚠️ WARNING!

If you do not understand these directions, or if you have any doubts about the safety of the installation, please call a qualified technician. Check carefully to make sure there are no missing or defective parts. Improper installation may cause damage or serious injury. Do not use this product for any purpose that is not explicitly specified in this manual. Do not exceed weight capacity. We cannot be liable for damage or injury caused by improper mounting, incorrect assembly or inappropriate use.

⚠️ TIPOVER WARNING

SERIOUS OR FATAL CRUSHING INJURIES CAN OCCUR FROM TIPOVER. TO HELP PREVENT TIPOVER:

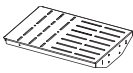
- NEVER ALLOW CHILDREN TO CLIMB, STAND, HANG, OR PLAY ON ANY PART OF CHARGING STAND.

USE OF TIPOVER RESTRAINTS MAY ONLY REDUCE, BUT NOT ELIMINATE RISK OF TIPOVER.

PACKAGE CONTENTS



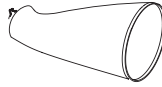
A (x1)
Stand



B (x1)
Mounting Plate



C (x1)
Baffle



D (x1)
Cover



E (x1)
Cable Holder



F (x1)
Plug Mount



S-A (x4)
M6x8mm Screw



S-B (x5)
M5x8mm Screw



S-C (x4)
M5x25mm Screw



M-A (x6)
M4x16mm Screw



M-B (x6)
M5x16mm Screw



M-C (x6)
M6x16mm Screws



M-D (x6)
M5 Nut



M-E (x6)
M6 Nut



W-A (x4)
ST6.3x55mm Screw



W-B (x4)
Concrete Anchor



W-C (x4)
M6 Washer



T-A (x1)
4mm Allen Wrench



T-B (x1)
Wrench

NOTE: SOME HARDWARE INCLUDED MAY NOT BE USED

TOOLS NEEDED



Phillips
Screwdriver



Pencil



Drill

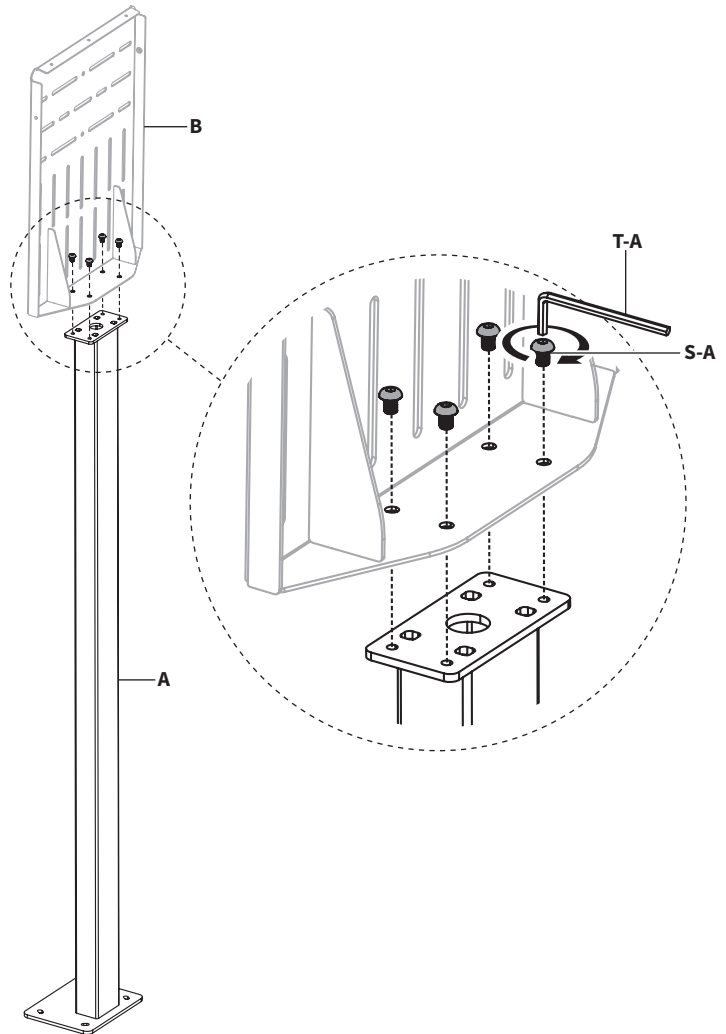


DO NOT EXCEED WEIGHT CAPACITY.
Failure to do so may result in serious injury.

ASSEMBLY STEPS

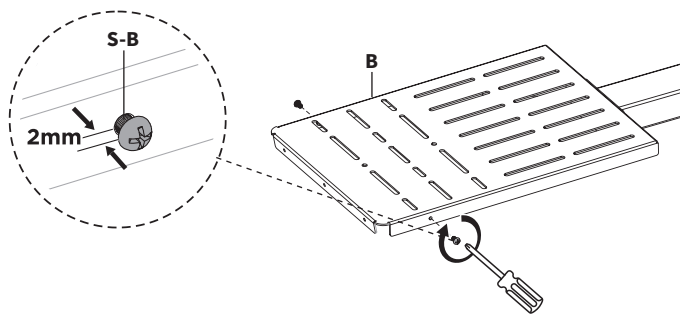
STEP 1

Assemble Mounting Plate (**B**) to Stand (**A**) using M6x8mm Screws (**S-A**) and 4mm Allen Wrench (**T-A**).

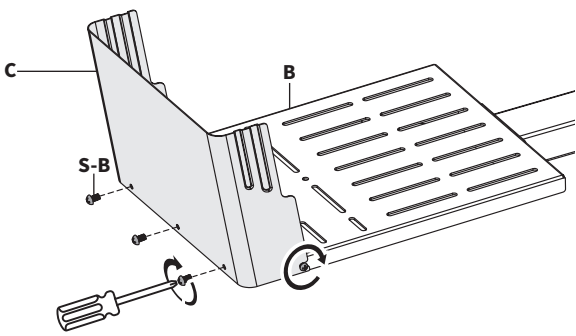


STEP 2

Partially install two M5x8mm Screws (**S-B**) into the sides of Mounting Plate (**B**) using a Phillips screwdriver, leaving 2mm remaining.

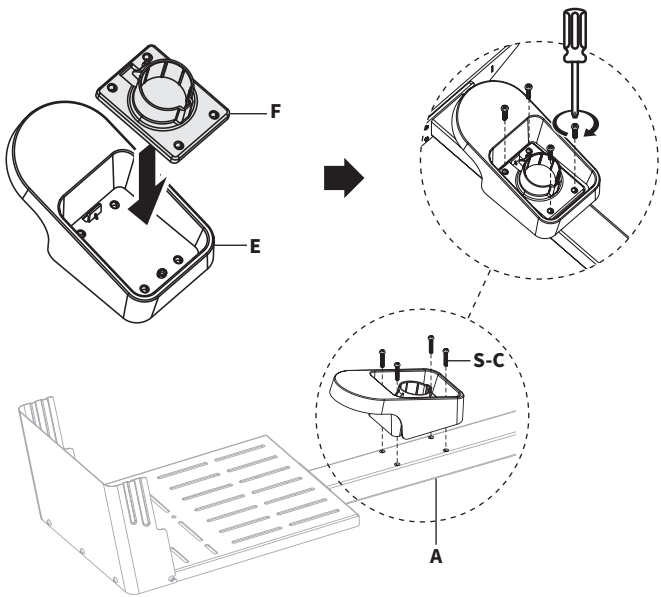


Attach Baffle (**C**) over Mounting Plate (**B**) using remaining M5x8mm Screws (**S-B**) and a Phillips screwdriver. Fully tighten the previously installed screws with a Phillips screwdriver.



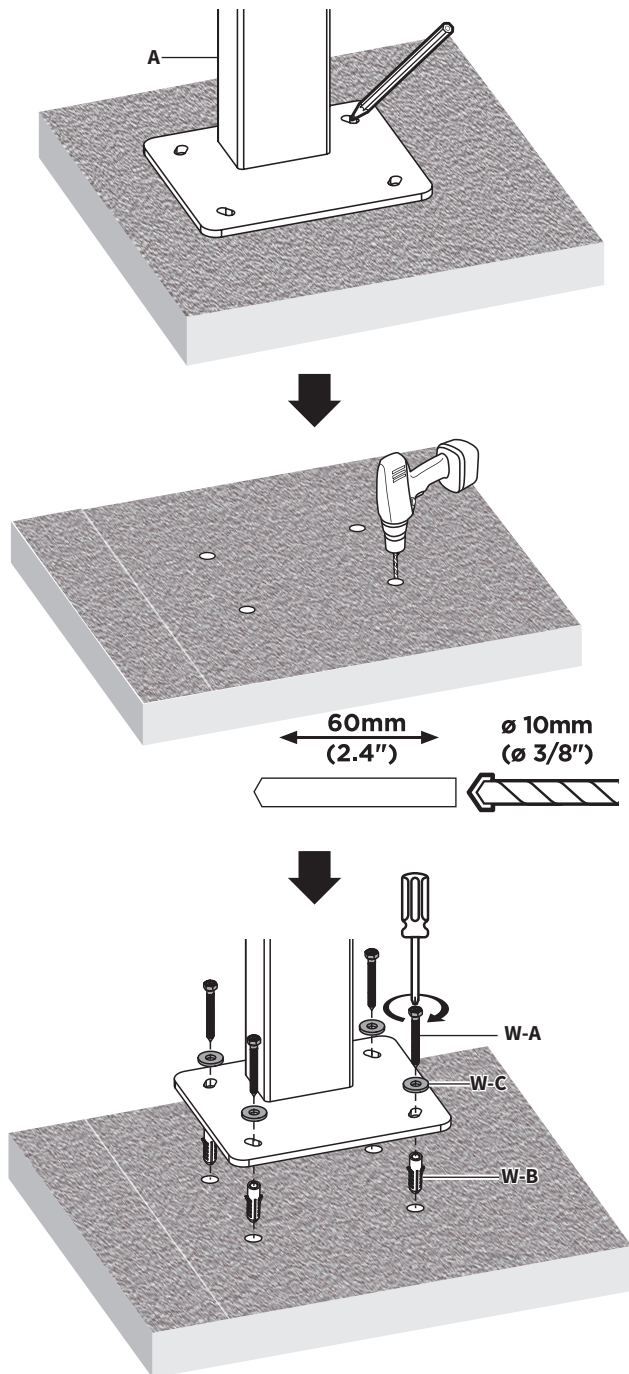
STEP 3

Assemble Plug Mount (**F**) with Cable Holder (**E**) to Stand (**A**) using M5x25mm Screws (**S-C**) and a Phillips screwdriver.



STEP 4

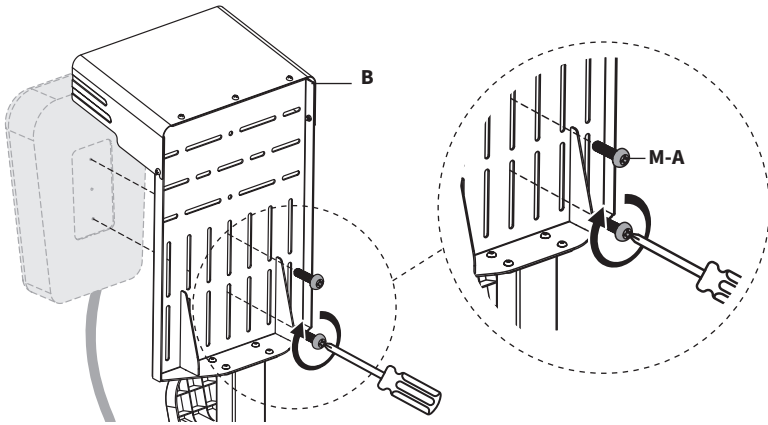
Place Stand **(A)** in the desired location and mark mounting holes with a pencil. Pre-drill four 60mm (2.4") deep holes into concrete using a drill with a 10mm (3/8") bit. Secure Insert Concrete Anchors **(W-B)** into predrilled holes and secure Stand **(A)** to concrete using ST6.3x55 Screws **(W-A)** with M6 Washers **(W-C)**. Tighten using a Phillips screwdriver.



STEP 5

Option A - Direct Mounting:

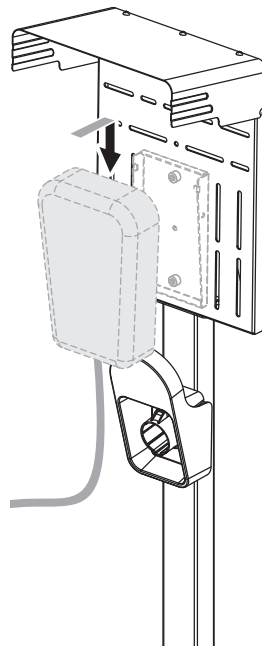
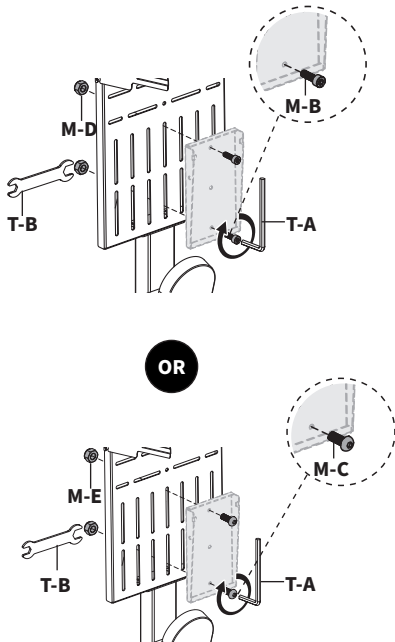
Secure charging base to Mounting Plate (B) using M4x16mm Screws (M-A) and a Phillips screwdriver.



Option B - Adapter Mounting:

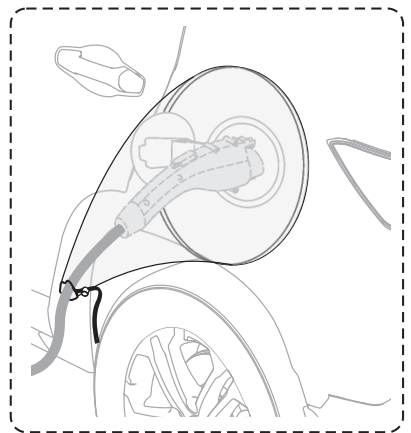
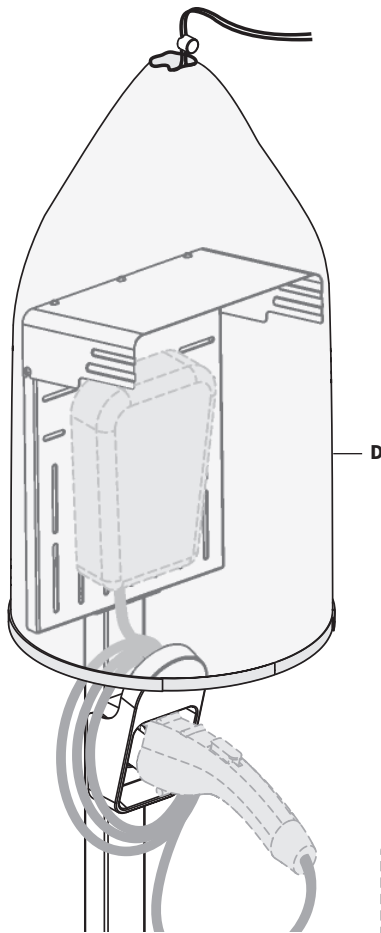
If your charging station came with a wall bracket or adapter, you may attach that bracket/adapter directly to the stand for an alternative mounting option. Attach the bracket to Mounting Plate (B) using appropriate Screws (M-B or M-C), Nuts (M-D or M-E), Wrench (T-B), and 4mm Allen Wrench (T-A).


Secure charging base to mounted adapter bracket.



STEP 6

Place Cover **(D)** over the top of assembled stand. Cover can slide over charger to protect against rain when actively charging. Outer ring is magnetic and can easily attach to side of car to create a protective barrier.



 Love your new VIVO setup and want to share?
Tag us in your photo! **@vivo_us**

LAST UPDATED: 10/17/2022
REV1



Open **Monday - Friday 7:00am - 7:00pm** CST,
our dedicated support team can offer immediate assistance with rapid response times. If any parts are received damaged or defective, please contact us. We are happy to replace parts to ensure you have a fully functioning product.



309-278-5303

AVG. RESOLUTION TIME (*within office hrs*): **5M 4S**



www.vivo-us.com
Chat live with an agent!

AVG. RESOLUTION TIME (*within office hrs*): **< 15 M**



help@vivo-us.com

AVG. RESPONSE TIME (*within office hrs*): **1HR 8M**

- 23% within < 15m
- 38% within < 30m
- 61% within < 1hr
- 83% within < 2hr
- 92% within < 3hr

FOR MORE VIVO PRODUCTS, CHECK OUT OUR WEBSITE AT: www.vivo-us.com