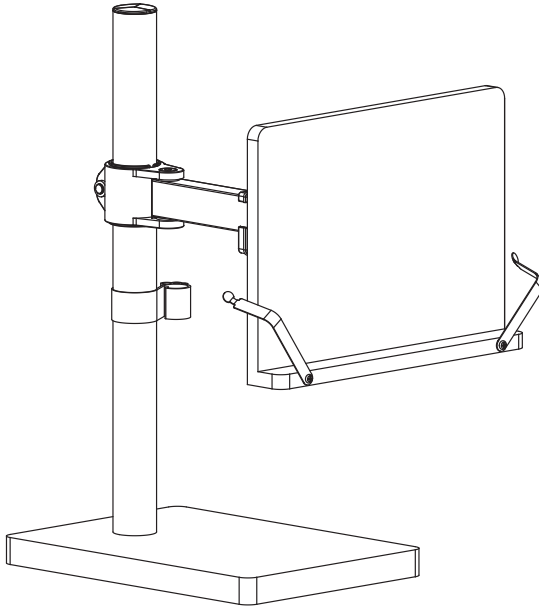


Bamboo Book Stand

Instruction Manual



SKU: STAND-BK01B,W



Scan the QR code with your mobile device or follow the link for helpful videos and specifications related to this product.

<https://vivo-us.com/products/stand-bk01b>

GET IN TOUCH | Monday-Friday from 7:00am-7:00pm CST



help@vivo-us.com



www.vivo-us.com
Chat live with an agent!



309-278-5303

WARNING!

If you do not understand these directions, or if you have any doubts about the safety of the installation, please call a qualified technician. Check carefully to make sure there are no missing or defective parts. Improper installation may cause damage or serious injury. Do not use this product for any purpose that is not explicitly specified in this manual and do not exceed weight capacity. We cannot be liable for damage or injury caused by improper mounting, incorrect assembly, or inappropriate use.

WARNING: CHOKING HAZARD

SMALL PARTS - NOT FOR CHILDREN UNDER 3 YEARS. ADULT SUPERVISION IS REQUIRED.

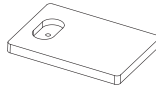
PACKAGE CONTENTS



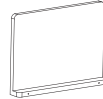
A (x1)
Pole



B (x1)
Arm



C (x1)
Base



D (x1)
Tray



E (x1)
VESA Plate



F (x1)
Pole Cap



G (x1)
Support Plate



H (x1)
Cable Clip



I (x1)
Pole Cable Clip



J (x2)
Page Clip



K (x4)
Pad



S-A (x6)
ST3.5x10mm Screw



S-B (x1)
M10x30mm Screw



T-A (x1)
5mm Allen Wrench



T-B (x1)
6mm Allen Wrench

TOOLS NEEDED

DO NOT EXCEED WEIGHT CAPACITY.
Failure to do so may result in serious injury.

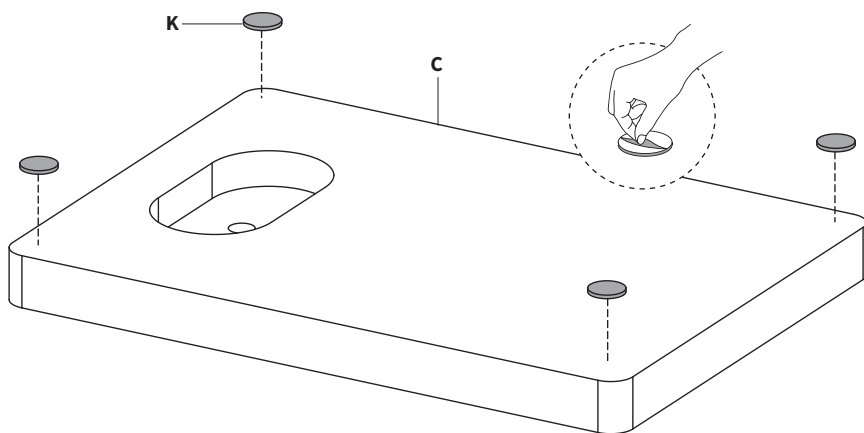


**Phillips
Screwdriver**

ASSEMBLY STEPS

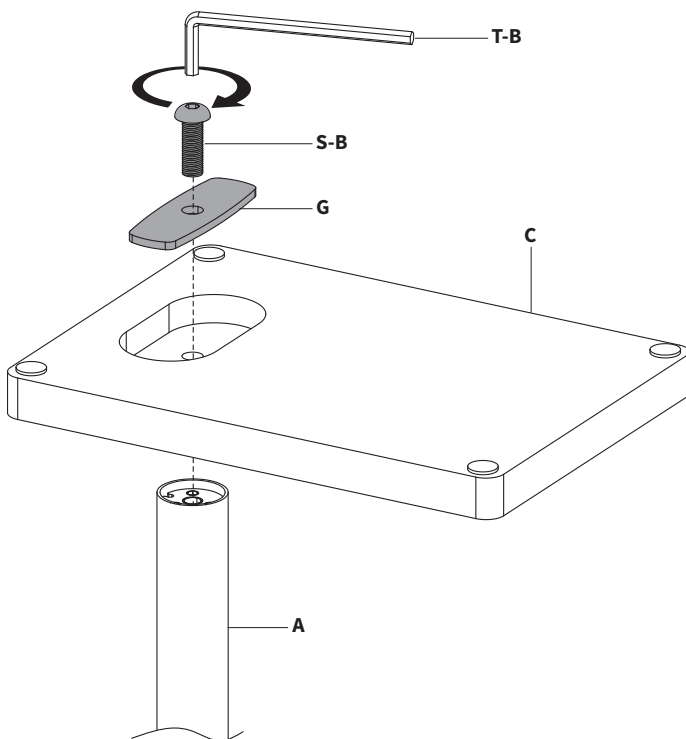
STEP 1

Remove adhesive backing from Pads (K) and apply them to the underside of Base (C).



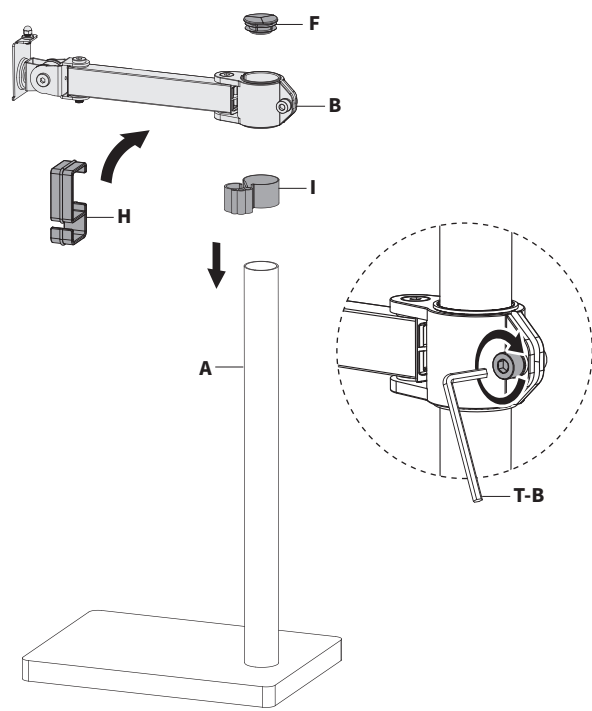
STEP 2

Connect Pole (A) to Base (C) using Support Plate (G), M10x30mm Screw (S-B), and 6mm Allen Wrench (T-B).



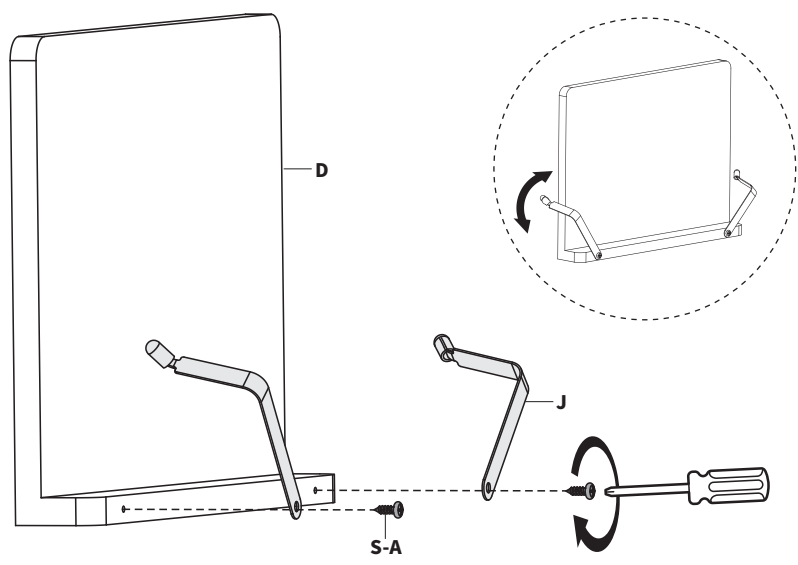
STEP 3

Turn assembly over and slide Pole Cable Clip (I), Arm (B), and Pole Cap (F) onto Pole (A). Secure Arm (B) using 6mm Allen Wrench (T-B). Place Cable Clip (H) onto Arm (B).



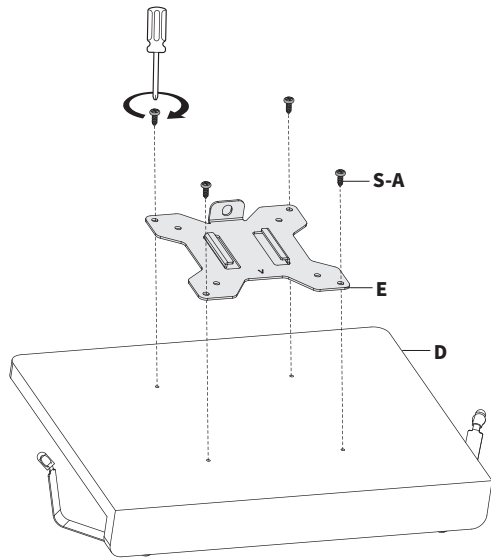
STEP 4

Connect Page Clips (J) to Tray (D) using ST3.5x10mm Screws (S-A) and a Phillips screwdriver.

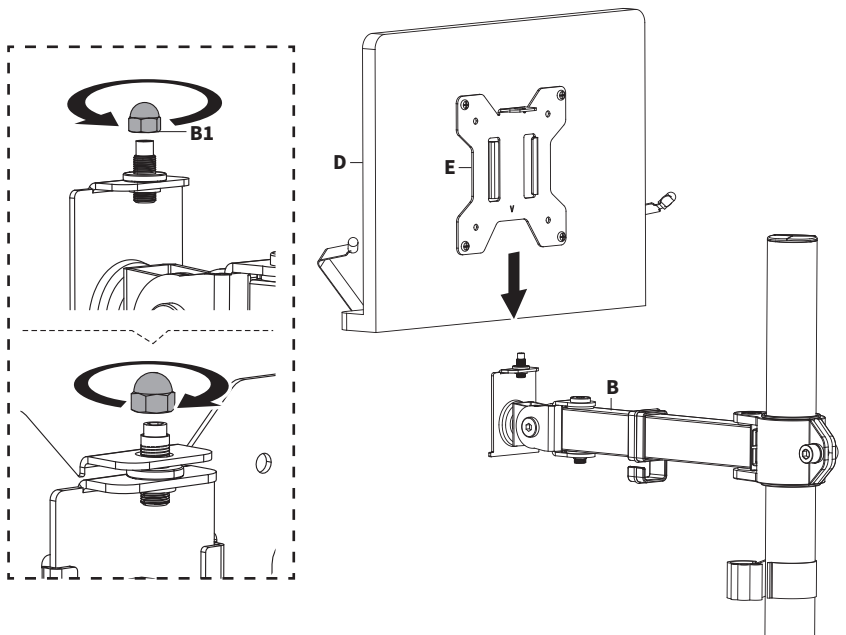


STEP 5

Place VESA Plate (**E**) on to the back of Tray (**D**) and secure using ST3.5x10mm Screws (**S-A**) and a Phillips screwdriver.

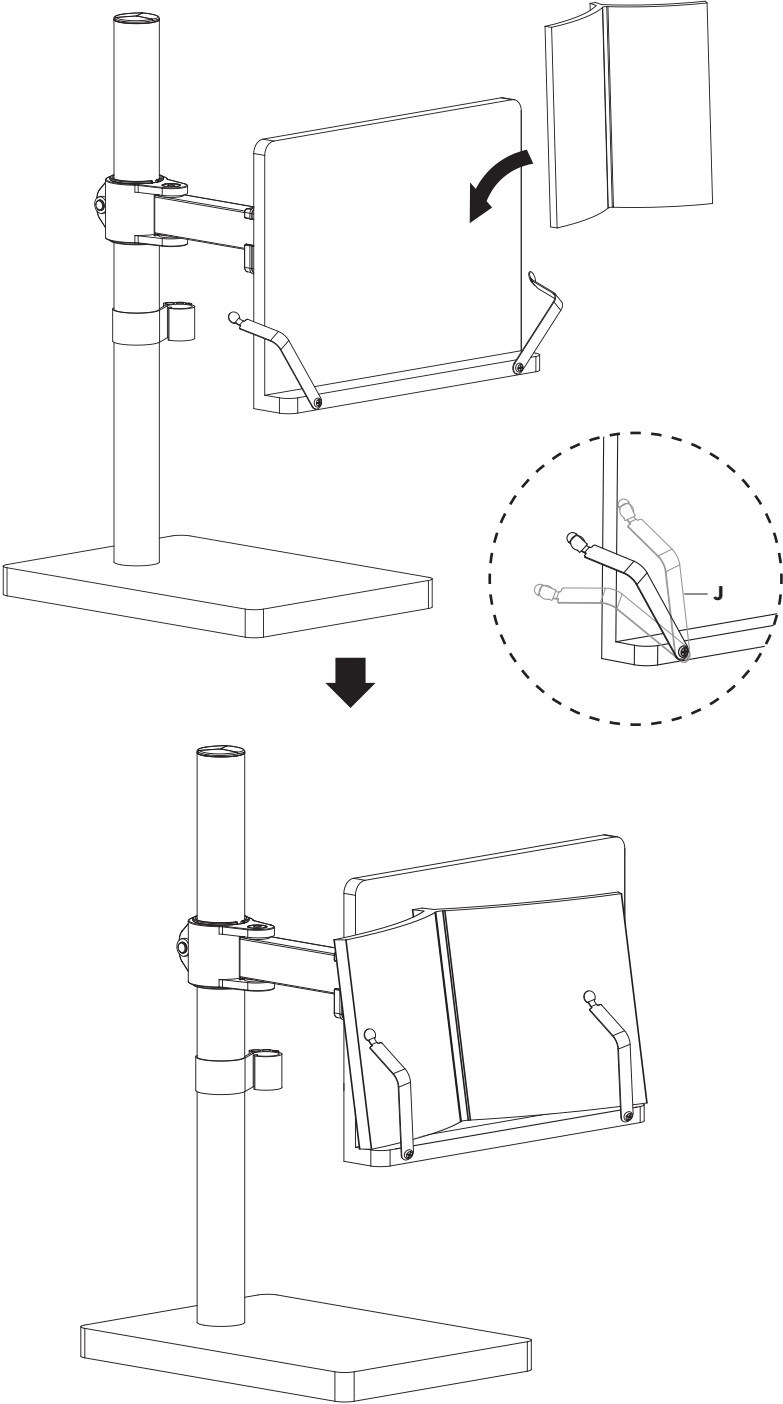


Remove Security Nut (**B1**) from Arm (**B**) and slide Tray (**D**) with VESA Plate (**E**) onto Arm. Secure using Security Nut (**B1**).



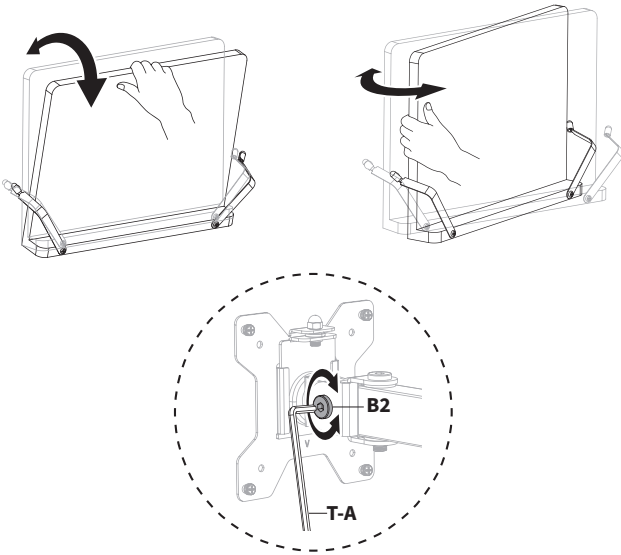
STEP 6

Place book on assembled stand. Adjust Page Clips (**J**) as needed to hold pages.

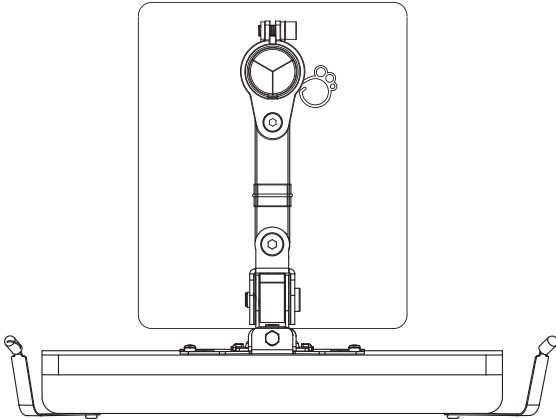


Articulation

Tray can be rotated and positioned as needed. If assembled stand is not holding desired position, tighten Adjustment Screw **(B2)** using 5mm Allen Wrench **(T-A)**.



WARNING:
TO AVOID TIPPING, the arm should only be used while positioned directly over the base.





Love your new VIVO setup and want to share?
Tag us in your photo! **@vivo_us**

LAST UPDATED: 11/10/2023
REV1.2



Open **Monday - Friday 7:00am - 7:00pm** CST,
our dedicated support team can offer immediate assistance with rapid response times. If any parts are received damaged or defective, please contact us. We are happy to replace parts to ensure you have a fully functioning product.



309-278-5303

AVG. RESOLUTION TIME (*within office hrs*): **5M 4S**



www.vivo-us.com
Chat live with an agent!

AVG. RESOLUTION TIME (*within office hrs*): **< 15 M**



help@vivo-us.com

AVG. RESPONSE TIME (*within office hrs*): **1HR 8M**

- 23% within < 15m
- 38% within < 30m
- 61% within < 1hr
- 83% within < 2hr
- 92% within < 3hr

FOR MORE VIVO PRODUCTS, CHECK OUT OUR WEBSITE AT: www.vivo-us.com