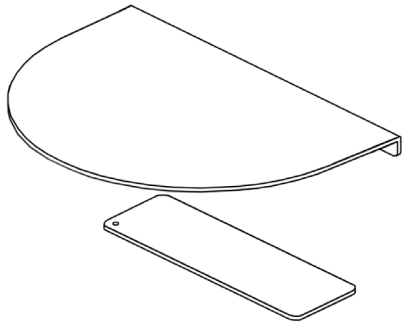
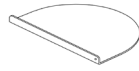




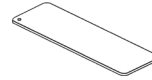
Reinforcement Bracket for C-clamp Installations



PACKAGE CONTENTS & ASSEMBLY STEPS



1 (x1)
Main Plate



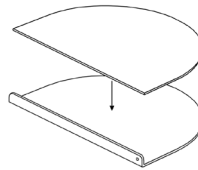
2 (x1)
Support Plate



3 (x1)
Adhesive Pad

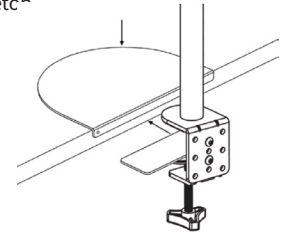
STEP 1:

Attach the Adhesive Pad (3) to the underside of the Main Plate (1).



STEP 2:

Place the Main Plate (1) to the tabletop. Using the Support Plate (2) underneath, secure your monitor clamp mount on the tabletop.



SKU: STAND-AC01R

Love your new VIVO setup and want to share?

Tag us in your photo! @vivo_us



Scan the QR code with your mobile device or follow the link for helpful videos and specifications related to this product.

<https://vivo-us.com/products/stand-ac01r>



⚠ WARNING!

If you do not understand these directions, or if you have any doubts about the safety of the installation, please call a qualified technician. Check carefully to make sure there are no missing or defective parts. Improper installation may cause damage or serious injury. Do not use this product for any purpose that is not explicitly specified in this manual and do not exceed weight capacity. We cannot be liable for damage or injury caused by improper mounting, incorrect assembly, or inappropriate use.

Open **Monday - Friday 7:00am - 7:00pm CST**,

our dedicated support team can offer immediate assistance with rapid response times. If any parts are received damaged or defective, please contact us.

We are happy to replace parts to ensure you have a fully functioning product.



309-278-5303

AVG. RESOLUTION TIME (within office hrs): **5M 4S**



www.vivo-us.com

Chat live with an agent!

AVG. RESOLUTION TIME (within office hrs): **< 15 M**



help@vivo-us.com

AVG. RESPONSE TIME (within office hrs): **1HR 8M**