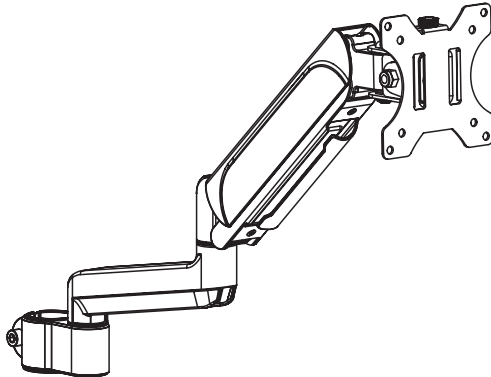




---

## Single Pneumatic Monitor Arm for Desk Stand Instruction Manual



**SKU: PT-SD-AM01K**



Scan the QR code with your mobile device or follow the link for helpful videos and specifications related to this product.

<https://vivo-us.com/products/pt-sd-am01k>

---

GET IN TOUCH | Monday-Friday from 7:00am-7:00pm CST



help@vivo-us.com



www.vivo-us.com  
*Chat live with an agent!*



309-278-5303

# ⚠ WARNING!

If you do not understand these directions, or if you have any doubts about the safety of the installation, please call a qualified technician. Check carefully to make sure there are no missing or defective parts. Improper installation may cause damage or serious injury. Do not use this product for any purpose that is not explicitly specified in this manual. Do not exceed weight capacity. We cannot be liable for damage or injury caused by improper mounting, incorrect assembly or inappropriate use.

## ⚠ WARNING: CHOKING HAZARD

SMALL PARTS - NOT FOR CHILDREN UNDER 3 YEARS. ADULT SUPERVISION IS REQUIRED.

### PACKAGE CONTENTS



**A** (x1)  
Arm



**B** (x1)  
VESA Plate



**C** (x1)  
M6 Thumbscrew



**D** (x1)  
6mm Allen  
Wrench



**M-A** (x4)  
M4x12



**M-B** (x4)  
M4x16



**M-C** (x4)  
M5x12



**M-D** (x4)  
M5x16



**M-E** (x4)  
D5 Washer



**M-F** (x4)  
Spacer

### TOOLS NEEDED



Phillips  
Screwdriver

**NOTE:** SOME HARDWARE INCLUDED MAY NOT BE USED

DO NOT EXCEED WEIGHT CAPACITY.

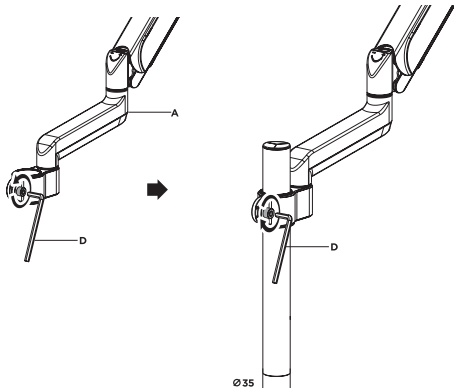
Failure to do so may result in serious injury.



### ASSEMBLY STEPS

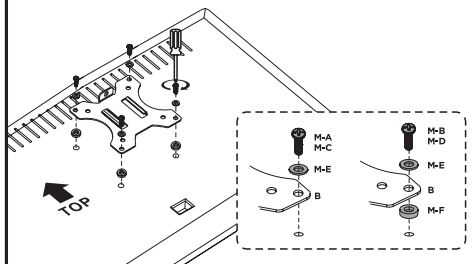
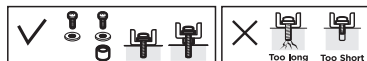
#### STEP 1

Slide the arm (**A**) onto the pole and tighten using the 6mm Allen wrench (**D**). The pole must have a diameter of 35mm (1-3/8") for the arm to fit.



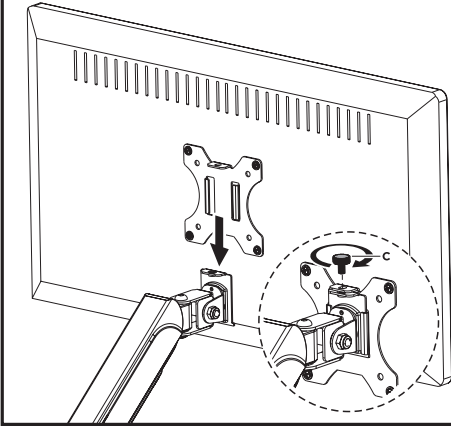
#### STEP 2

Attach the VESA plate (**B**) to the back of the monitor using bolts (**M-A through M-D**) and washers (**M-E**). If needed, use spacers (**M-F**) between the monitor and VESA plate.



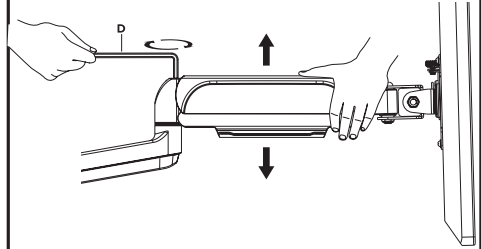
### STEP 3

Slide the VESA plate **(B)** with monitor over the bracket on the arm **(A)**. Secure using the M6 thumbscrew **(C)**.



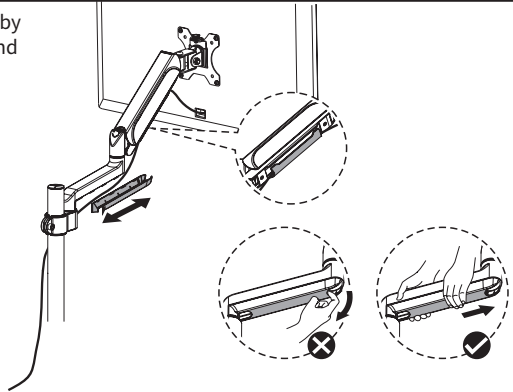
### STEP 4

Adjust gas spring support in the arm using the Allen wrench **(D)**. Turning counter-clockwise increases support, and clockwise decreases support.



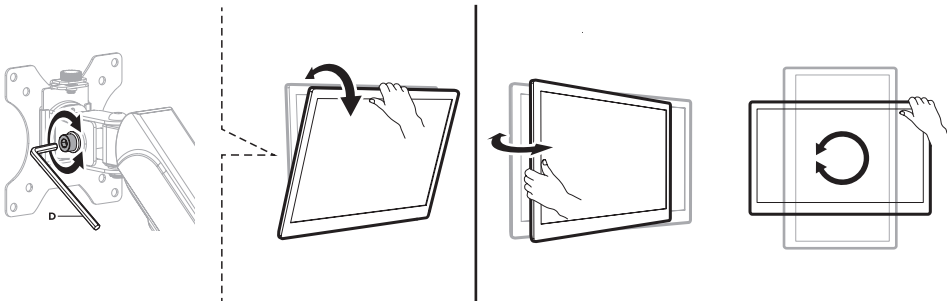
### STEP 5

Remove the bottom cover from the arm **(A)** by sliding it forward and off. Organize cables and re-attach cover.



### STEP 6

Adjust tilt support using the Allen wrench **(D)**.





Love your new VIVO setup and want to share?  
Tag us in your photo! **@vivo\_us**

LAST UPDATED: 02/18/2021



Open **Monday - Friday 7:00am - 7:00pm** CST,

our dedicated support team can offer immediate assistance with rapid response times. If any parts are received damaged or defective, please contact us. We are happy to replace parts to ensure you have a fully functioning product.



help@vivo-us.com

**AVG. RESPONSE TIME** (*within office hrs*): **1HR 8M**

- 23% within < 15m
- 38% within < 30m
- 61% within < 1hr
- 83% within < 2hr
- 92% within < 3hr



www.vivo-us.com  
*Chat live with an agent!*

**AVG. RESOLUTION TIME** (*within office hrs*): **< 15 M**



309-278-5303

**AVG. RESOLUTION TIME** (*within office hrs*): **5M 4S**

FOR MORE VIVO PRODUCTS, CHECK OUT OUR WEBSITE AT: [www.vivo-us.com](http://www.vivo-us.com)