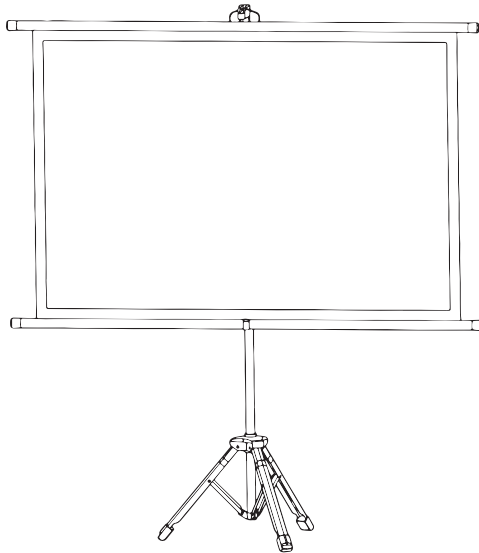




Portable Tripod Projector Screen 4:3 Instruction Manual



SKU: PS-T-050B



Scan the QR code with your mobile device or follow the link for helpful videos and specifications related to this product.

<https://vivo-us.com/products/ps-t-050b>

GET IN TOUCH | Monday-Friday from 7:00am-7:00pm CST



help@vivo-us.com



www.vivo-us.com
Chat live with an agent!



309-278-5303

WARNING!

If you do not understand these directions, or if you have any doubts about the safety of the installation, please call a qualified technician. Check carefully to make sure there are no missing or defective parts. Improper installation may cause damage or serious injury. Do not use this product for any purpose that is not explicitly specified in this manual. Do not exceed weight capacity. We cannot be liable for damage or injury caused by improper mounting, incorrect assembly or inappropriate use.

WARNING: CHOKING HAZARD

SMALL PARTS - NOT FOR CHILDREN UNDER 3 YEARS. ADULT SUPERVISION IS REQUIRED.

WARNING: FOLLOW INSTRUCTIONS TO PREVENT PRODUCT DAMAGE AND/OR PERSONAL INJURY:

- DO **NOT** FOLD SCREEN
- DO **NOT** USE FINGERS OR HARD OBJECTS TO TOUCH SCREEN SURFACE
- DO **NOT** SPLASH LIQUIDS OR CHEMICALS ON SCREEN SURFACE
- KEEP SCREEN **AWAY** FROM HOT OBJECTS OR FIRE

TIPOVER WARNING

SERIOUS OR FATAL CRUSHING INJURIES CAN OCCUR FROM TIPOVER. TO HELP PREVENT TIPOVER:

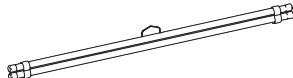
- NEVER ALLOW CHILDREN TO CLIMB, STAND, HANG, OR PLAY ON ANY PART OF TRIPOD
- USE TIPOVER RESTRAINT OR ANCHOR TRIPOD TO WALL

USE OF TIPOVER RESTRAINTS MAY ONLY REDUCE, BUT NOT ELIMINATE RISK OF TIPOVER.

PACKAGE CONTENTS



A (x1)
Tripod



B (x1)
Screen

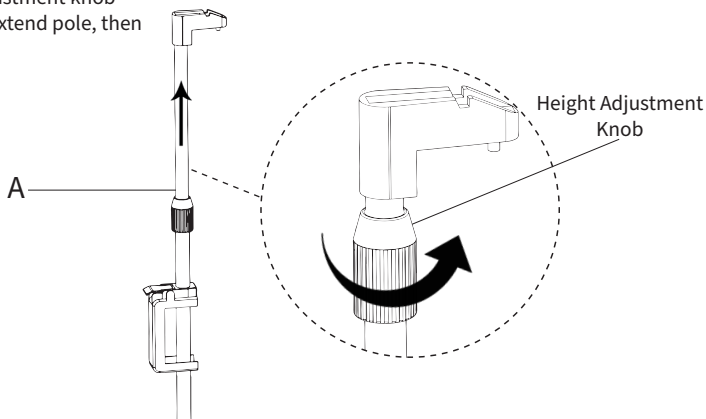


C (x1)
Screen Clip

ASSEMBLY STEPS

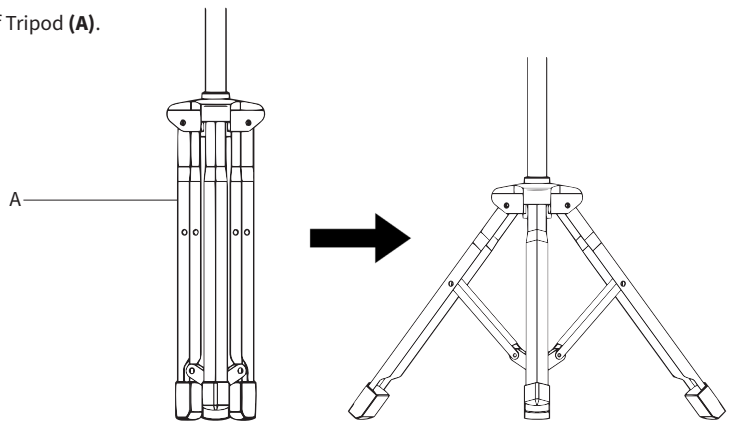
STEP 1

Loosen blue height adjustment knob located on Tripod (A). Extend pole, then tighten knob.



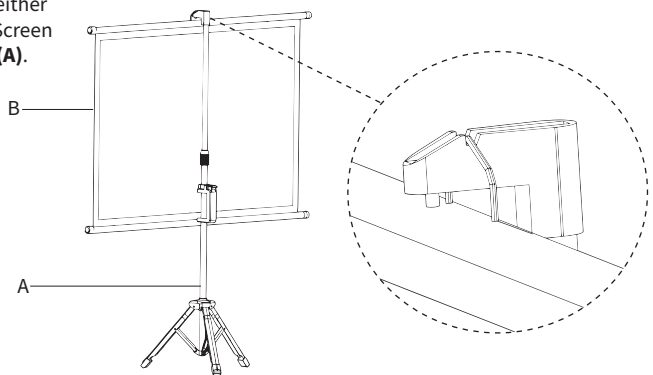
STEP 2

Extend the feet of Tripod (A).



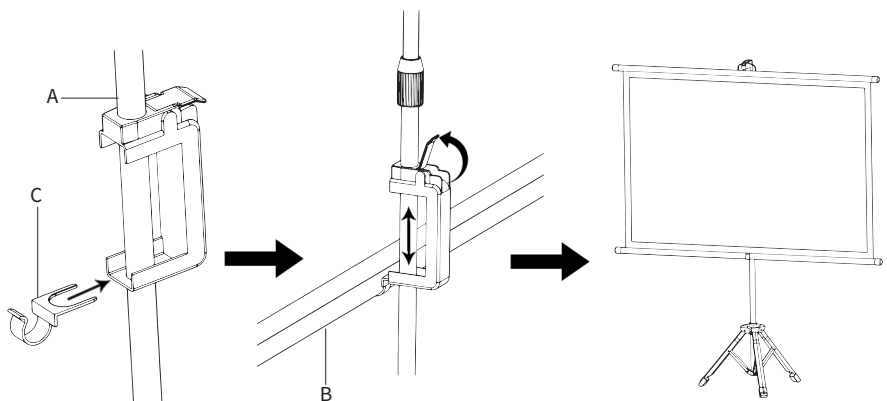
STEP 3

Separate velcro straps on either side of Screen (B). Unroll Screen (B) and hang from Tripod (A).



STEP 4

Insert Screen Clip (C) into the handle of Tripod (A). Lift the blue lever on the back of the handle on Tripod (A) and raise or lower the handle to allow the bottom rod of Screen (B) to clip into Screen Clip (C). Once adjusted, flip the lever back down to secure Screen (B) in place.





Open **Monday - Friday 7:00am - 7:00pm** CST,
our dedicated support team can offer immediate assistance with rapid response times. If any parts are received damaged or defective, please contact us. We are happy to replace parts to ensure you have a fully functioning product.



309-278-5303

AVG. RESOLUTION TIME (*within office hrs*): **5M 4S**



www.vivo-us.com
Chat live with an agent!

AVG. RESOLUTION TIME (*within office hrs*): **< 15 M**



help@vivo-us.com

AVG. RESPONSE TIME (*within office hrs*): **1HR 8M**

- 23% within < 15m
- 38% within < 30m
- 61% within < 1hr
- 83% within < 2hr
- 92% within < 3hr