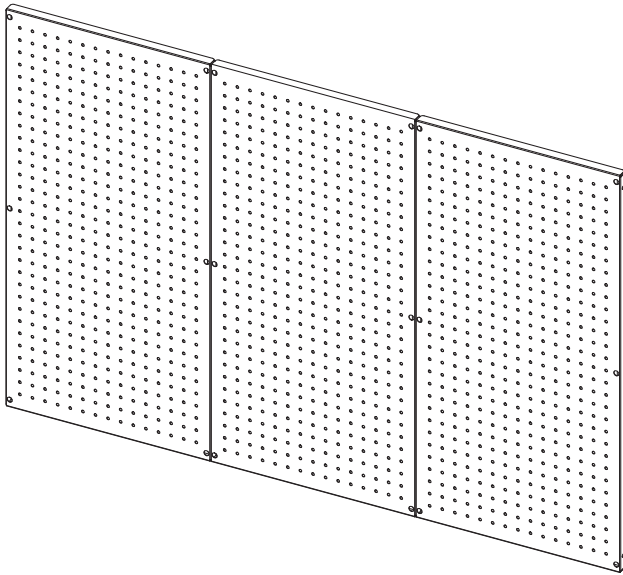




Wall Mounted Metal Pegboard Instruction Manual



SKU: PP-WM48B



Scan the QR code with your mobile device or follow the link for helpful videos and specifications related to this product.

<https://vivo-us.com/products/pp-wm48b>

GET IN TOUCH | Monday-Friday from 7:00am-7:00pm CST



help@vivo-us.com



www.vivo-us.com
Chat live with an agent!



309-278-5303

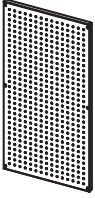
 **WARNING!**

If you do not understand these directions, or if you have any doubts about the safety of the installation, please contact our product support team at 309-278-5303 or help@vivo-us.com for further assistance. Check carefully to make sure there are no missing or defective parts. Improper installation may cause damage or serious injury. Do not use this product for any purpose that is not explicitly specified in this manual. Do not exceed weight capacity. We cannot be liable for damage or injury caused by improper mounting, incorrect assembly or inappropriate use.

 **WARNING: CHOKING HAZARD**

SMALL PARTS - NOT FOR CHILDREN UNDER 3 YEARS. ADULT SUPERVISION IS REQUIRED.

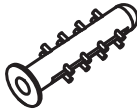
PACKAGE CONTENTS



A (x3)
Panel



W-A (x18)
ST4x30mm Screw



W-B (x18)
Concrete Anchors

TOOLS NEEDED



**Power
Drill**

DO NOT EXCEED WEIGHT CAPACITY.

Failure to do so may result in serious injury.



WOOD WALL INSTALLATION

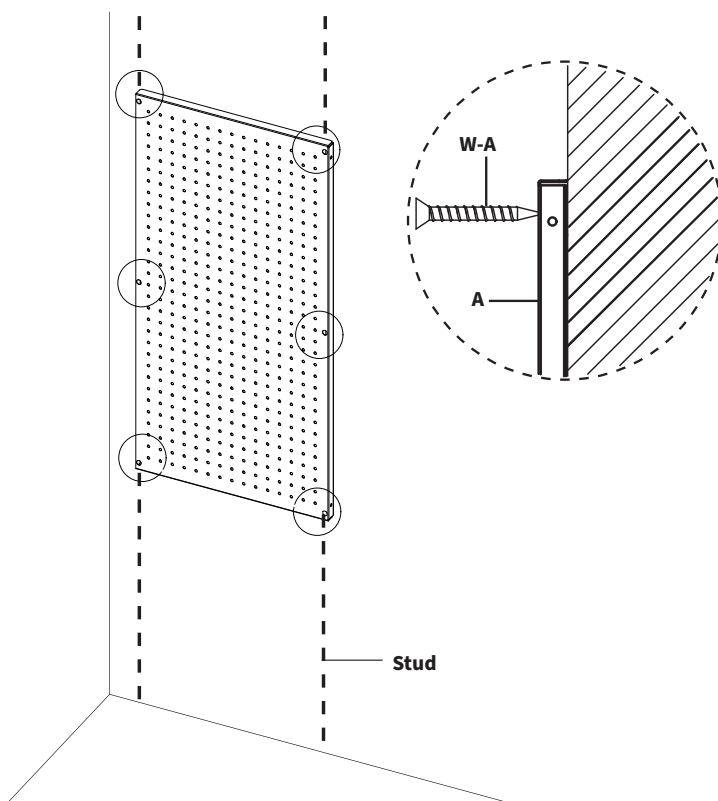
STEP 1 (Wood Wall)

Wood Wall:

Place a Panel (A) against the wall and and mark the drilling locations with a pencil.

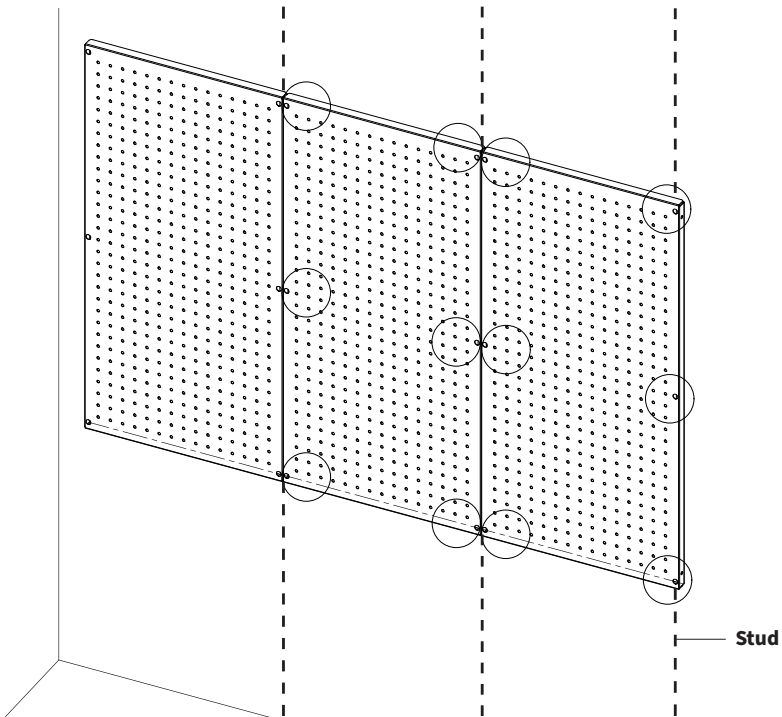
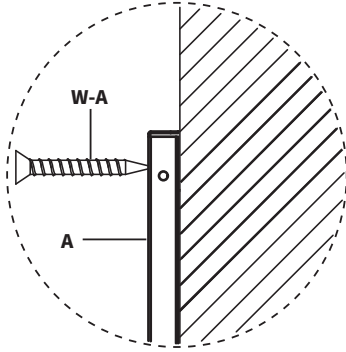
For a wood stud wall, make sure that the holes line up with the studs. Use of a level and a stud finder is recommended. Drill $1\frac{3}{16}$ " (30mm) deep holes using a $\frac{7}{64}$ " (3mm) drill bit, then install the Panel (A) using ST4x30mm Screws (W-A).

NOTE: If mounting to wood studs, make sure that the edge of the panel is centered with the stud. If not, it will cause the misalignment of future panels.



STEP 2 (WOOD WALL)

Line up the other two Panels (A) with the first one and mark the screw holes. Drill $1\frac{3}{16}$ " (30mm) deep holes using a $\frac{7}{64}$ " (3mm) drill bit, then install the Panel (A) using ST4x30mm Screws (W-A).

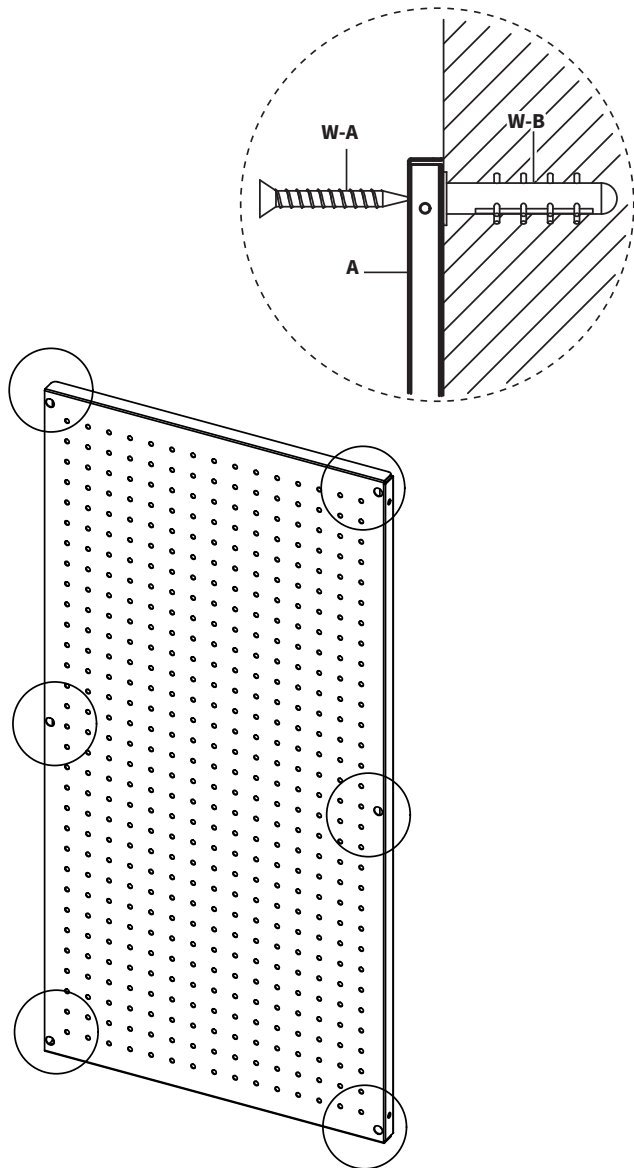


CONCRETE WALL INSTALLATION

STEP 1 (Concrete Wall)

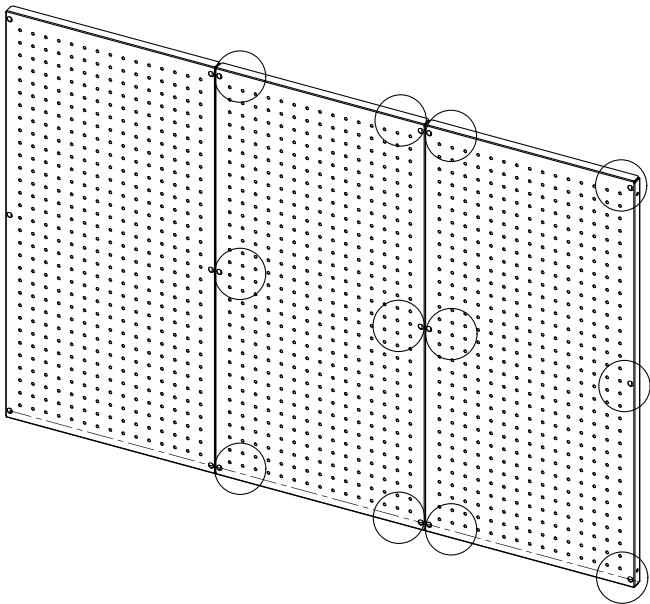
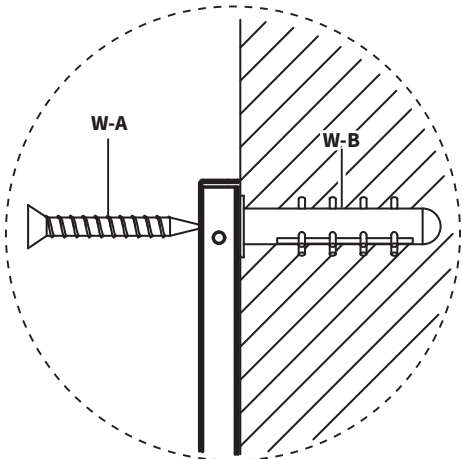
Place a Panel **(A)** against the wall and mark the drilling locations with a pencil. Use of a level is recommended.

Drill 1- $\frac{3}{8}$ " (35mm) deep holes using a $\frac{1}{8}$ " (6mm) drill bit, then insert the Concrete Anchors **(W-B)** into the holes and install the Panel **(A)** using ST4x30mm Screws **(W-A)**.



STEP 2 (Concrete Wall)

Line up the other two Panels **(A)** with the first one and mark the screw holes. Drill 1- $\frac{3}{8}$ " (35mm) deep holes using a $\frac{1}{8}$ " (6mm) drill bit, then insert the Concrete Anchors **(W-B)** into the holes and install the Panels **(A)** using ST4x30mm Screws **(W-A)**.



[THIS PAGE INTENTIONALLY LEFT BLANK]



Open **Monday - Friday 7:00am - 7:00pm** CST,
our dedicated support team can offer immediate assistance with rapid response times. If any parts are received damaged or defective, please contact us. We are happy to replace parts to ensure you have a fully functioning product.



309-278-5303

AVG. RESOLUTION TIME (*within office hrs*): **5M 4S**



www.vivo-us.com
Chat live with an agent!

AVG. RESOLUTION TIME (*within office hrs*): **< 15 M**



help@vivo-us.com

AVG. RESPONSE TIME (*within office hrs*): **1HR 8M**

- 23% within < 15m
- 38% within < 30m
- 61% within < 1hr
- 83% within < 2hr
- 92% within < 3hr