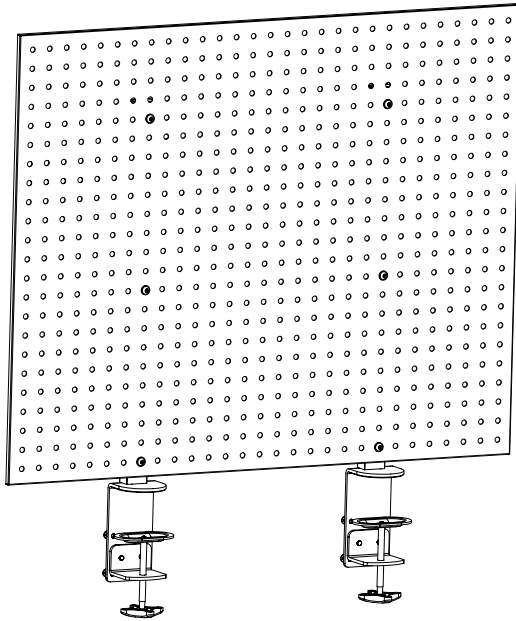


Black Clamp-on Pegboard Panel Instruction Manual



SKU: PP-DK30B-1



Scan the QR code with your mobile device or follow the link for helpful videos and specifications related to this product.

<https://vivo-us.com/products/pp-dk12b>

GET IN TOUCH | Monday-Friday from 7:00am-7:00pm CST



help@vivo-us.com



www.vivo-us.com
Chat live with an agent!



309-278-5303

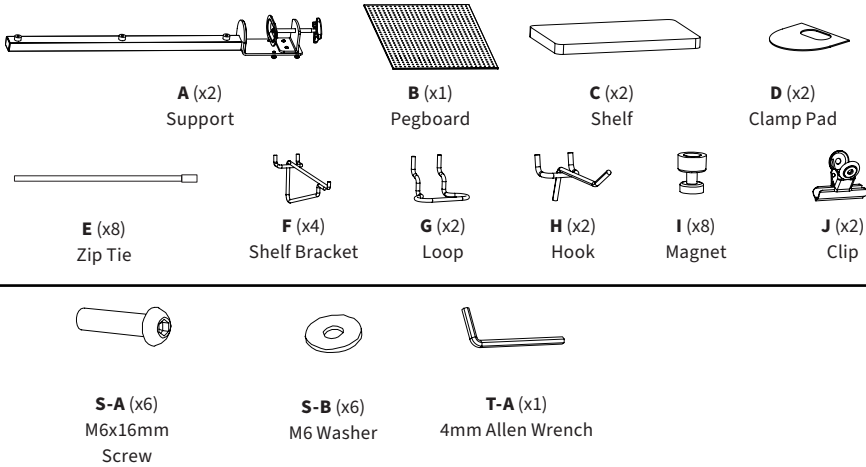
WARNING!

If you do not understand these directions, or if you have any doubts about the safety of the installation, please call a qualified technician. Check carefully to make sure there are no missing or defective parts. Improper installation may cause damage or serious injury. Do not use this product for any purpose that is not explicitly specified in this manual and do not exceed weight capacity. We cannot be liable for damage or injury caused by improper mounting, incorrect assembly, or inappropriate use.

WARNING: CHOKING HAZARD

SMALL PARTS - NOT FOR CHILDREN UNDER 3 YEARS. ADULT SUPERVISION IS REQUIRED.

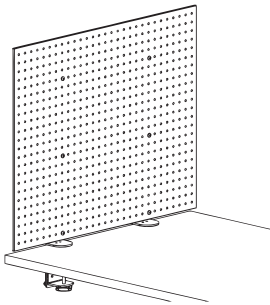
PACKAGE CONTENTS



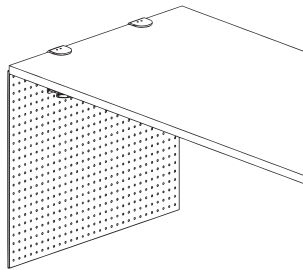
TOOLS NEEDED



ASSEMBLY OPTIONS:



Option A:
Above Desk Mounting
Page 3

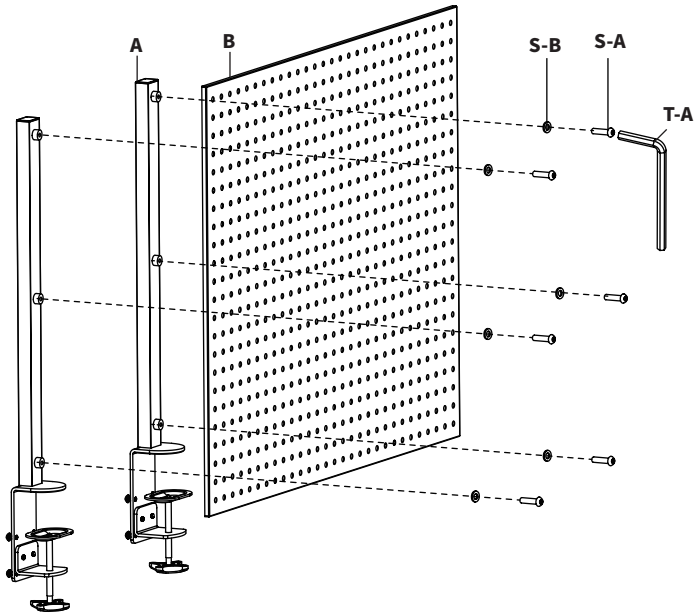


Option B:
Below Desk
Cable Management
Page 6

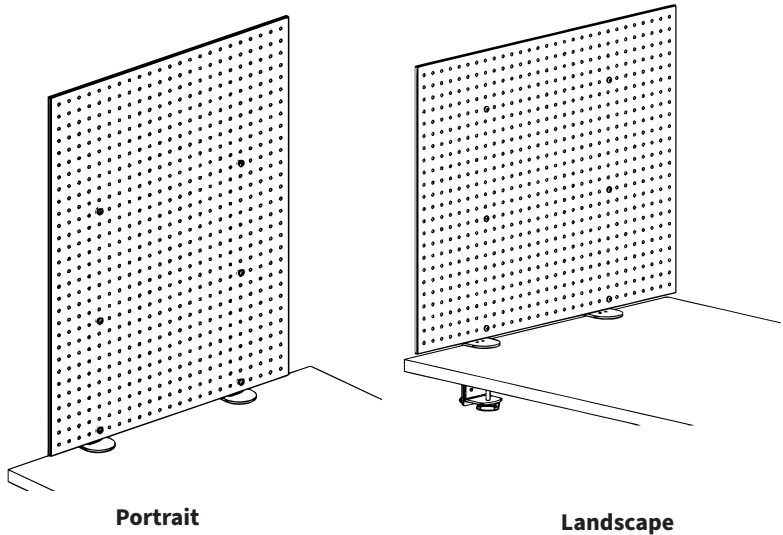
ASSEMBLY OPTION A: Above Desk Mounting

STEP 1

Connect Pegboard (B) to Supports (A) by installing M6x16mm Screws (S-A) and M6 Washer (S-B) through pegboard into threaded holes of Supports (A) using 4mm Allen Wrench (T-A). This can be done in a portrait or landscape orientation. See examples below.



Orientation Options

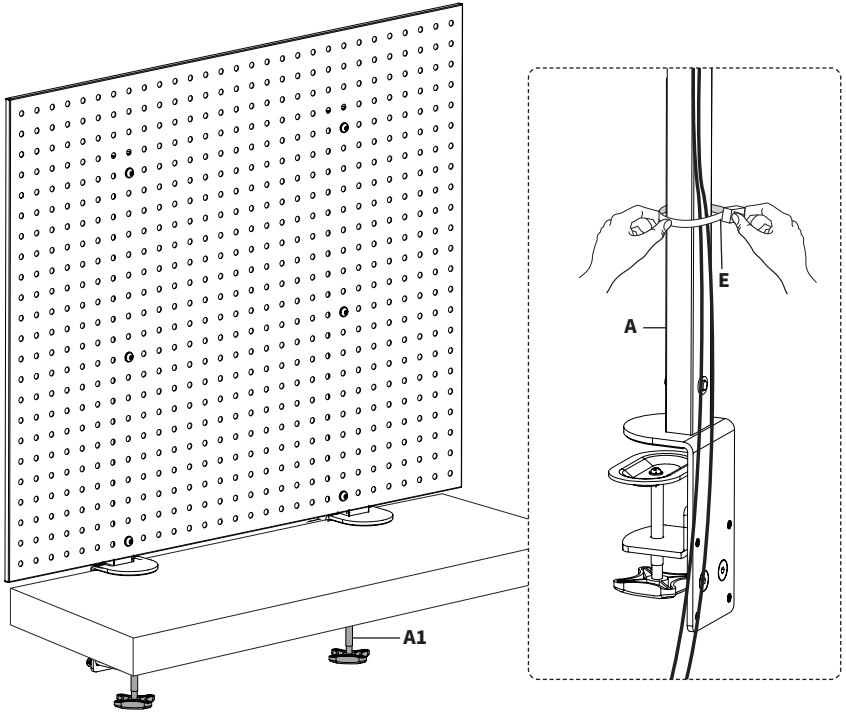
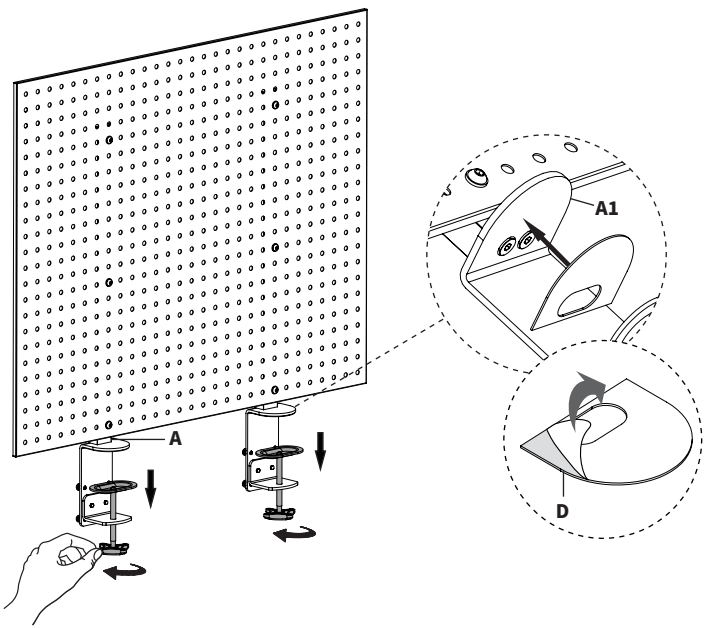


Portrait

Landscape

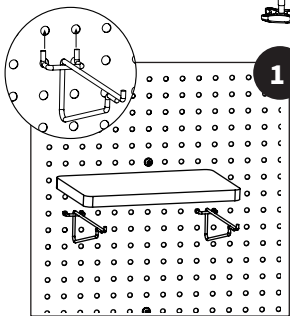
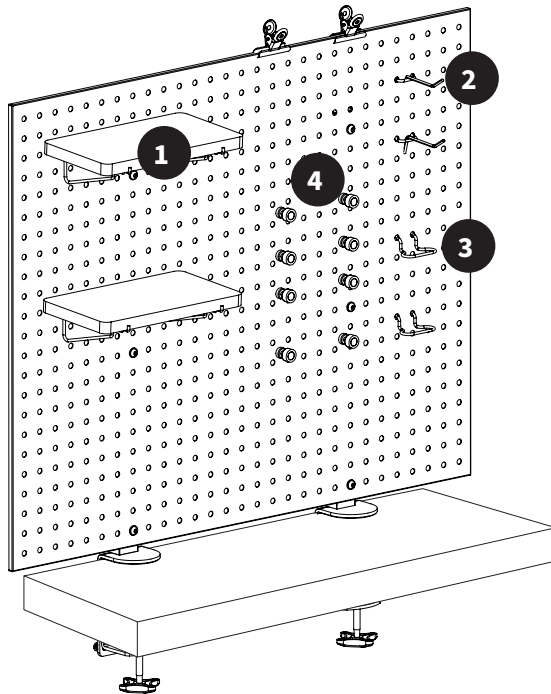
STEP 2

Install Clamp Pads (D) on the Clamps (A1) on Supports (A). Tighten Clamps (A1) to attach to desired surface. Use Zip Ties (E) to secure cables along Supports (A).



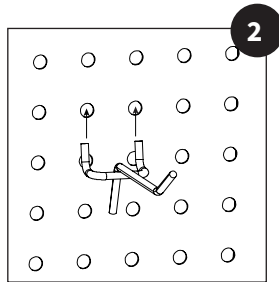
STEP 3

Install accessories (**C, F thru J**) onto assembled pegboard.



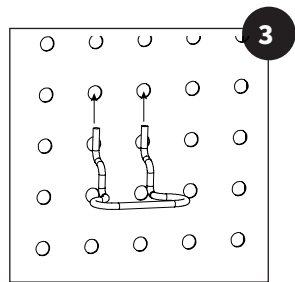
Shelf (C,F)

Place Shelf Brackets (**F**) onto desired location on pegboard. Place Shelf (**C**) onto Shelf Brackets (**F**).



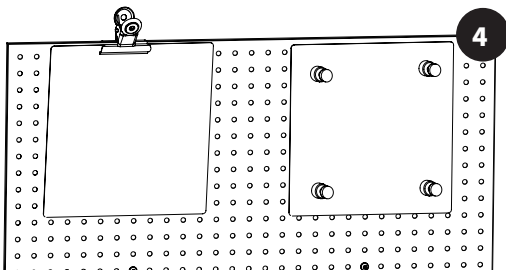
Hooks (H)

Place Hooks (**H**) into desired pegboard holes.



Loops (G)

Place Loops (**G**) into desired pegboard holes.



Magnets

Clips (**J**) and Magnets (**I**) can be used as desired on pegboard.

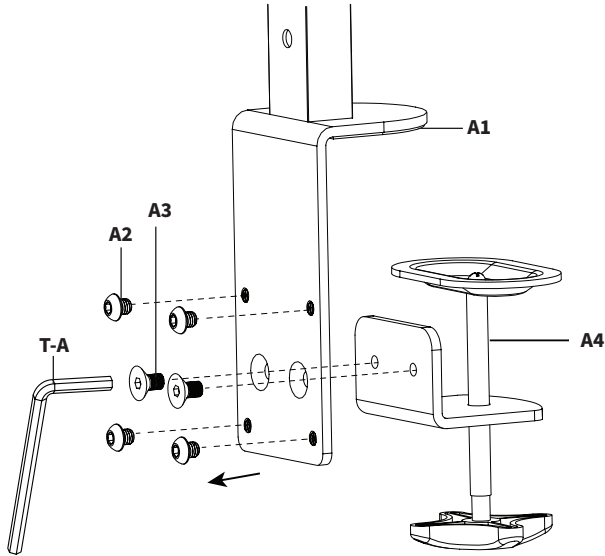
ASSEMBLY OPTION B: Below Desk Cable Management

STEP 1

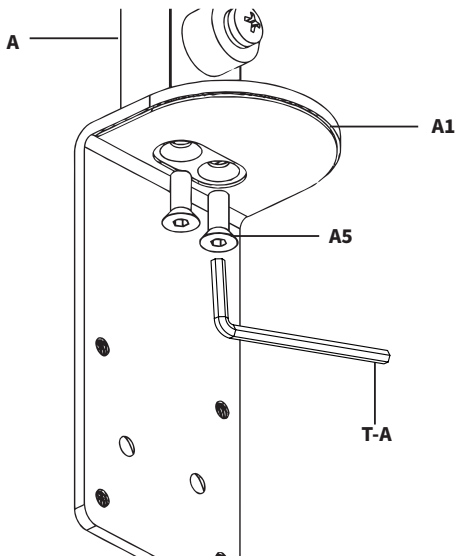
To mount belowdesktop, the Clamp on Supports (A) will first need to be removed. The Clamp will be re-installed to the pegboard and used to secure pegboard below desktop.

DISASSEMBLE SUPPORTS (A):

Remove M6x6mm Screws (A2) and M6x8mm Screws (A3) from Clamp (A1) to remove Clamp Bolt (A4) using 4mm Allen Wrench (T-A).

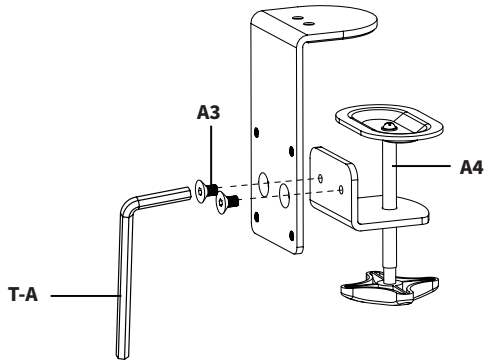


Next, remove M6x16mm Screws (A5) from underside of Supports (A) using 4mm Allen Wrench (T-A) to separate Clamp (A1).

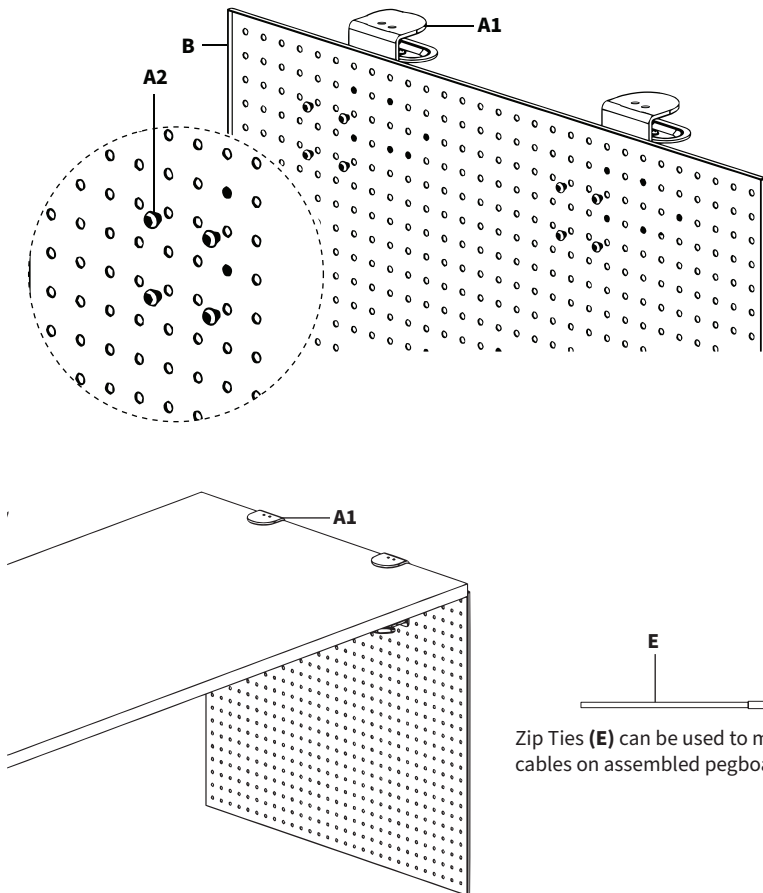


STEP 2

Connect Clamp Bolt (**A4**) to Clamp (**A1**) using previously removed M6x8mm Screws (**A3**) and 4mm Allen Wrench (**T-A**).



Connect Pegboard (**B**) to front of Clamps (**A1**) using previously removed M6x6mm Screws (**A2**). Secure Clamp (**A1**) to desktop surface.



Zip Ties (**E**) can be used to manage cables on assembled pegboard.



Love your new VIVO setup and want to share?
Tag us in your photo! **@vivo_us**

LAST UPDATED: 07/06/2023
REV1



Open **Monday - Friday 7:00am - 7:00pm** CST,
our dedicated support team can offer immediate assistance with rapid response times. If any parts are received damaged or defective, please contact us. We are happy to replace parts to ensure you have a fully functioning product.



309-278-5303

AVG. RESOLUTION TIME (*within office hrs*): **5M 4S**



www.vivo-us.com
Chat live with an agent!

AVG. RESOLUTION TIME (*within office hrs*): **< 15 M**



help@vivo-us.com

AVG. RESPONSE TIME (*within office hrs*): **1HR 8M**

- 23% within < 15m
- 38% within < 30m
- 61% within < 1hr
- 83% within < 2hr
- 92% within < 3hr

FOR MORE VIVO PRODUCTS, CHECK OUT OUR WEBSITE AT: www.vivo-us.com