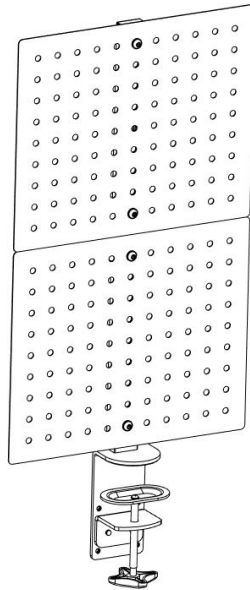


---

## Black Clamp-on Desk Back Panel & Accessory Holder Instruction Manual



**SKU: PP-DK12B**



Scan the QR code with your mobile device or follow the link for helpful videos and specifications related to this product.

<https://vivo-us.com/products/pp-dk12b>

---

GET IN TOUCH | Monday-Friday from 7:00am-7:00pm CST



help@vivo-us.com



www.vivo-us.com  
*Chat live with an agent!*



309-278-5303

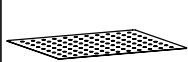
# **WARNING!**

If you do not understand these directions, or if you have any doubts about the safety of the installation, please call a qualified technician. Check carefully to make sure there are no missing or defective parts. Improper installation may cause damage or serious injury. Do not use this product for any purpose that is not explicitly specified in this manual and do not exceed weight capacity. We cannot be liable for damage or injury caused by improper mounting, incorrect assembly, or inappropriate use.

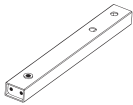
## **WARNING: CHOKING HAZARD**

SMALL PARTS - NOT FOR CHILDREN UNDER 3 YEARS. ADULT SUPERVISION IS REQUIRED.

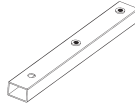
### PACKAGE CONTENTS



**A (x2)**  
Peg Board



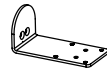
**B (x1)**  
Lower Pole



**C (x1)**  
Upper Pole



**D (x1)**  
Connecting  
Bracket



**E (x1)**  
Clamp Brace



**F (x1)**  
Clamp



**G (x1)**  
Shelf



**H (x1)**  
Pole Cap



**I (x1)**  
Pad



**J (x2)**  
Shelf  
Hook



**K (x1)**  
Straight Hook



**L (x1)**  
Square Edge  
Hook



**M (x4)**  
Magnet



**N (x1)**  
Clip



**S-A (x2)**  
M6x16mm  
Screw



**S-B (x2)**  
M6x8mm  
Screw



**S-C (x5)**  
M6x25mm  
Screw



**S-D (x5)**  
M6 Washer



**S-E (x4)**  
M6x5mm  
Screw



**T-A (x1)**  
4mm Allen Wrench

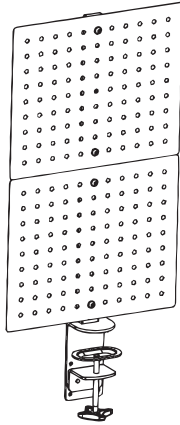


**T-B (x4)**  
Ziptie

### TOOLS NEEDED

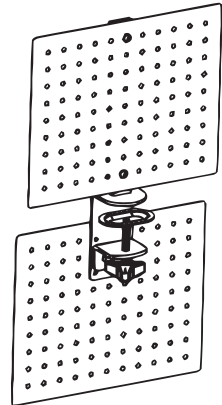


## ASSEMBLY OPTIONS:



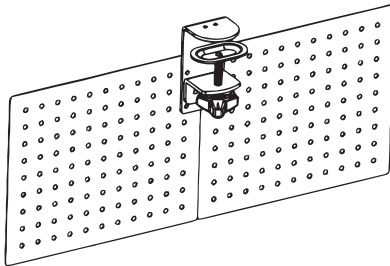
### Above Mounting

*Single Panel Assembly (pg 3-4)  
Double Panel Assembly (pg 3, 5-6)*



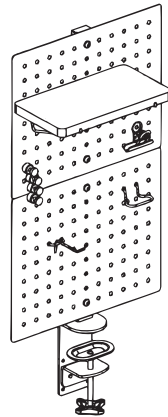
### Above & Under Mounting

*Double Panel Assembly (pg 7)*



### Under Desk Cable Management

*Single Panel Assembly (pg 8-9)  
Double Panel Assembly (pg 8-9)*



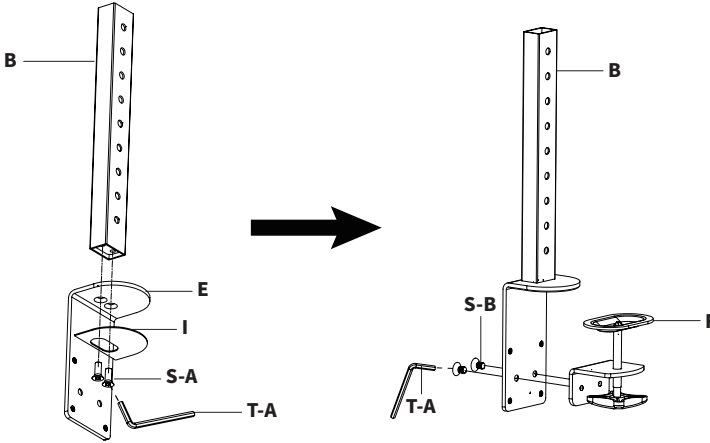
### Accessory Placement

*All Assembly Options (pg 8-9)*

# ASSEMBLY OPTION A: Above Mounting Only

## STEP 1

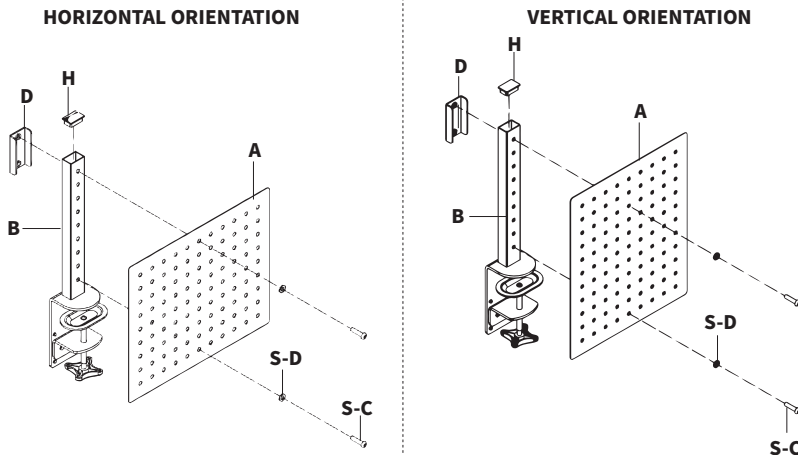
Connect Lower Pole (**B**) and Pad (**I**) to Clamp Brace (**E**) using M6x16mm Screws (**S-A**) and 4mm Allen Wrench (**T-A**). Secure Clamp (**F**) to Clamp Brace (**E**) using M6x8mm Screws (**S-B**) and 4mm Allen Wrench (**T-A**). **NOTE:** Make sure the pegboard holes are facing forward as shown below.



## STEP 2a: Single Panel Assembly

Choose horizontal or vertical installation orientation and connect Peg Board (**A**) and Connecting Bracket (**D**) to front of Lower Pole (**B**) using M6x25mm Screws (**S-C**), M6 Washers (**S-D**) and 4mm Allen Wrench (**T-A**). Place Pole Cap (**H**) on top of Lower Pole (**B**).

**NOTE:** Use the top hole on the Connecting Bracket (**D**). The bottom hole will not be used.

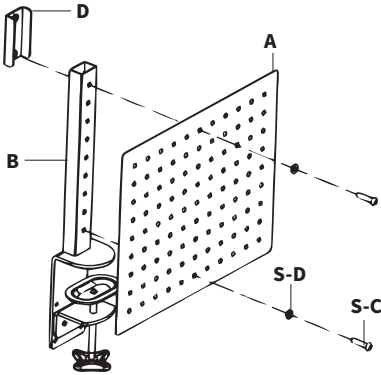


## STEP 2b: Double Panel Assembly

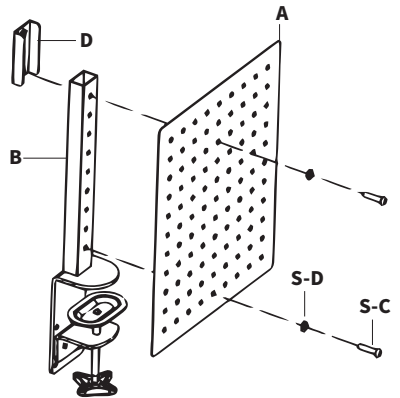
Choose horizontal or vertical installation orientation and connect Peg Board (A) and Connecting Bracket (D) to Lower Pole (B) using M6x25mm Screws (S-C), M6 Washers (S-D), and 4mm Allen Wrench (T-A).

**Note:** Use bottom hole of Connecting Bracket (D).

### HORIZONTAL ORIENTATION

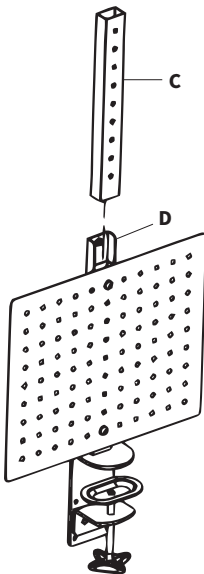


### VERTICAL ORIENTATION



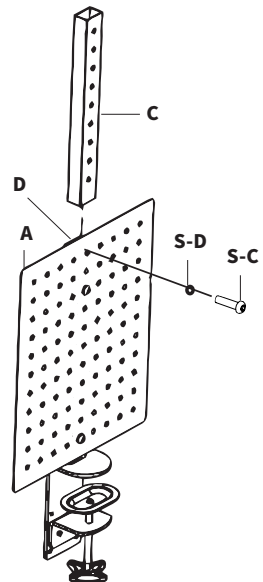
### HORIZONTAL ORIENTATION

Slide Upper Pole (C) into Connecting Bracket (D).



### VERTICAL ORIENTATION

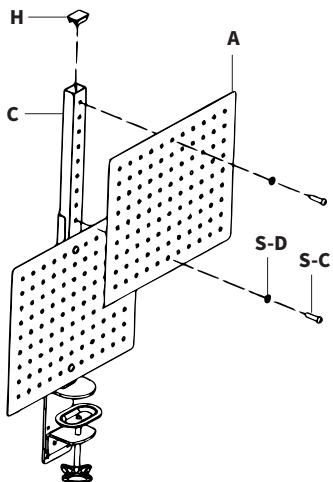
Connect Upper Pole (C) to Peg Board (A) and Connecting Bracket (D) using M6x25mm Screws (S-C), M6 Washers (S-D) and 4mm Allen Wrench (T-A).



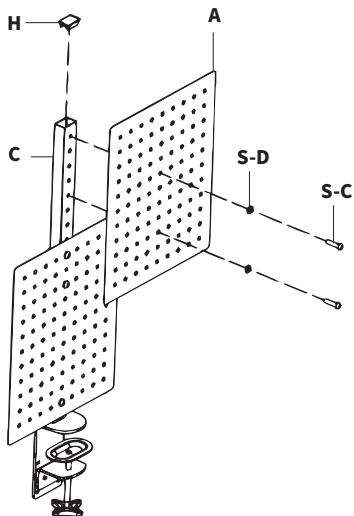
## STEP 2b: Double Panel Assembly (Continued)

Connect second Peg Board (A) to Upper Pole (C) using M6x25mm Screws (S-C), M6 Washers (S-D), and 4mm Allen Wrench (T-A). Attach Pole Cap (H) to top of Upper Pole (C).

### HORIZONTAL ORIENTATION



### VERTICAL ORIENTATION

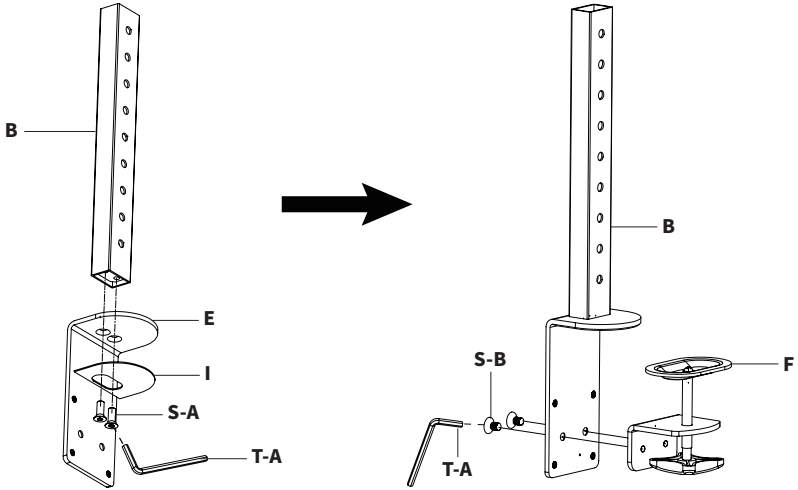


## ASSEMBLY OPTION B: Above & Below Mounting

### STEP 1

Connect Lower Pole (B) and Pad (I) to Clamp Brace (E) using M6x16mm Screws (S-A) and 4mm Allen Wrench (T-A). Secure Clamp (F) to Clamp Brace (E) using M6x8mm Screws (S-B) and 4mm Allen Wrench (T-A).

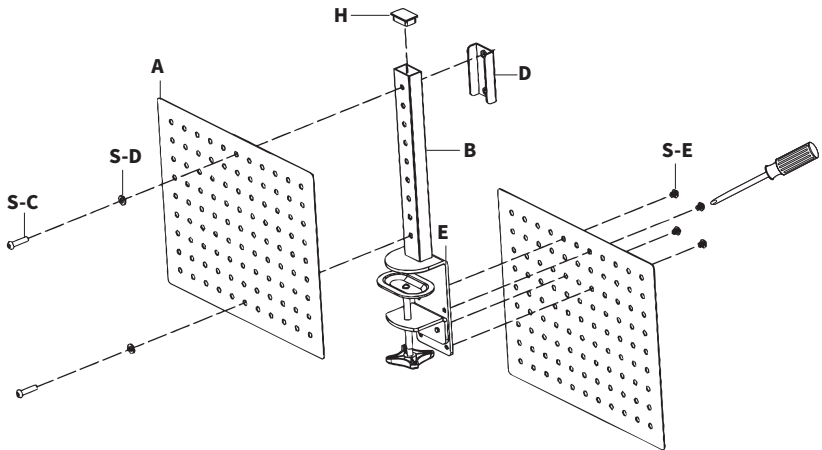
**NOTE:** Make sure the pegboard holes are facing forward as shown below.



### STEP 2

Connect Peg Board (A) and Connecting Bracket (D) to Lower Pole (B) using M6x25mm Screws (S-C), M6 Washers (S-D) and 4mm Allen Wrench (T-A). Attach other Peg Board (A) to back of Clamp Brace (E) using M6x5mm Screws (S-E) and a Phillips screwdriver. Place Pole Cap (H) on top of Lower Pole (B).

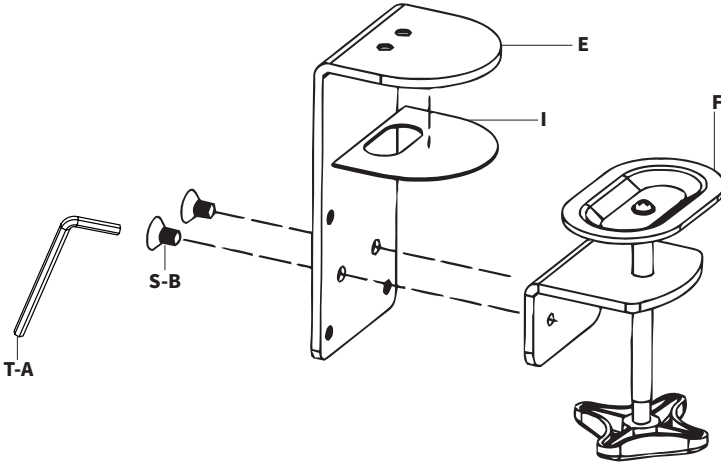
**NOTE:** Use the top hole on the Connecting Bracket (D). The bottom hole will not be used



# ASSEMBLY OPTION C: Under Desk Cable Management

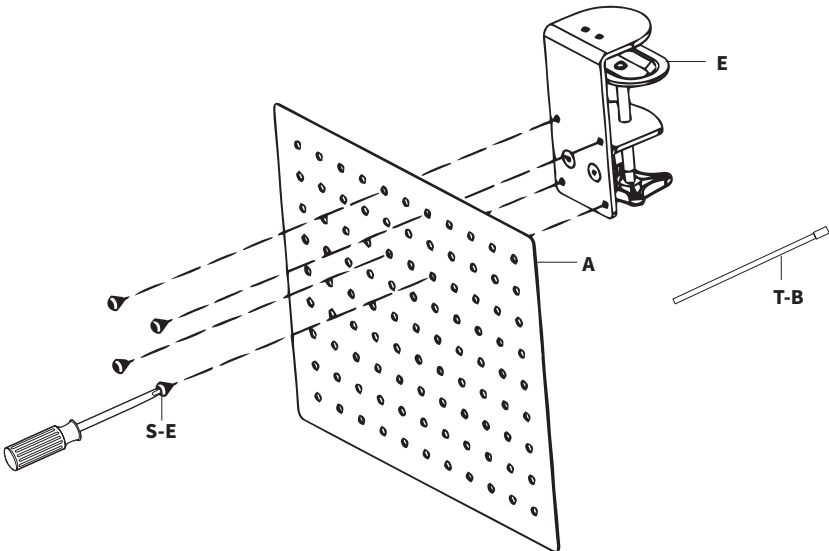
## STEP 1

Secure Clamp (F) and Pad (I) to Clamp Brace (E) using M6x8mm Screws (S-B) and 4mm Allen Wrench (T-A).



## STEP 2a: Single Panel

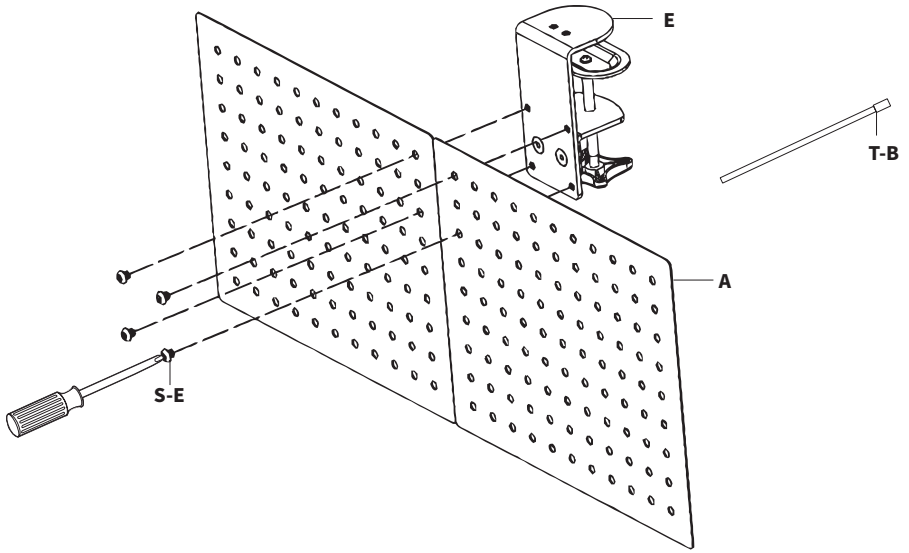
Connect Peg Board (A) to front of Clamp Brace (E) using M6x5mm Screws (S-E) and a Phillips screwdriver. Use provided Zip Ties (T-B) for managing under desk cables.



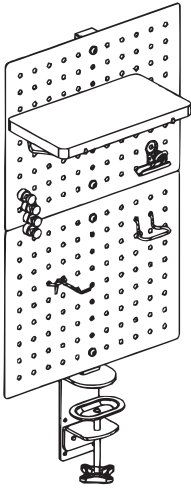


## STEP 2b: Double Panel

Connect Peg Boards (**A**) to front of Clamp Brace (**E**) using M6x5mm Screws (**S-E**) and a Phillips screwdriver. Use provided Zip Ties (**T-B**) for managing under desk cables.



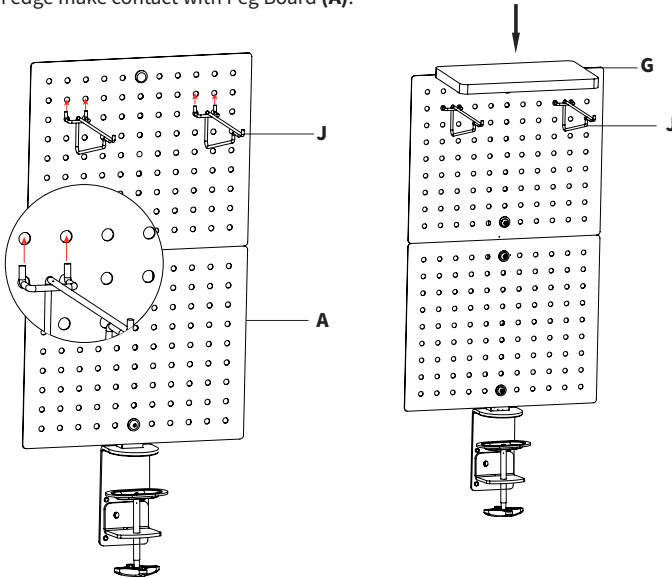
# ACCESSORY PLACEMENT



*Note: Accessories can be placed and used as desired. The following steps shows one way to mount/install accessories and uses the double panel horizontal assembly as an example.*

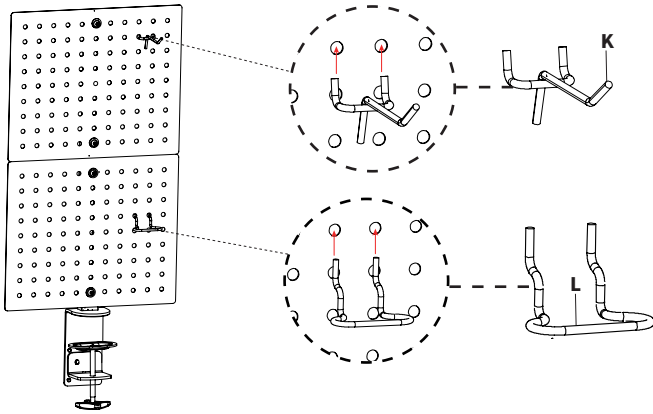
## Shelf Mounting

Place Shelf Hooks (**J**) at desired height on Peg Board (**A**) and then place Shelf (**G**) on Hooks so that magnets on edge make contact with Peg Board (**A**).



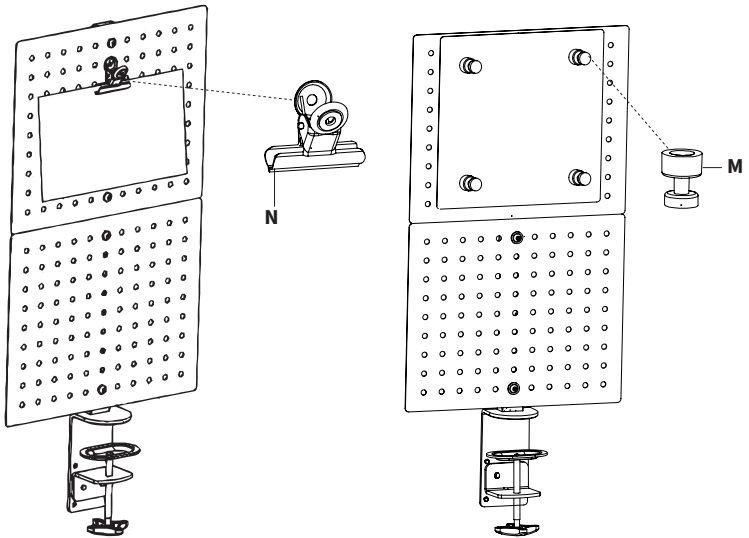
## Straight & Square Hooks

Place Straight Hook (**K**) and Square Hook (**L**) as desired on Peg Board (**A**).



## Clip & Magnets

Place Magnets (**M**), and Clip (**N**) as desired on assembly.





Love your new VIVO setup and want to share?  
Tag us in your photo! **@vivo\_us**

LAST UPDATED: 07/25/2022  
REV1



Open **Monday - Friday 7:00am - 7:00pm** CST,  
our dedicated support team can offer immediate assistance with rapid response times. If any parts are received damaged or defective, please contact us. We are happy to replace parts to ensure you have a fully functioning product.



309-278-5303

**AVG. RESOLUTION TIME** (*within office hrs*): **5M 4S**



[www.vivo-us.com](http://www.vivo-us.com)  
*Chat live with an agent!*

**AVG. RESOLUTION TIME** (*within office hrs*): **< 15 M**



[help@vivo-us.com](mailto:help@vivo-us.com)

**AVG. RESPONSE TIME** (*within office hrs*): **1HR 8M**

- 23% within < 15m
- 38% within < 30m
- 61% within < 1hr
- 83% within < 2hr
- 92% within < 3hr

FOR MORE VIVO PRODUCTS, CHECK OUT OUR WEBSITE AT: [www.vivo-us.com](http://www.vivo-us.com)