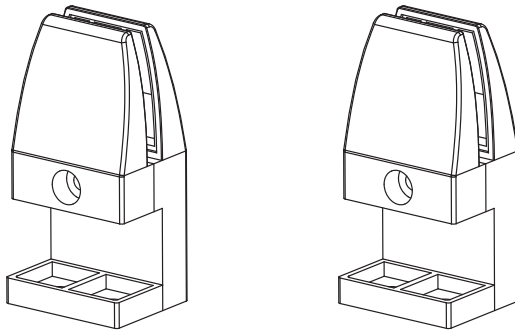




Silver Universal Privacy Panel Desk Clamps *(Pack of 2)*

Instruction Manual



SKU: PP-CP-01S



Scan the QR code with your mobile device or follow the link for helpful videos and specifications related to this product.

<https://vivo-us.com/products/pp-cp-01s>

GET IN TOUCH | Monday-Friday from 7:00am-7:00pm CST



help@vivo-us.com



www.vivo-us.com
Chat live with an agent!



309-278-5303

WARNING!

If you do not understand these directions, or if you have any doubts about the safety of the installation, please call a qualified technician. Check carefully to make sure there are no missing or defective parts. Improper installation may cause damage or serious injury. Do not use this product for any purpose that is not explicitly specified in this manual. Do not exceed weight capacity. We cannot be liable for damage or injury caused by improper mounting, incorrect assembly or inappropriate use.

WARNING: CHOKING HAZARD

SMALL PARTS - NOT FOR CHILDREN UNDER 3 YEARS. ADULT SUPERVISION IS REQUIRED.

PACKAGE CONTENTS



A (x2)
Clamp



B (x4)
Pad



C (x4)
ST3.9x25



D (x2)
M6x12



E (x2)
M6x25



F (x2)
M6x40



G (x4)
Plastic Pad



H (x1)
Allen Wrench

TOOLS NEEDED

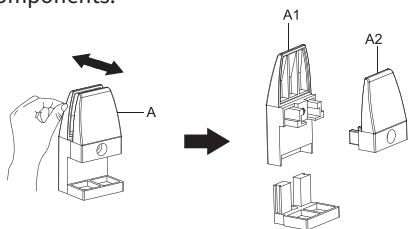


NOTE: SOME HARDWARE MAY NOT BE USED

ASSEMBLY STEPS

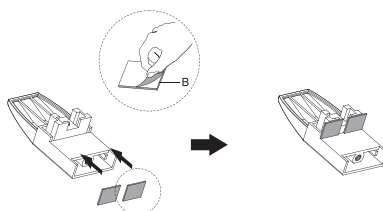
STEP 1

Separate the clamps (**A**) into separate components.



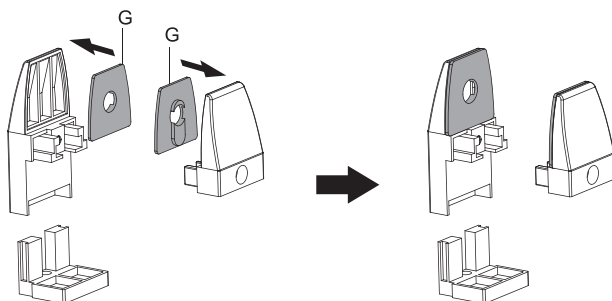
STEP 2

Apply the pads (**B**) to the underside of each clamp.



STEP 3

Place the plastic pads (**G**) on the inner face of each upper clamp component.

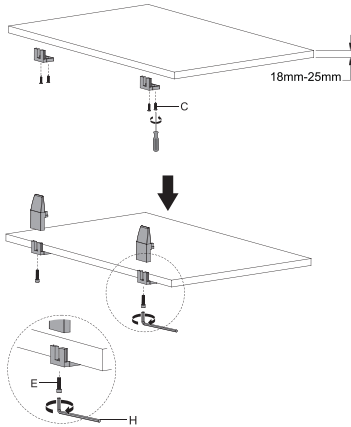


STEP 4

OPTION A: 3/4" - 1" (18mm - 25mm) Desktop



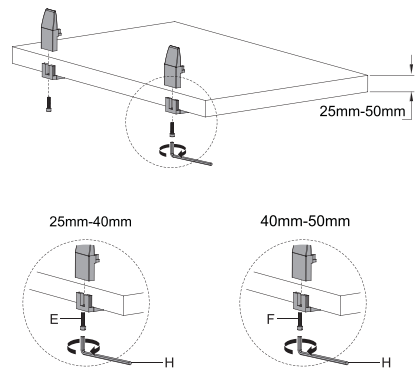
Attach the lower clamp components to the underside of the desk edge using ST3.9x25 self-tapping screws (**C**) (**NOTE:** For correct fit, the space between the clamps must be no more than 18" [455mm]). Slide the upper clamp components onto the lower clamps, and secure using the M6x25mm bolts (**E**) and Allen wrench (**H**).



OPTION B: 1" - 2" (25mm - 50mm) Desktop

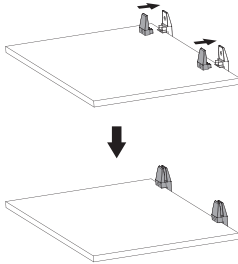


Slide the upper clamp components onto the lower clamps, and partially insert M6x25mm bolts (**E**) or M6x40mm bolts (**F**) depending on the desktop thickness. Place the clamps on the edge of the desk, and tighten using the Allen wrench (**H**). (**NOTE:** For correct fit, the space between the clamps must be no more than 18" [455mm]).



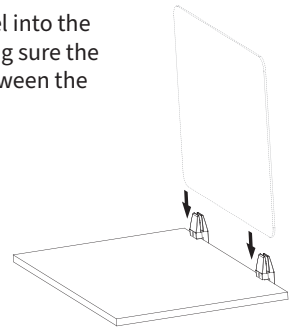
STEP 5

Slide the front clamp components onto the upper clamps.



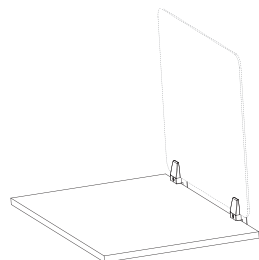
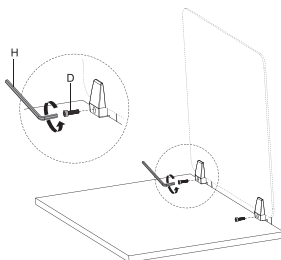
STEP 6

Place the panel into the clamps, making sure the panel is fit between the plastic pads.



STEP 7

Insert the M6x12mm bolts (**D**) into the front clamps, and tighten with the Allen wrench (**H**).






Open **Monday - Friday 7:00am - 7:00pm** CST,
our dedicated support team can offer immediate assistance with rapid response times. If any parts are received damaged or defective, please contact us. We are happy to replace parts to ensure you have a fully functioning product.


 help@vivo-us.com

AVG. RESPONSE TIME (*within office hrs*): **1HR 8M**

- 23% within < 15m
- 38% within < 30m
- 61% within < 1hr
- 83% within < 2hr
- 92% within < 3hr

 www.vivo-us.com
Chat live with an agent!

AVG. RESOLUTION TIME (*within office hrs*): **< 15 M**

 309-278-5303

AVG. RESOLUTION TIME (*within office hrs*): **5M 4S**