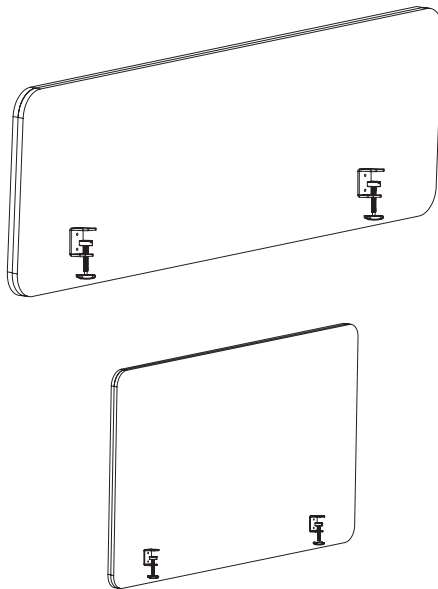


Clamp-on Desk Privacy Panels (x3) Instruction Manual



SKU: PP-3-V108G,D



Scan the QR code with your mobile device or follow the link for helpful videos and specifications related to this product.

<https://vivo-us.com/products/pp-3-v108g>

GET IN TOUCH | Monday-Friday from 7:00am-7:00pm CST



help@vivo-us.com



www.vivo-us.com
Chat live with an agent!



309-278-5303

 **WARNING!**

If you do not understand these directions, or if you have any doubts about the safety of the installation, please contact our product support team at 309-278-5303 or help@vivo-us.com for further assistance. Check carefully to make sure there are no missing or defective parts. Improper installation may cause damage or serious injury. Do not use this product for any purpose that is not explicitly specified in this manual. Do not exceed weight capacity. We cannot be liable for damage or injury caused by improper mounting, incorrect assembly or inappropriate use.

PACKAGE CONTENTS



A (x6)
Clamp



B (x12)
Spacer



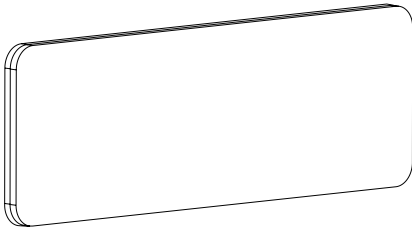
C (x12)
Washer



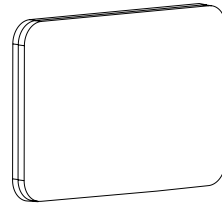
D (x12)
M6x30



E (x12)
M6x40



F (x1)
60" Panel



G (x2)
24" Panel

TOOLS NEEDED

NOTE: SOME HARDWARE INCLUDED MAY NOT BE USED



 **WARNING: CHOKING HAZARD**

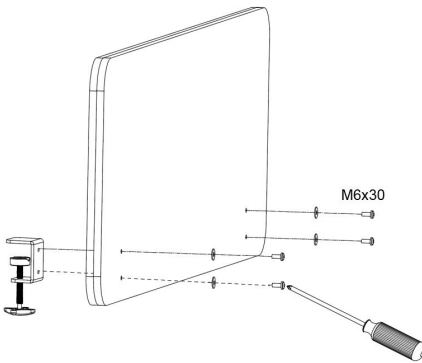
SMALL PARTS - NOT FOR CHILDREN UNDER 3 YEARS. ADULT SUPERVISION IS REQUIRED.

ASSEMBLY STEPS

STEP 1

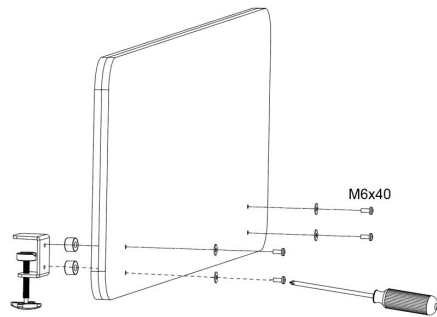
OPTION A: Flush Fit

Attach clamps (A) to 60" panel (F) using M6x30 screws (D) and washers (C). Tighten with a Phillips screwdriver. Repeat for assembly of 24" panels (G).



OPTION B: Gap-Fit for Cables and Devices

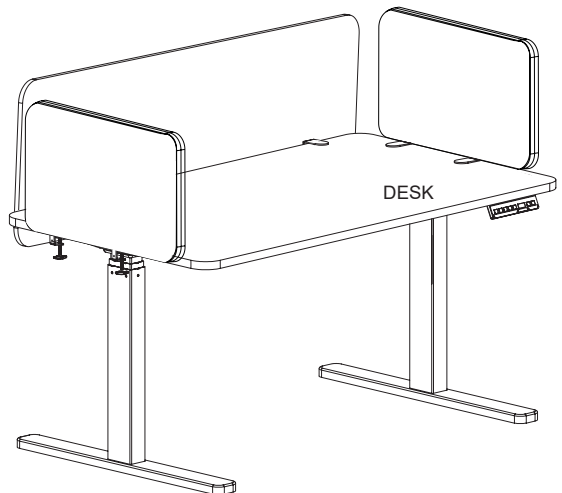
Attach clamps (A) to 60" panel (F) using M6x40 screws (E), washers (C) and spacers (B) as shown in the diagram. Tighten with a Phillips screwdriver. Repeat for assembly of 24" panels (G).



STEP 2

Place the assembled panels on the edges of the desk, and tighten the clamps to secure.

NOTE: Over-tightening the clamps will cause the panels to lean forwards.





Love your new VIVO setup and want to share?
Tag us in your photo! **@vivo_us**

LAST UPDATED: 06/30/2023
REV1



Open **Monday - Friday 7:00am - 7:00pm** CST,
our dedicated support team can offer immediate assistance with rapid response times. If any parts are received damaged or defective, please contact us. We are happy to replace parts to ensure you have a fully functioning product.



309-278-5303

AVG. RESOLUTION TIME (*within office hrs*): **5M 4S**



www.vivo-us.com
Chat live with an agent!

AVG. RESOLUTION TIME (*within office hrs*): **< 15 M**



help@vivo-us.com

AVG. RESPONSE TIME (*within office hrs*): **1HR 8M**

- 23% within < 15m
- 38% within < 30m
- 61% within < 1hr
- 83% within < 2hr
- 92% within < 3hr

FOR MORE VIVO PRODUCTS, CHECK OUT OUR WEBSITE AT: www.vivo-us.com