

Gray Mobile Freestanding Room Divider (x3)

SKU: PP-3-T072G-M

Instruction Manual

Assembly Video & Product Info
www.vivo-us.com/products/pp-3-t072g-m



! CAUTION! !

If you do not understand these directions, or if you have any doubts about the safety of the installation, please contact our product support team at 309-278-5303 or help@vivo-us.com for further assistance. Check carefully to make sure there are no missing or defective parts. Improper installation may cause damage or serious injury. Do not use this product for any purpose that is not explicitly specified in this manual. Do not exceed weight capacity. We cannot be liable for damage or injury caused by improper mounting, incorrect assembly or inappropriate use.



WARNING: CHOKING HAZARD

SMALL PARTS - NOT FOR CHILDREN UNDER 3 YEARS. ADULT SUPERVISION IS REQUIRED.



DO NOT EXCEED WEIGHT CAPACITY

FAILURE TO DO SO MAY RESULT IN SERIOUS INJURY.

We're Here for You

Open **Monday - Friday 7:00am - 7:00pm** CST, our dedicated support team can offer immediate assistance with rapid response times. If any parts are received damaged or defective, please contact us. We are happy to replace parts to ensure you have a fully functioning product.



Give us a Call:
309-278-5303

AVG. RESOLUTION TIME (*within office hrs*): **5M 4S**



Chat Us:
www.vivo-us.com

AVG. RESOLUTION TIME (*within office hrs*): **< 15 M**



Email Us:
help@vivo-us.com

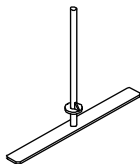
AVG. RESPONSE TIME (*within office hrs*): **1HR 8M**

- 23% within < 15m
- 38% within < 30m
- 61% within < 1hr
- 83% within < 2hr
- 92% within < 3hr

Package Contents



A (x3)
Panel



B (x6)
Feet



C (x6)
Alignment Bracket

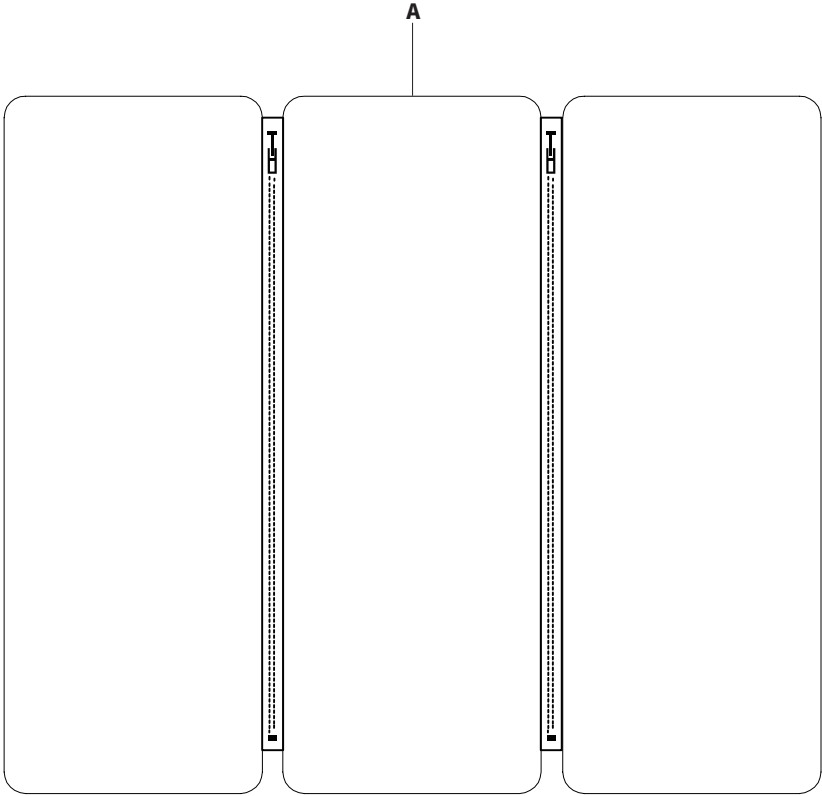


D (x12)
Locking Caster

ASSEMBLY STEPS

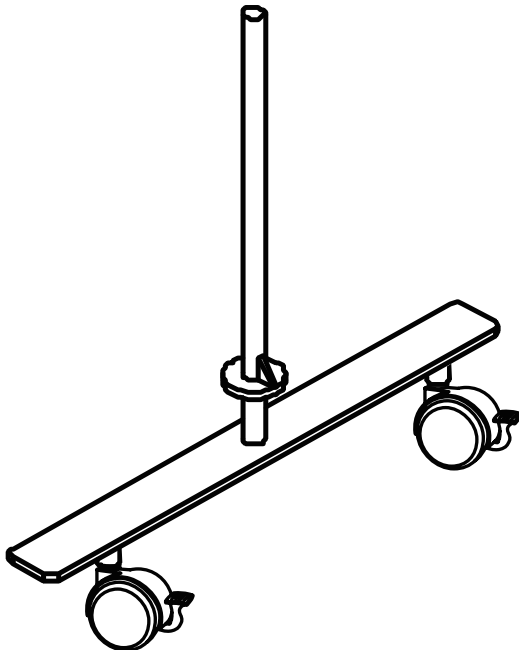
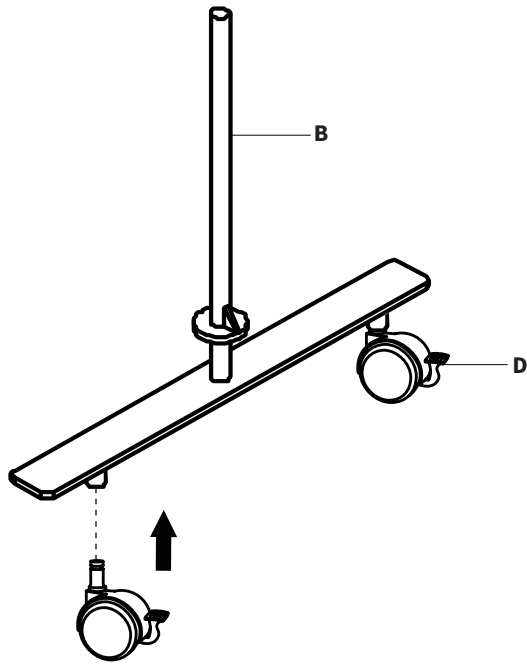
STEP 1

Connect Panels (**A**) using the zippers on the sides of each panel (2 zippers installed on center panel), making sure the mounting holes for the feet are all facing down.



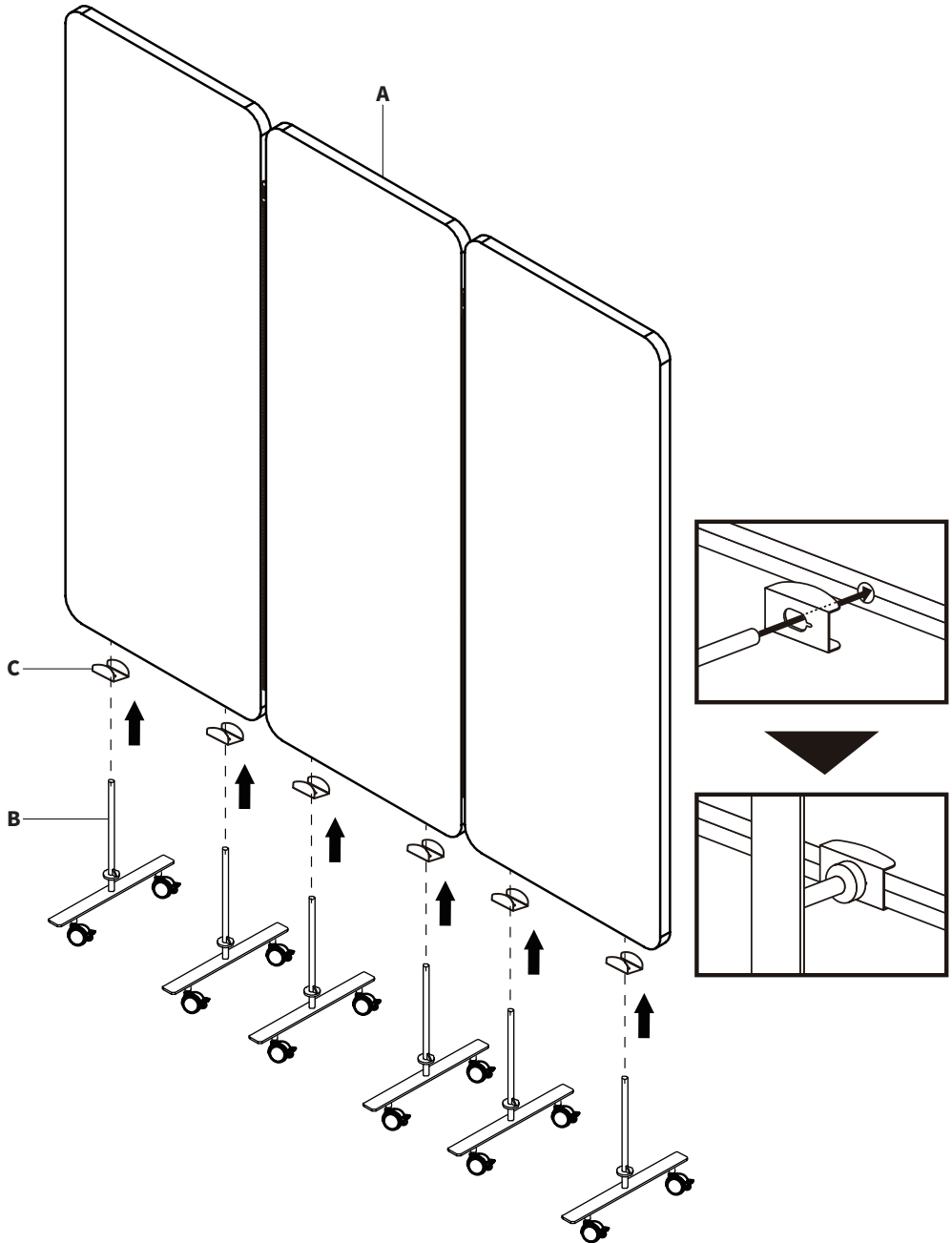
STEP 2

Press Locking Casters (**D**) into Feet (**B**).



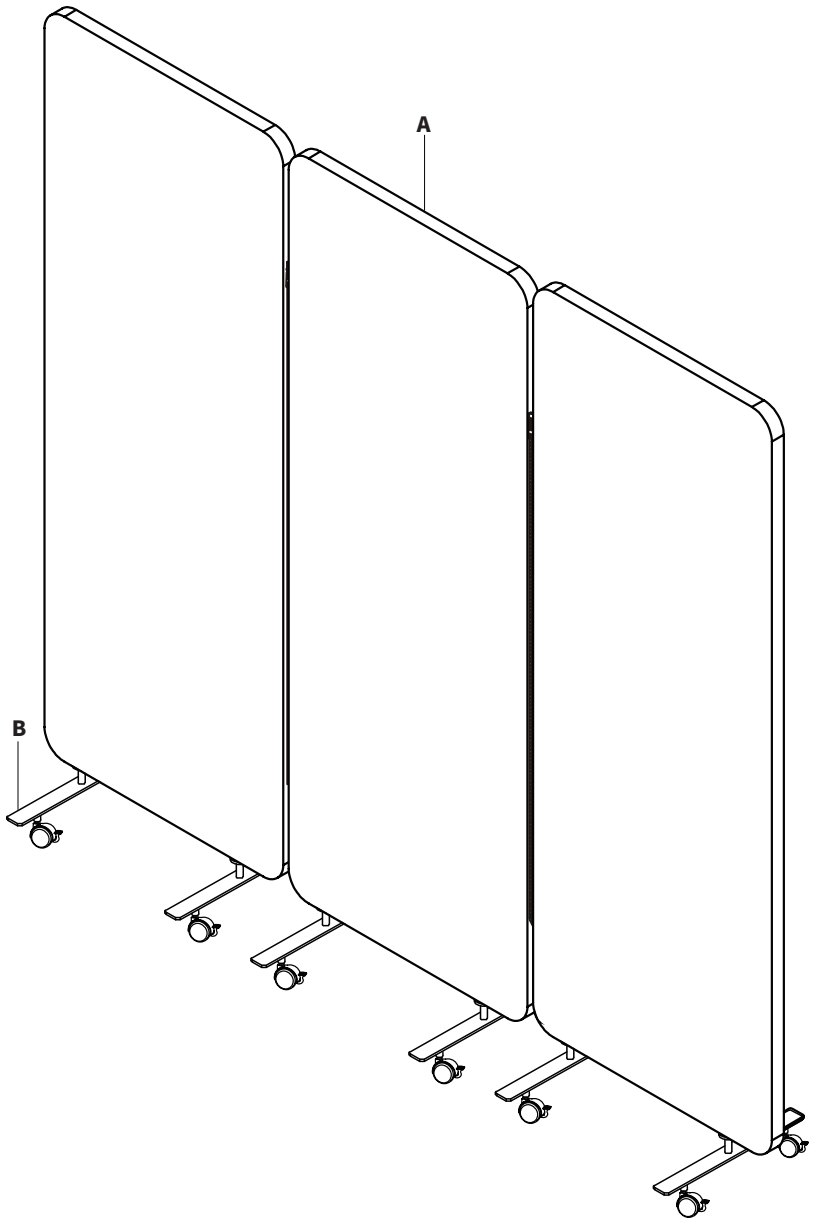
STEP 3

Slide the Alignment Brackets (C) onto Feet (B) and align the keyed slot on the bracket with the tab connecting the post and collar on Feet (B). Slide the feet assemblies into the bottom of Panels (A) with the Alignment Brackets (C) wrapped around the panels.



STEP 4

Stand Panels (A) on Feet (B) and arrange as desired.





Need Help? Get In Touch

Monday-Friday from 7:00am-7:00pm CST



help@vivo-us.com



www.vivo-us.com

Chat live with an agent!



309-278-5303



VIVO-us @vivo_us