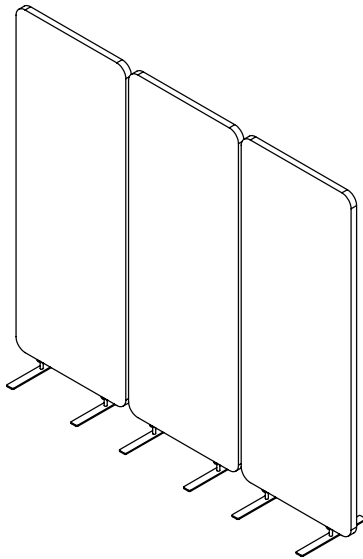


Dark Gray Freestanding Room Divider (x3) Instruction Manual



SKU: PP-3-T072D



Scan the QR code with your mobile device or follow the link for helpful videos and specifications related to this product.

<https://vivo-us.com/products/pp-3-t072g>

GET IN TOUCH | Monday-Friday from 7:00am-7:00pm CST



help@vivo-us.com



www.vivo-us.com
Chat live with an agent!



309-278-5303

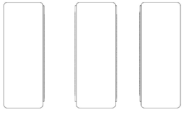
WARNING!

If you do not understand these directions, or if you have any doubts about the safety of the installation, please call a qualified technician. Check carefully to make sure there are no missing or defective parts. Improper installation may cause damage or serious injury. Do not use this product for any purpose that is not explicitly specified in this manual. Do not exceed weight capacity. We cannot be liable for damage or injury caused by improper mounting, incorrect assembly or inappropriate use.

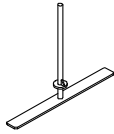
WARNING: CHOKING HAZARD

SMALL PARTS - NOT FOR CHILDREN UNDER 3 YEARS. ADULT SUPERVISION IS REQUIRED.

PACKAGE CONTENTS



A (x3)
Panel

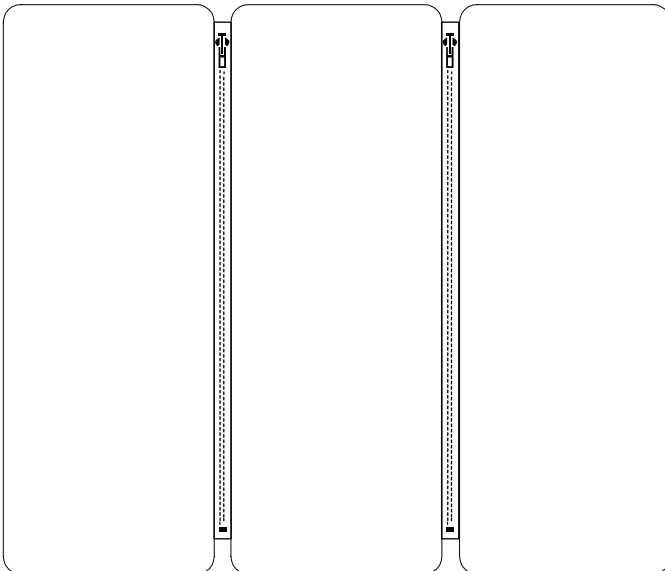


B (x6)
Feet

ASSEMBLY STEPS

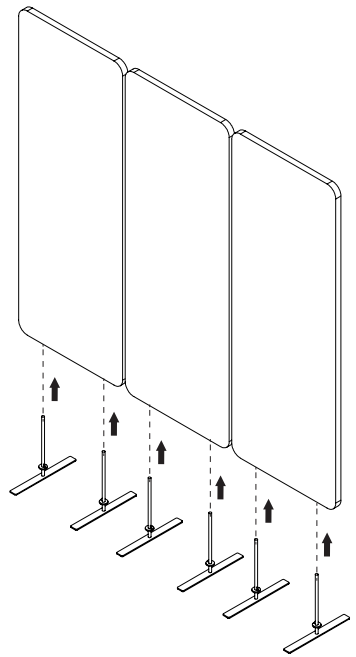
STEP 1

Connect the panels (**A**) using the zippers on the sides of each panel (*2 zippers installed on center panel*), making sure the mounting holes for the feet are all facing down.



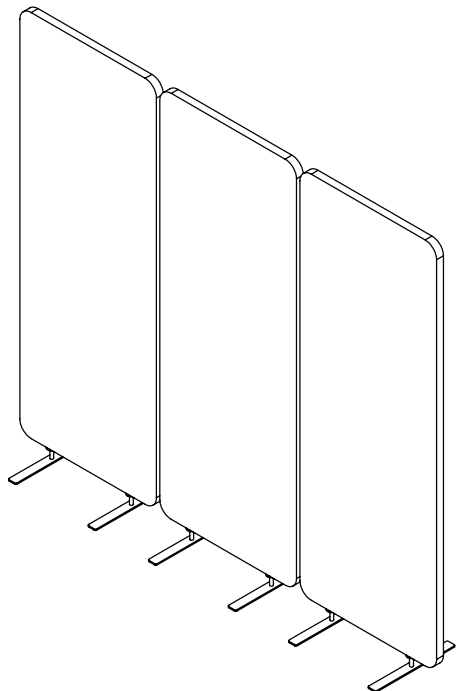
STEP 2

Slide the feet **(B)** into the mounting holes in the panels **(A)**, making sure the feet are parallel for stability.




STEP 3

Stand the panels **(A)** on the feet **(B)** and arrange as desired.





Open **Monday - Friday 7:00am - 7:00pm** CST,
our dedicated support team can offer immediate assistance with rapid response times. If any parts are received damaged or defective, please contact us. We are happy to replace parts to ensure you have a fully functioning product.

 309-278-5303

AVG. RESOLUTION TIME (*within office hrs*): **5M 4S**

 www.vivo-us.com
Chat live with an agent!

AVG. RESOLUTION TIME (*within office hrs*): **< 15 M**

 help@vivo-us.com

AVG. RESPONSE TIME (*within office hrs*): **1HR 8M**

- 23% within < 15m
- 38% within < 30m
- 61% within < 1hr
- 83% within < 2hr
- 92% within < 3hr