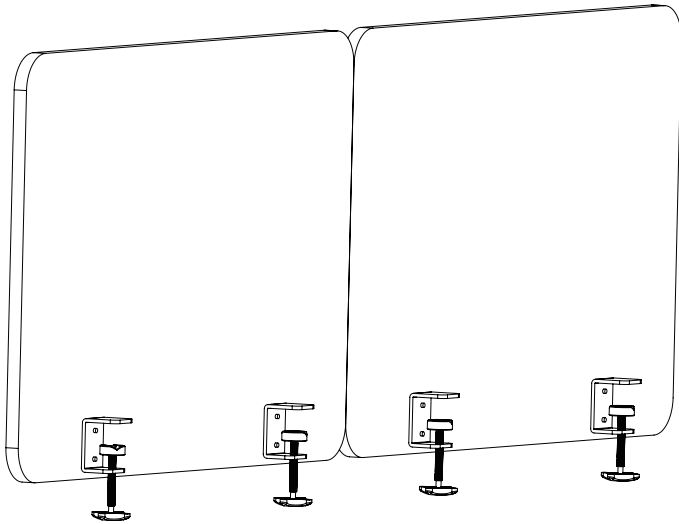




Gray Clamp-on Desk Privacy Panels (x2) Instruction Manual



SKU: PP-2-V72G



Scan the QR code with your mobile device or follow the link for helpful videos and specifications related to this product.

<https://vivo-us.com/products/pp-2-v72g>

GET IN TOUCH | Monday-Friday from 7:00am-7:00pm CST



help@vivo-us.com



www.vivo-us.com
Chat live with an agent!



309-278-5303

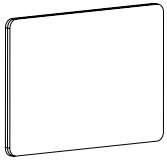
WARNING!

If you do not understand these directions, or if you have any doubts about the safety of the installation, please call a qualified technician. Check carefully to make sure there are no missing or defective parts. Improper installation may cause damage or serious injury. Do not use this product for any purpose that is not explicitly specified in this manual. Do not exceed weight capacity. We cannot be liable for damage or injury caused by improper mounting, incorrect assembly or inappropriate use.

WARNING: CHOKING HAZARD

SMALL PARTS - NOT FOR CHILDREN UNDER 3 YEARS. ADULT SUPERVISION IS REQUIRED.

PACKAGE CONTENTS



A (x2)
Panel



B (x4)
Clamp



S-A (x8)
Spacer



S-B (x8)
Washer



S-C (x8)
M6x30mm
Screw



S-D (x8)
M6x40mm
Screw

TOOLS NEEDED

NOTE: SOME HARDWARE INCLUDED MAY NOT BE USED

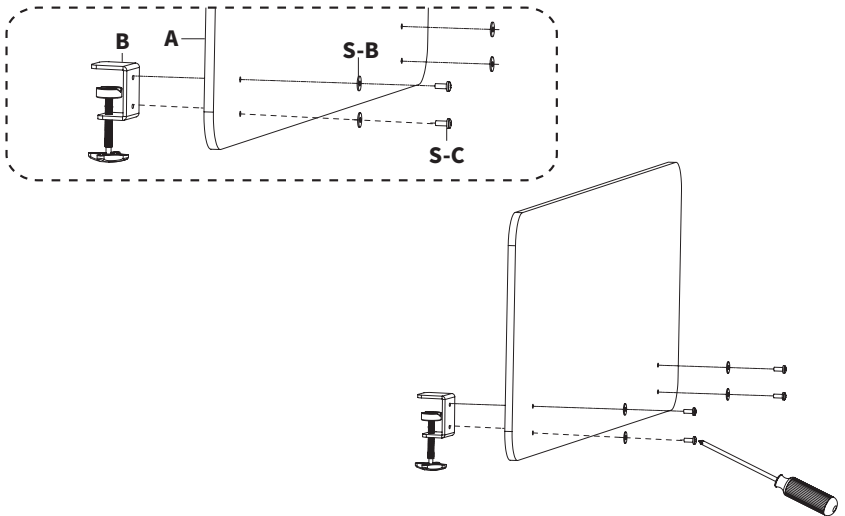


ABOVE DESK ASSEMBLY

STEP 1

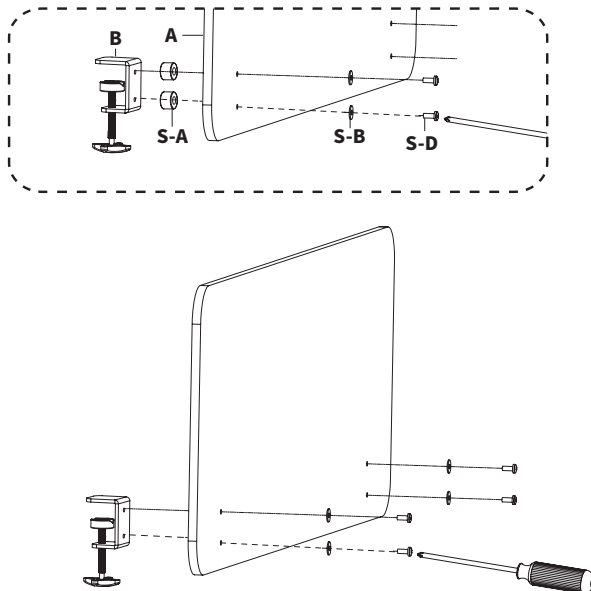
OPTION A: Flush Fit

Attach Clamps (**B**) to Panel (**A**) using M6x30mm Screws (**S-C**) and Washers (**S-B**). Tighten with a Phillips screwdriver.



OPTION B: Gap-Fit for Cables & Devices

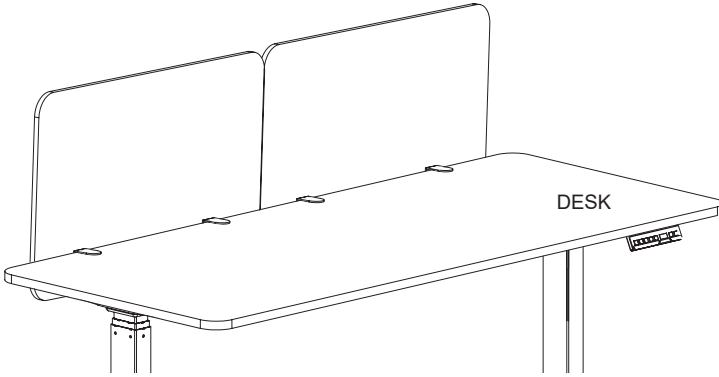
Attach Clamps (**B**) to Panel (**A**) using M6x40mm Screws (**S-D**), Washers (**S-B**), and Spacers (**S-A**) as shown in the diagram. Tighten with a Phillips screwdriver.



STEP 2

Place the assembled panel on the edge of the desk, and tighten the clamps to secure.

NOTE: Over-tightening the clamps will cause the panel to lean forwards.

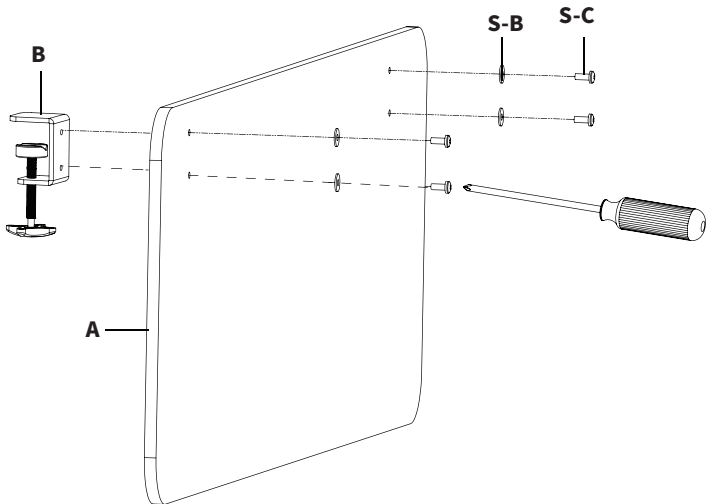


BELOW DESK ASSEMBLY

STEP 1

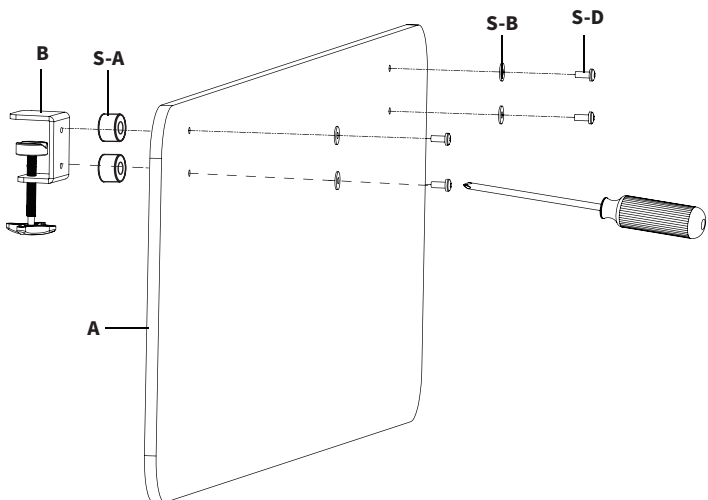
OPTION A: Flush Fit

Attach Clamps (**B**) to Panel (**A**) using M6x30mm Screws (**S-C**) and Washers (**S-B**). Tighten with a Phillips screwdriver.



OPTION B: Gap-Fit for Cables & Devices

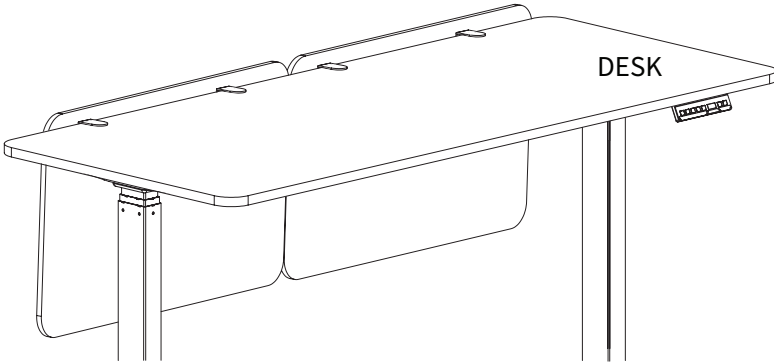
Attach Clamps (**B**) to Panel (**A**) using M6x40mm Screws (**S-D**), Washers (**S-B**), and Spacers (**S-A**) as shown in the diagram. Tighten with a Phillips screwdriver.



STEP 2

Place the assembled panel on the edge of the desk, and tighten the clamps to secure.

NOTE: Over-tightening the clamps will cause the panel to lean forwards.



[THIS PAGE INTENTIONALLY LEFT BLANK]



Love your new VIVO setup and want to share?
Tag us in your photo! **@vivo_us**

LAST UPDATED: 08/16/2023
REV1.1



Open **Monday - Friday 7:00am - 7:00pm** CST,
our dedicated support team can offer immediate assistance with rapid response times. If any parts are received damaged or defective, please contact us. We are happy to replace parts to ensure you have a fully functioning product.



309-278-5303

AVG. RESOLUTION TIME (*within office hrs*): **5M 4S**



www.vivo-us.com
Chat live with an agent!

AVG. RESOLUTION TIME (*within office hrs*): **< 15 M**



help@vivo-us.com

AVG. RESPONSE TIME (*within office hrs*): **1HR 8M**

- 23% within < 15m
- 38% within < 30m
- 61% within < 1hr
- 83% within < 2hr
- 92% within < 3hr

FOR MORE VIVO PRODUCTS, CHECK OUT OUR WEBSITE AT: www.vivo-us.com