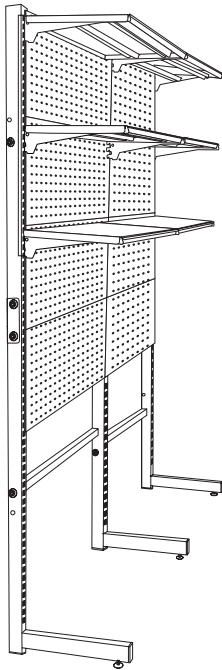




---

## Black Freestanding Pegboard Organizer

### Instruction Manual



**SKU: PP-2-PB058**



Scan the QR code with your mobile device or follow the link for helpful videos and specifications related to this product.

<https://vivo-us.com/products/pp2-pb058>

---

GET IN TOUCH | Monday-Friday from 7:00am-7:00pm CST



help@vivo-us.com



www.vivo-us.com  
*Chat live with an agent!*



309-278-5303

# ⚠️ WARNING!

If you do not understand these directions, or if you have any doubts about the safety of the installation, please call a qualified technician. Check carefully to make sure there are no missing or defective parts. Improper installation may cause damage or serious injury. Do not use this product for any purpose that is not explicitly specified in this manual and do not exceed weight capacity. We cannot be liable for damage or injury caused by improper mounting, incorrect assembly, or inappropriate use.

## ⚠️ WARNING: CHOKING HAZARD

SMALL PARTS - NOT FOR CHILDREN UNDER 3 YEARS. ADULT SUPERVISION IS REQUIRED.

### PACKAGE CONTENTS



**A (x6)**  
Shelf



**B (x8)**  
Pegboard Panels



**C (x3)**  
Vertical Support



**D (x3)**  
Support Feet



**E (x4)**  
Horizontal Connector



**F (x3)**  
Support Bracket



**G (x12)**  
Shelf Support



**H (x1)**  
Eyelet Hook



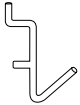
**I (x2)**  
Round Hook



**J (x2)**  
Small Round Hook



**K (x1)**  
Square Edge Hook



**L (x2)**  
Basket Hook



**M (x1)**  
Double Hook



**N (x5)**  
Magnet



**O (x20)**  
Rubber Stopper



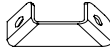
**P (x1)**  
Basket



**Q (x3)**  
Adjustable Feet



**R (x9)**  
Tube Caps



**S (x8)**  
Corner Bracket



**S-A (x6)**  
M8x45mm Screw



**S-B (x38)**  
M8 Washer



**S-C (x18)**  
M8 Nut



**S-D (x20)**  
M8x55mm Screw



**C1/D1 (x6)**  
M8x15mm Screw



**W-A (x2)**  
Wall Mounting Plate



**W-B (x2)**  
Drywall Screws



**W-C (x2)**  
Drywall Anchor



**T-A (x1)**  
14mm Wrench



**T-B (x1)**  
5mm Allen Wrench

### TOOLS NEEDED



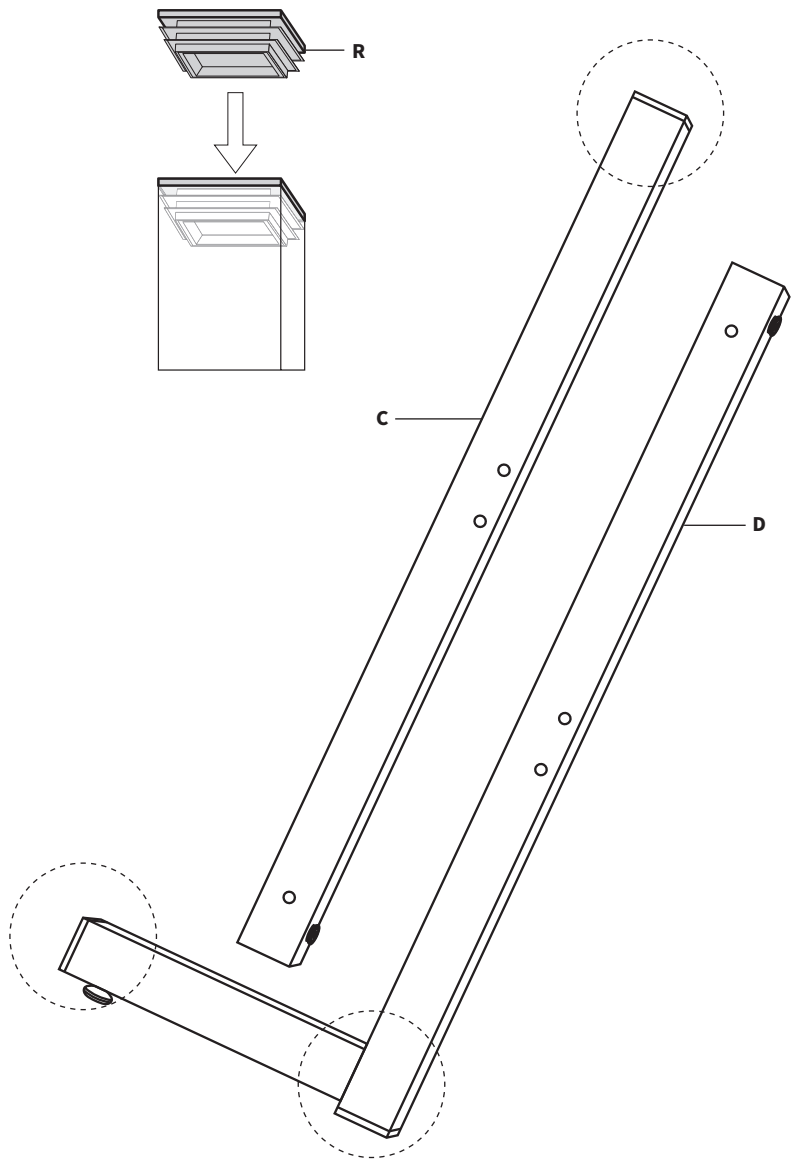
**DO NOT EXCEED WEIGHT CAPACITY.**  
Failure to do so may result in serious injury.



## ASSEMBLY STEPS

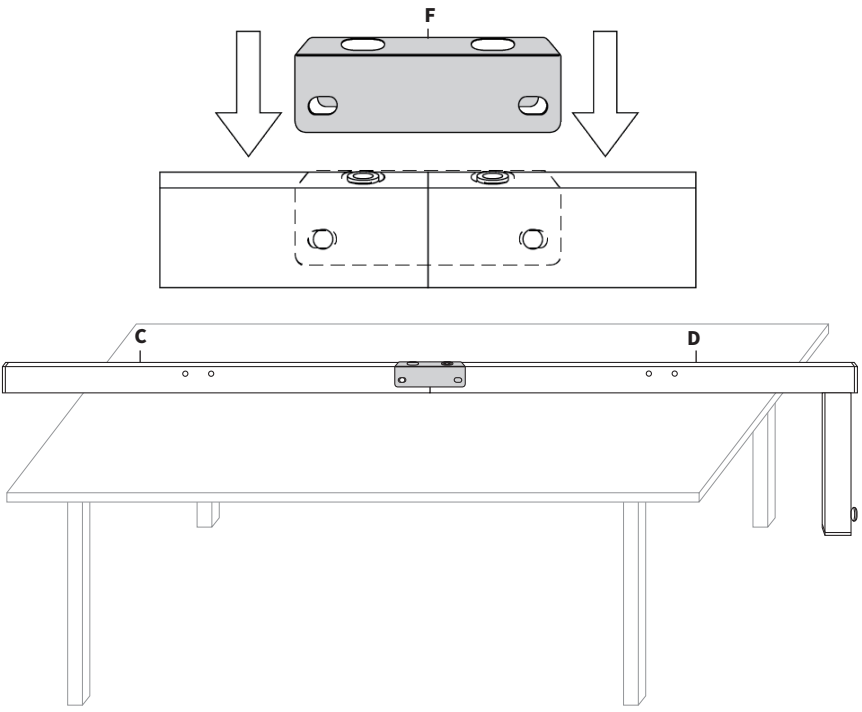
### STEP 1

Install Tub Caps (**R**) on the top of all Vertical Supports (**C**), and the bottom and end of all Support Feet (**D**).

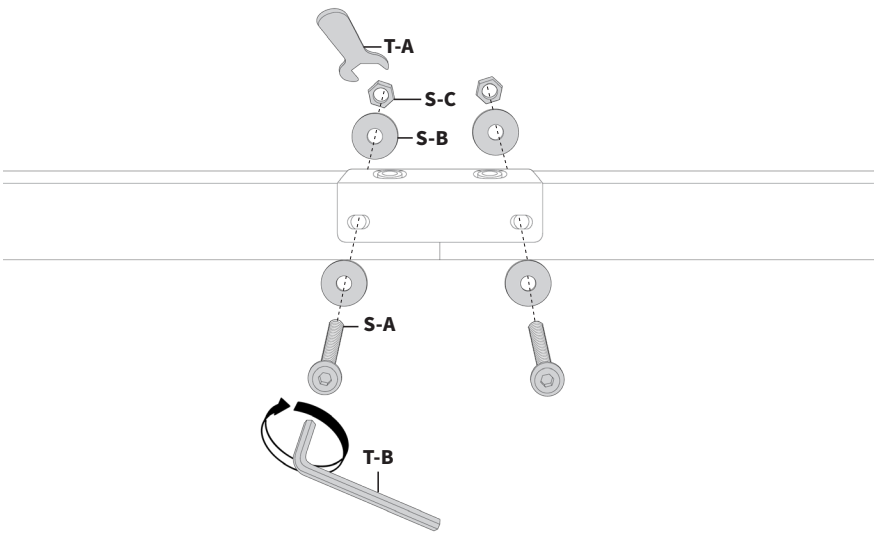


# STEP 2

Place Support Brackets (F) over the long ends of Vertical Supports (C) and Support Feet (D).



Secure Support Brackets (F) using M8x45mm Screw (S-A), M8 Washer (S-B), M8 Nut (S-C), Wrench (T-A), and 5mm Allen Wrench (T-B), in the side holes of Brackets at shown.

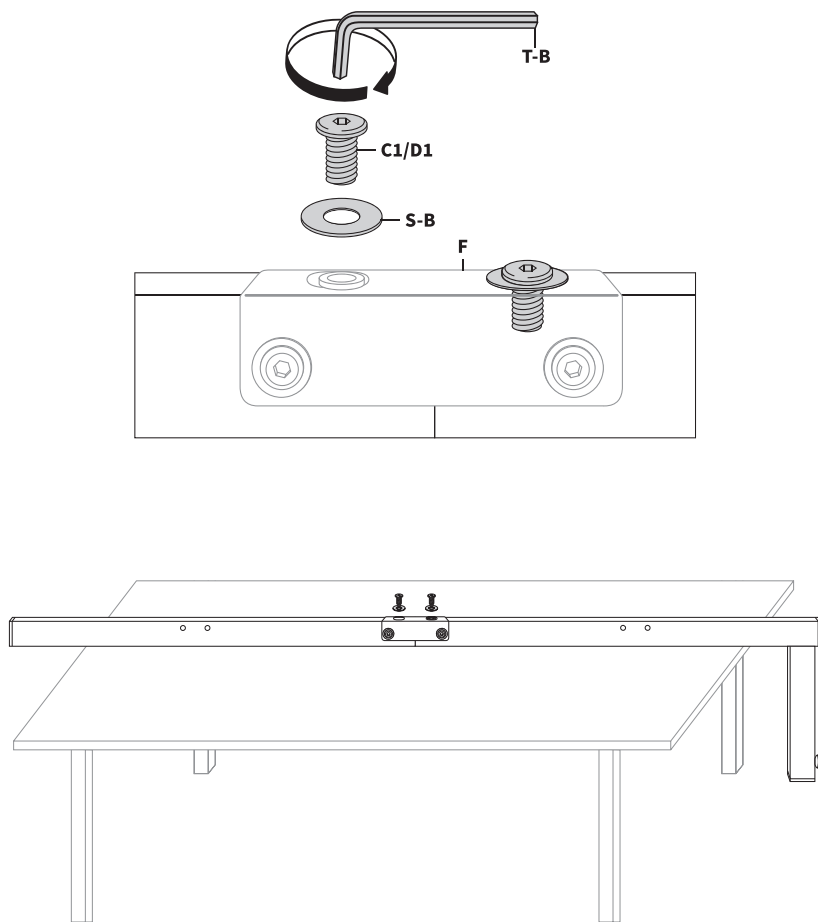


## STEP 3

**\*PLEASE NOTE:** Pegboard can be assembled as either freestanding or mounted to the wall for extra reinforcement with Wall Mounting Plates (**W-A**). To add Anchors, follow instructions for **Option B** on the next page.

### **OPTION A - NORMAL FREESTANDING ASSEMBLY**

Finish securing Support Brackets (**F**) using M8x15mm Screws (**C1/D1**), M8 Washers (**S-B**), and 5mm Allen Wrench (**T-B**) in top holes of Brackets.

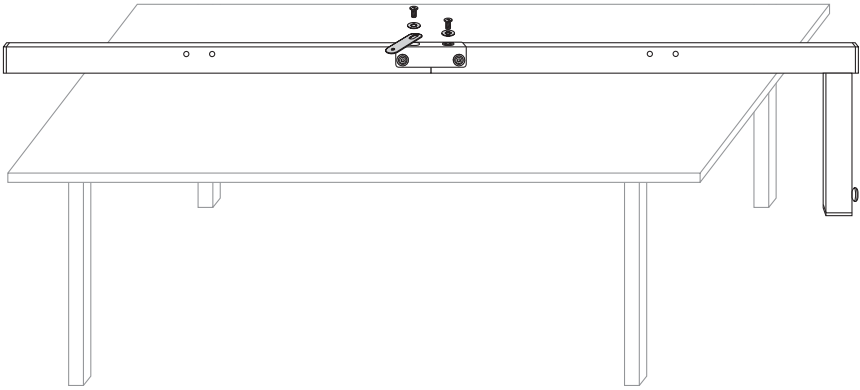
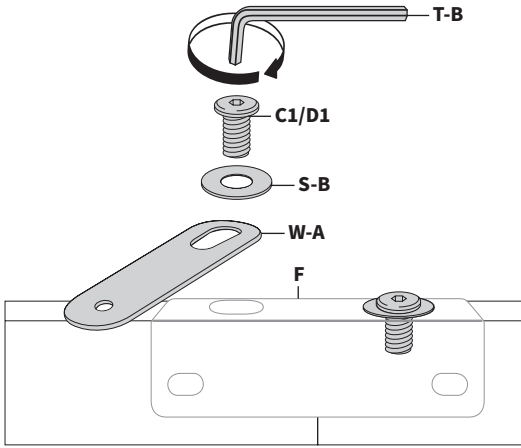


## STEP 3 - Continued

### **OPTION B - WALL MOUNTED**

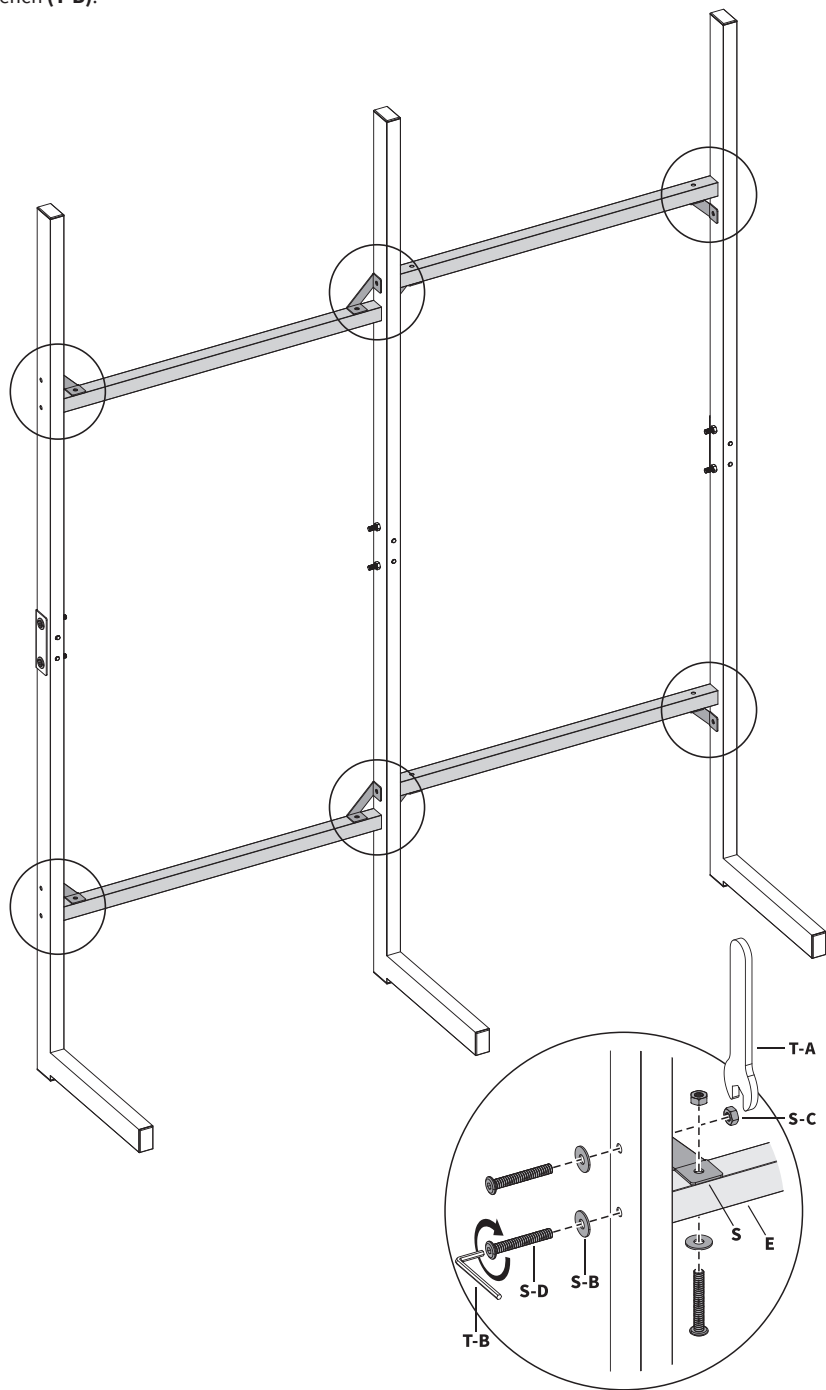
Finish securing Support Brackets (**F**) using M8x15mm Screws (**C1/D1**), M8 Washers (**S-B**), Wall Mounting Plate (**W-A**), and 5mm Allen Wrench (**T-B**) in top holes of Brackets.

**Note:** Use the oval shaped hole in Anchors.



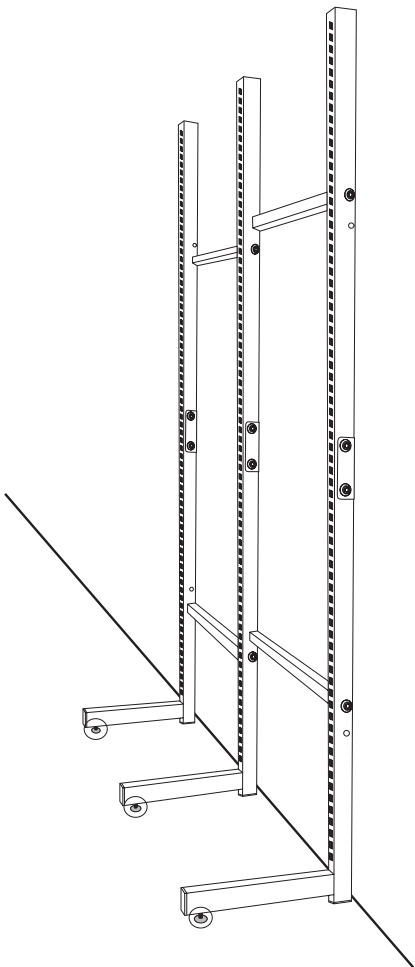
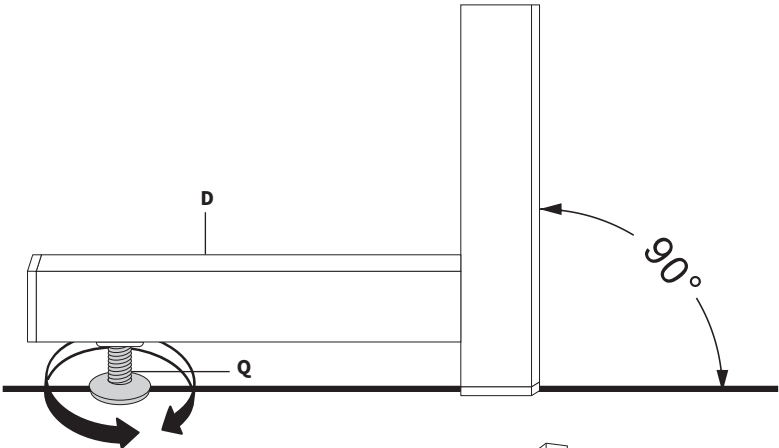
## STEP 4

Connect support assemblies together using Horizontal Connectors (**E**) and Corner Brackets (**S**), M8x55mm Screws (**S-D**), M8 Washers (**S-B**), M8 Nuts (**S-C**), 14mm Wrench (**T-A**), and 5mm Allen Wrench (**T-B**).



**STEP 5**

Stand up the pegboard assembly and install Adjustable Feet (**Q**) to underside of Support Feet (**D**) and adjust to level the pegboard.

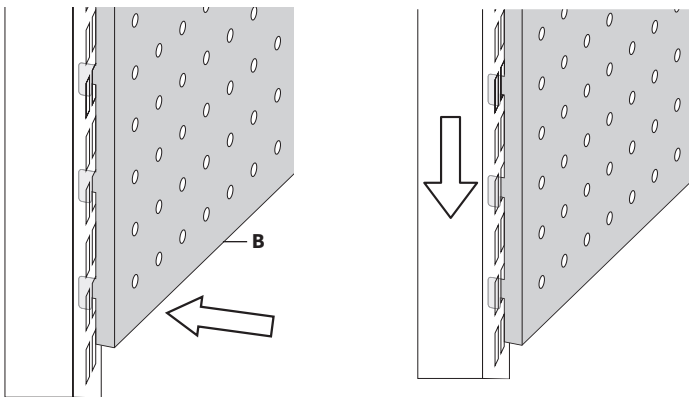




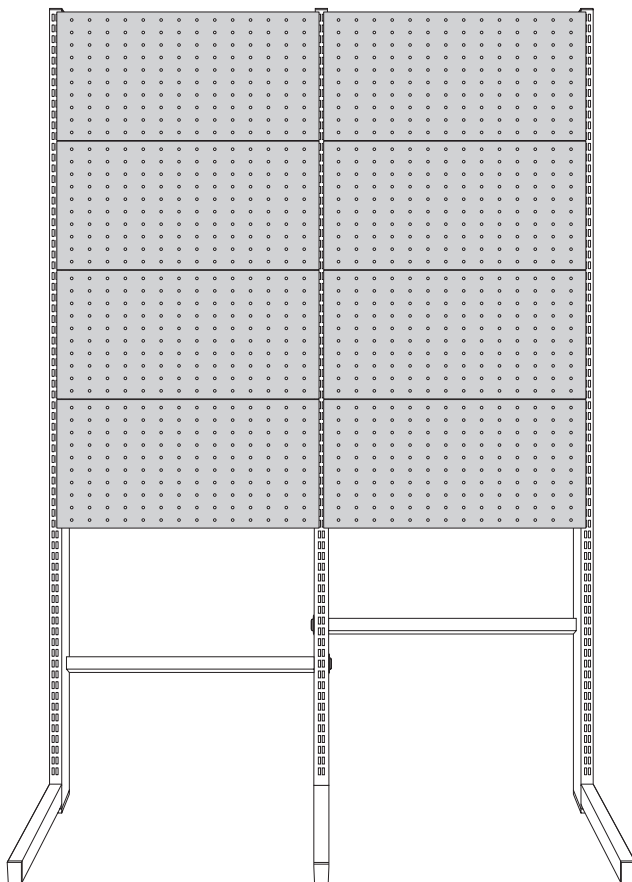
## STEP 6

Lay the supports on the ground and align the Pegboard Panels (**B**) in desired positions without installing them. Then starting with the bottom Pegboard panels, slide panel hooks into the slots in the supports.

**Note:** Install Pegboard Panels bottom to top. Improper installation will result in gaps in the pegboard.

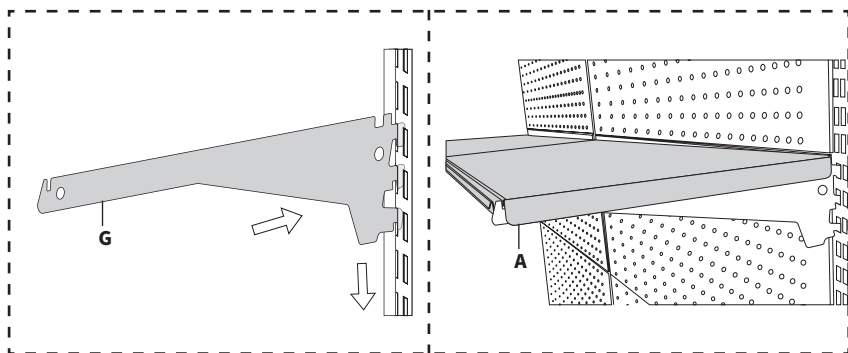


**BEGIN WITH  
BOTTOM  
PANELS**

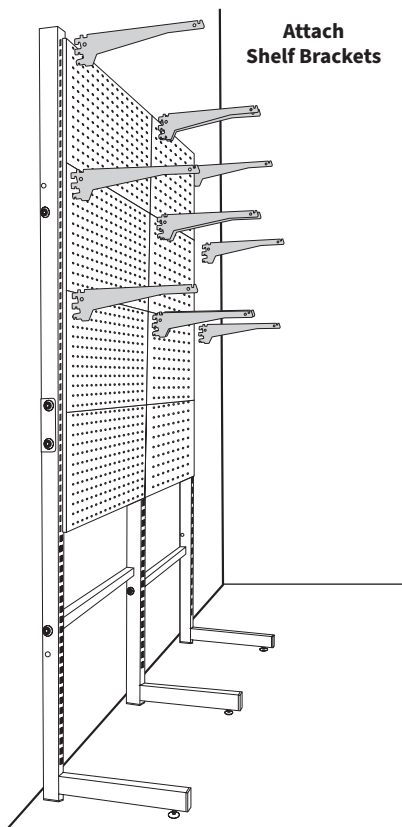


## STEP 7

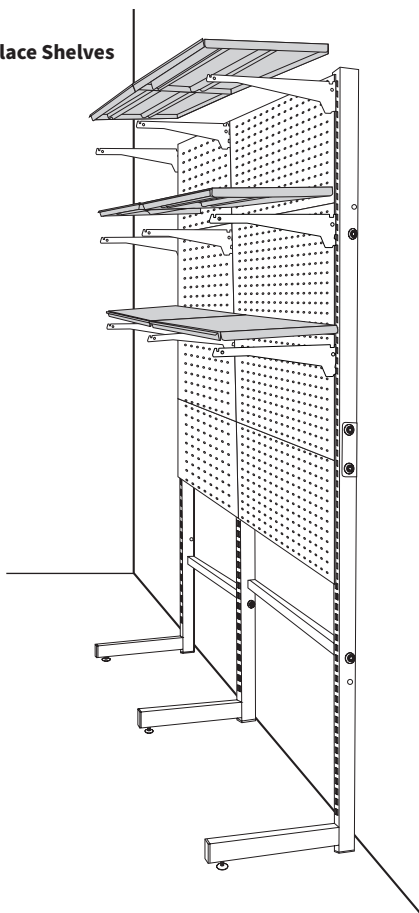
Attach Shelf Brackets (**G**) to the supports in the desired positions, and then place Shelves (**A**) on top of the Shelf Supports (**G**).



**Attach  
Shelf Brackets**

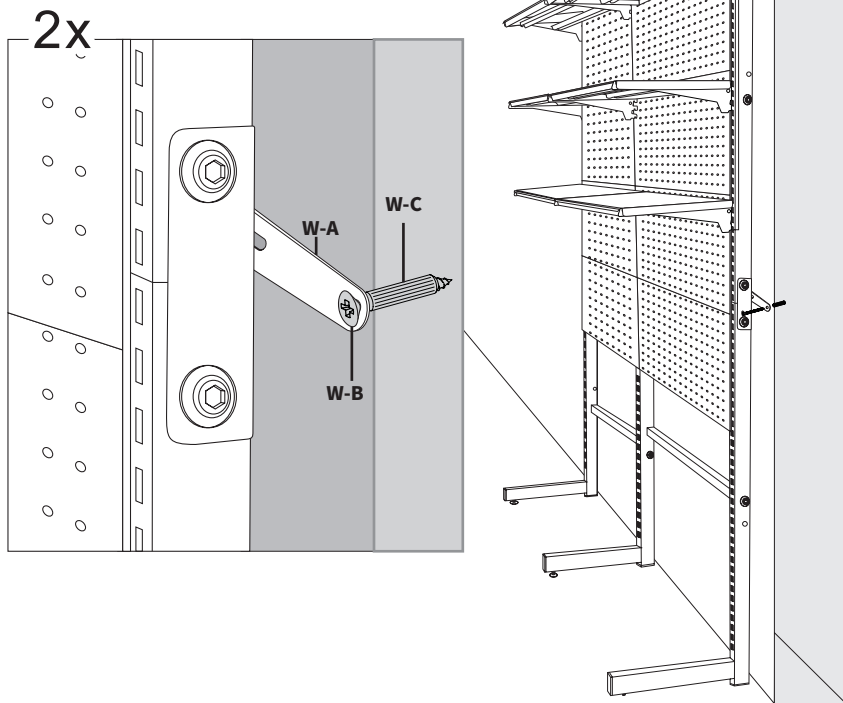


**Place Shelves**



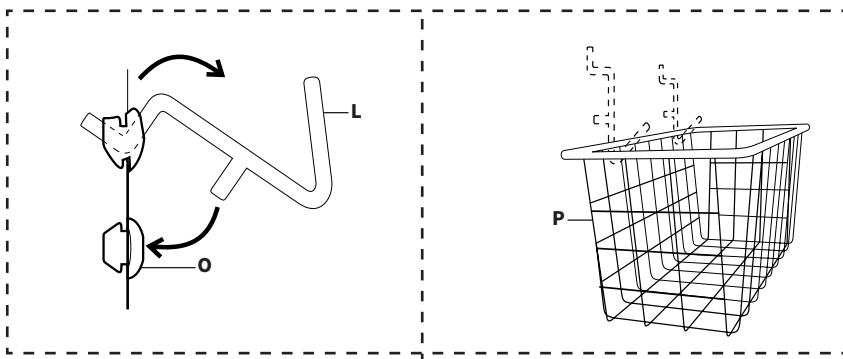
## OPTIONAL: WALL MOUNTING

If you chose wall mounting in STEP 4, connect the Wall Mounting Plate (**W-A**) to the wall using Wall Mounting Screws (**W-B**), Drywall Anchor (**W-C**), and a drill.



## ACCESSORIES

Place Accessories (**H thru P**) in desired mounting locations. Hang Basket (**P**) on Basket Hooks (**L**).





Love your new VIVO setup and want to share?  
Tag us in your photo! **@vivo\_us**

LAST UPDATED: 02/08/2024  
REV1.1



Open **Monday - Friday 7:00am - 7:00pm** CST,  
our dedicated support team can offer immediate assistance with rapid response times. If any parts are received damaged or defective, please contact us. We are happy to replace parts to ensure you have a fully functioning product.



309-278-5303

**AVG. RESOLUTION TIME** (*within office hrs*): **5M 4S**



[www.vivo-us.com](http://www.vivo-us.com)  
*Chat live with an agent!*

**AVG. RESOLUTION TIME** (*within office hrs*): **< 15 M**



[help@vivo-us.com](mailto:help@vivo-us.com)

**AVG. RESPONSE TIME** (*within office hrs*): **1HR 8M**

- 23% within < 15m
- 38% within < 30m
- 61% within < 1hr
- 83% within < 2hr
- 92% within < 3hr

FOR MORE VIVO PRODUCTS, CHECK OUT OUR WEBSITE AT: [www.vivo-us.com](http://www.vivo-us.com)