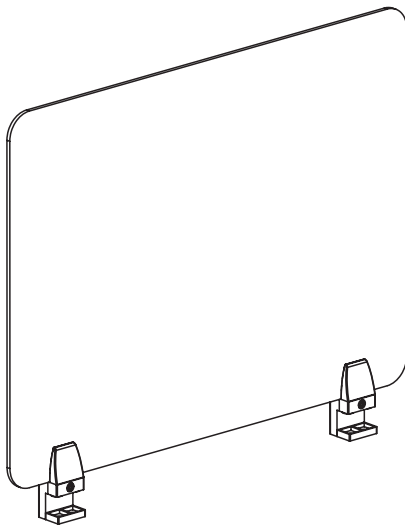




Frosted Clamp-on Desk Privacy Panels (x2) Instruction Manual



SKU: PP-2-G060C



Scan the QR code with your mobile device or follow the link for helpful videos and specifications related to this product.

<https://vivo-us.com/products/pp-2-g060c>

GET IN TOUCH | Monday-Friday from 7:00am-7:00pm CST



help@vivo-us.com



www.vivo-us.com
Chat live with an agent!



309-278-5303

WARNING!

If you do not understand these directions, or if you have any doubts about the safety of the installation, please call a qualified technician. Check carefully to make sure there are no missing or defective parts. Improper installation may cause damage or serious injury. Do not use this product for any purpose that is not explicitly specified in this manual. Do not exceed weight capacity. We cannot be liable for damage or injury caused by improper mounting, incorrect assembly or inappropriate use.

WARNING: CHOKING HAZARD

SMALL PARTS - NOT FOR CHILDREN UNDER 3 YEARS. ADULT SUPERVISION IS REQUIRED.

PACKAGE CONTENTS



A (x2)
Panel



B (x4)
Clamp



C (x8)
Pad



D (x8)
Plastic Pad



S-A (x8)
ST3.9x25



S-B (x4)
M6x12



S-C (x4)
M6x25



S-D (x4)
M6x40



T-A (x2)
Allen Wrench

TOOLS NEEDED



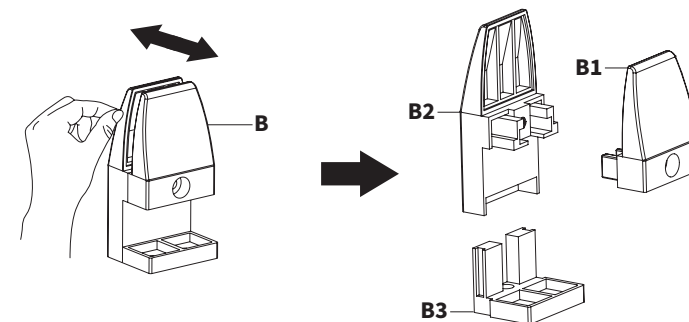
Phillips
Screwdriver

NOTE: SOME HARDWARE MAY NOT BE USED

ASSEMBLY STEPS

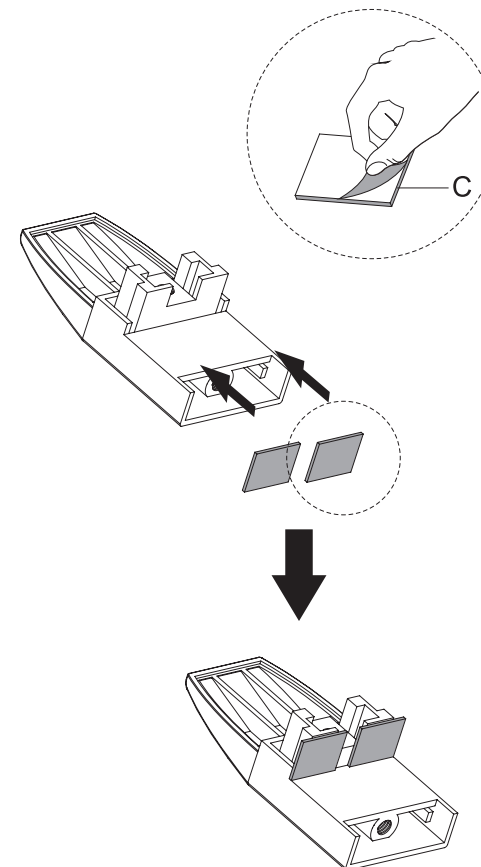
STEP 1

Separate Clamp **(B)** into three parts: Clamp Front **(B1)**, Clamp Back **(B2)**, and Lower Clamp **(B3)**.



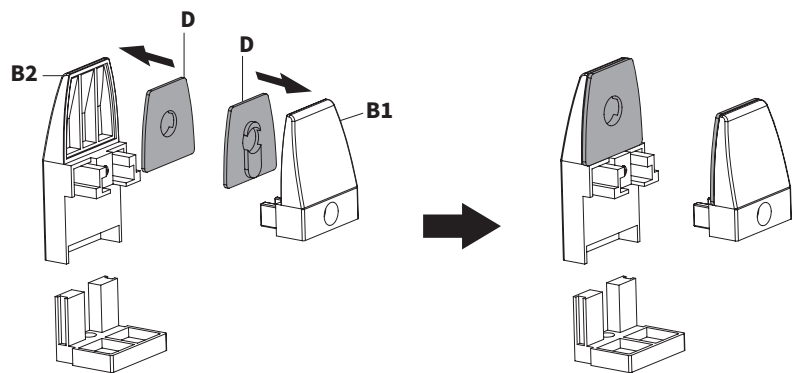
STEP 2

Remove protective film from Pads **(C)** and apply to the underside of each clamp.



STEP 3

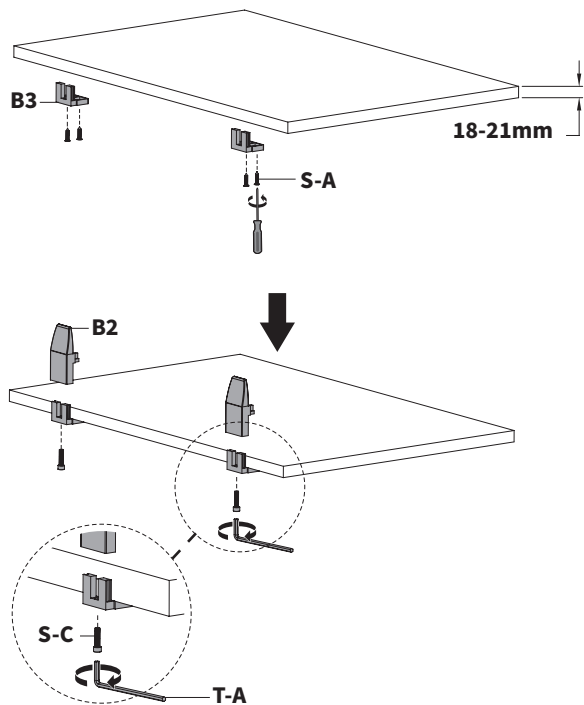
Place the Plastic Pads (D) on the inner face of Clamp Front (B1) and Clamp Back (B2)



STEP 4a

OPTION A: 3/4" - 1" (18mm - 21mm) Desktop

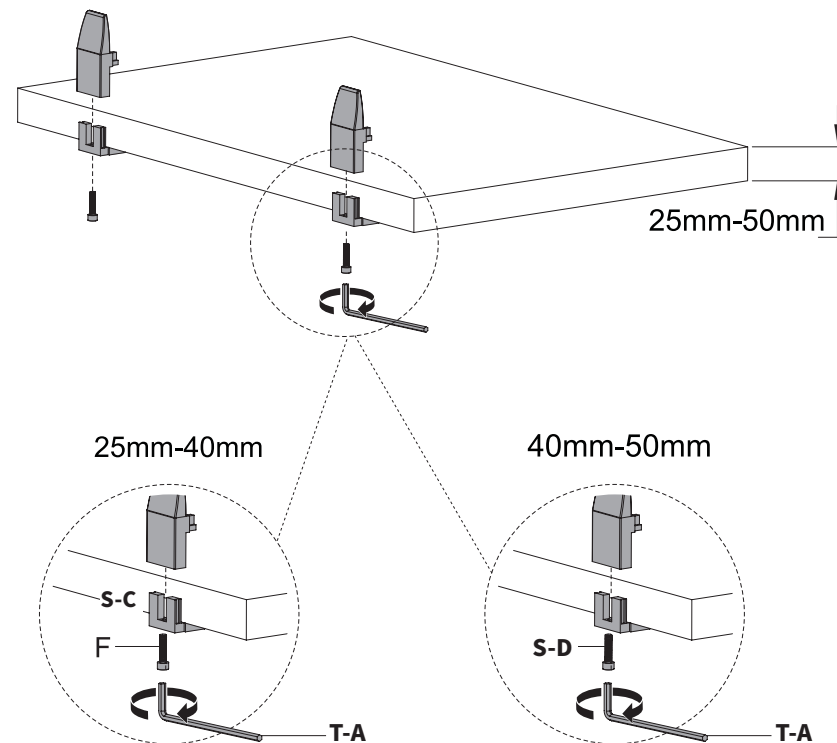
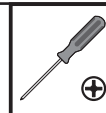
Attach Lower Clamps (B3) to the underside of the desk edge using ST3.9x25mm Screws (S-A). For correct fit, the space between the clamps must be no more than 18" (455mm). Slide the Back Clamps (B2) onto Lower Clamps (B3), and secure using M6x25mm Screws (S-C) and Allen Wrench (T-A).



STEP 4b

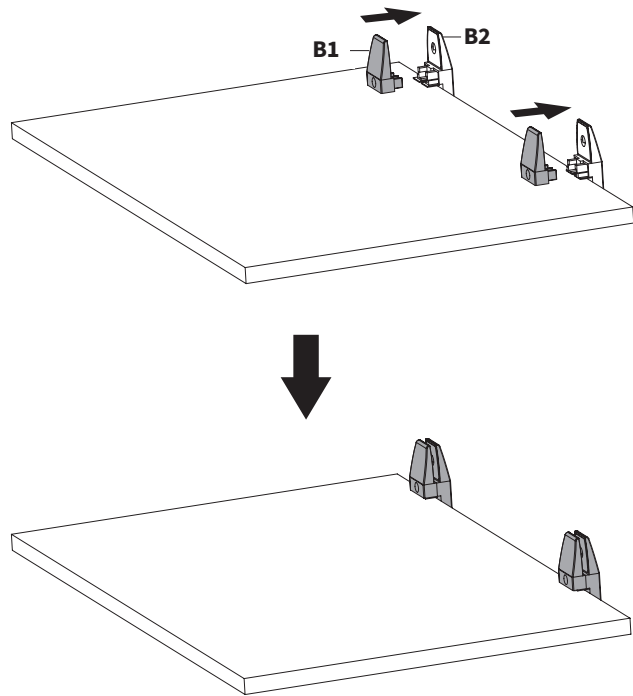
OPTION B: 1" - 2" (25mm - 50mm) Desktop

Slide Back Clamp (B2) onto Lower Clamps (B3), and partially insert M6x25mm Screws (S-C) or M6x40mm Screws (S-D) depending on the desktop thickness. Place the clamps on the edge of the desk, and tighten using the Allen Wrench (ST-A). **NOTE:** For correct fit, the space between the clamps must be no more than 18" (455mm).



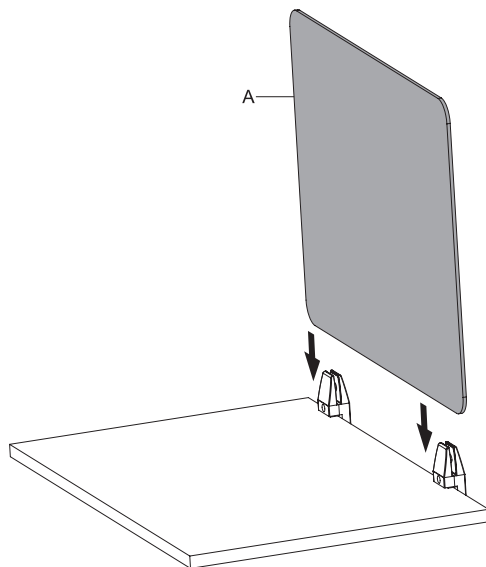
STEP 5

Slide Front Clamps (B1) onto Back Clamps (B2).



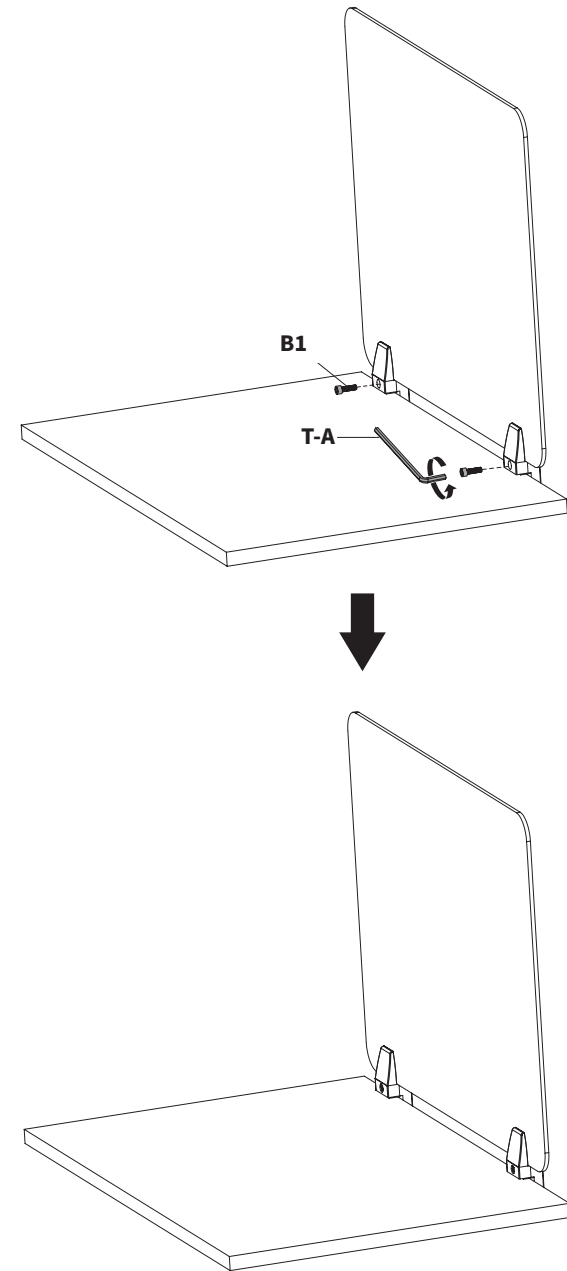
STEP 6

Remove protective film from the Panels (A) place into the clamps, making sure the panels are fit between the plastic pads.



STEP 7

Insert the M6x12mm Screws (S-B) into the Front Clamps (B1), and tighten with Allen Wrench (T-A).





Open **Monday - Friday 7:00am - 7:00pm** CST,
our dedicated support team can offer immediate assistance with rapid response times. If any parts are received damaged or defective, please contact us. We are happy to replace parts to ensure you have a fully functioning product.



309-278-5303

AVG. RESOLUTION TIME (*within office hrs*): **5M 4S**



www.vivo-us.com

Chat live with an agent!

AVG. RESOLUTION TIME (*within office hrs*): **< 15 M**



help@vivo-us.com

AVG. RESPONSE TIME (*within office hrs*): **1HR 8M**

- 23% within < 15m
- 38% within < 30m
- 61% within < 1hr
- 83% within < 2hr
- 92% within < 3hr