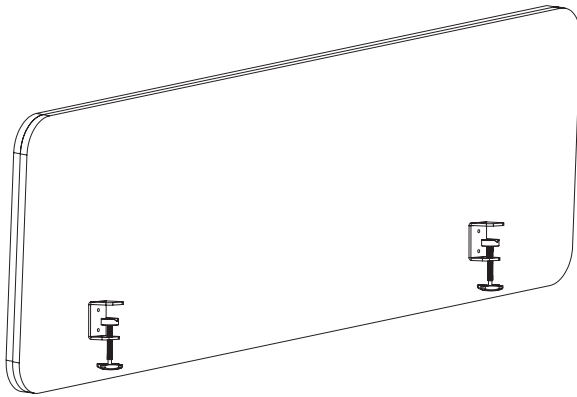




---

## 60" x 24" Clamp-on Desk Privacy Panel Instruction Manual



**SKU: PP-1-V060G/D**



Scan the QR code with your mobile device or follow the link for helpful videos and specifications related to this product.

**<https://vivo-us.com/products/pp-1-v060g>**

---

**GET IN TOUCH** | Monday-Friday from 7:00am-7:00pm CST



help@vivo-us.com



www.vivo-us.com  
*Chat live with an agent!*



309-278-5303

 **WARNING!**

If you do not understand these directions, or if you have any doubts about the safety of the installation, please call a qualified technician. Check carefully to make sure there are no missing or defective parts. Improper installation may cause damage or serious injury. Do not use this product for any purpose that is not explicitly specified in this manual. Do not exceed weight capacity. We cannot be liable for damage or injury caused by improper mounting, incorrect assembly or inappropriate use.

**PACKAGE CONTENTS**



**A (x1)**  
Panel



**B (x2)**  
Clamp



**S-A (x4)**  
Spacer



**S-B (x4)**  
Washer



**S-C (x4)**  
M6x30mm  
Screw



**S-D (x4)**  
M6x40mm  
Screw

**TOOLS NEEDED**

**NOTE:** SOME HARDWARE INCLUDED MAY NOT BE USED



Phillips  
Screwdriver

 **WARNING: CHOKING HAZARD**

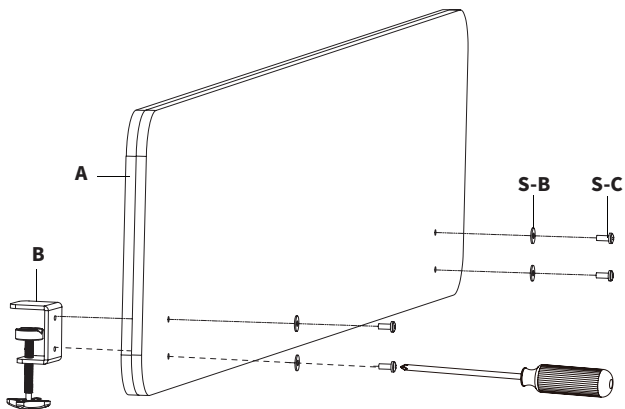
SMALL PARTS - NOT FOR CHILDREN UNDER 3 YEARS. ADULT SUPERVISION IS REQUIRED.

# ABOVE DESK ASSEMBLY

## STEP 1

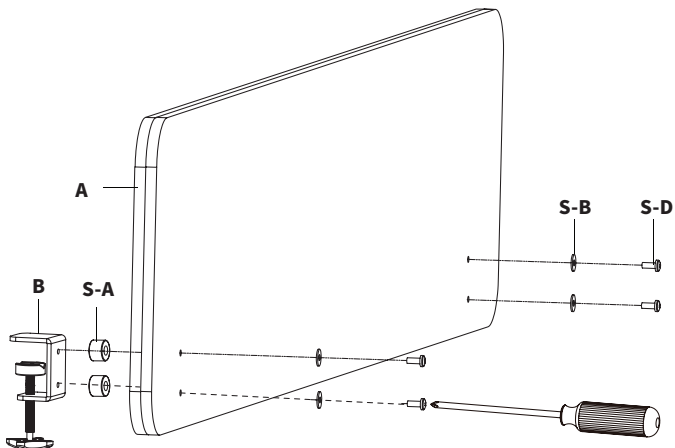
### OPTION A: Flush Fit

Attach Clamps (B) to Panel (A) using M6x30mm Screws (S-C) and Washers (S-B). Tighten with a Phillips screwdriver.



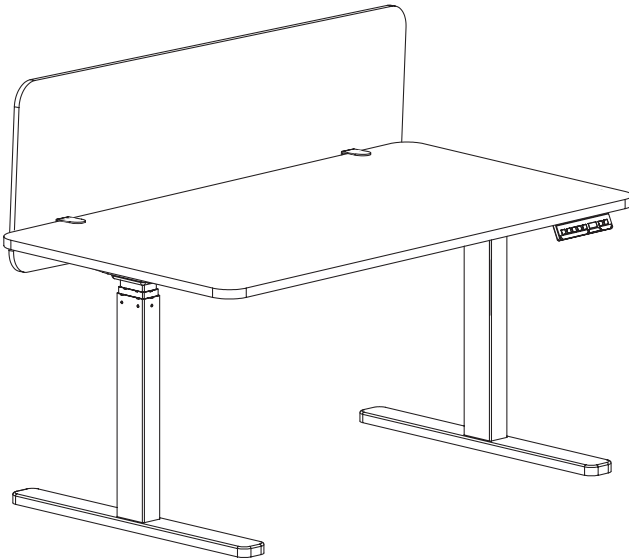
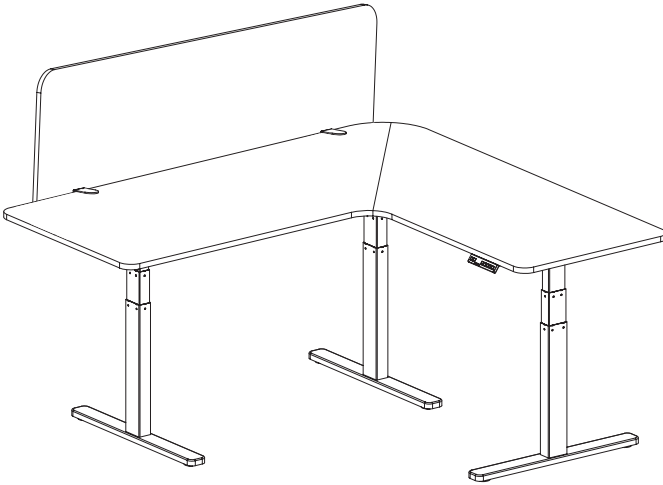
### OPTION B: Gap-Fit for Cables and Devices

Attach Clamps (B) to Panel (A) using M6x40mm Screws (S-D), Washers (S-B) and Spacers (S-A). Tighten with a Phillips screwdriver.



## STEP 2

Place the assembled panel on the edge of the desk, and tighten the clamps to secure.  
**NOTE:** Over-tightening the clamps will cause the panel to lean forwards.

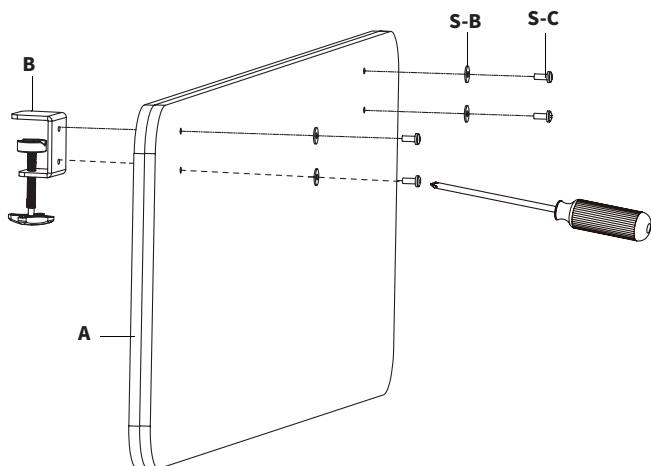


# BELOW DESK ASSEMBLY

## STEP 1

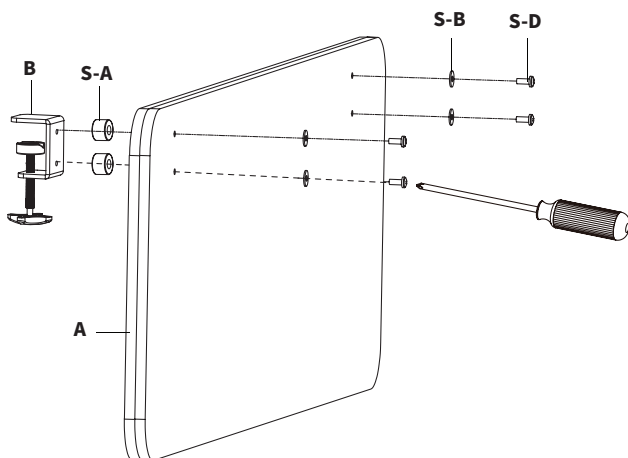
### OPTION A: Flush Fit

Attach Clamps (B) to Panel (A) using M6x30mm Screws (S-C) and Washers (S-B). Tighten with a Phillips screwdriver.



### OPTION B: Gap-Fit for Cables and Devices

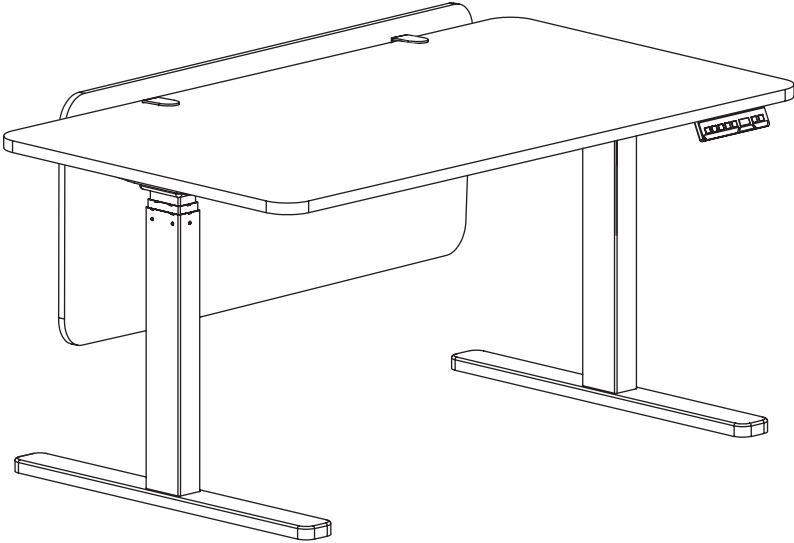
Attach Clamps (B) to Panel (A) using M6x40mm Screws (S-D), Washers (S-B) and Spacers (S-A). Tighten with a Phillips screwdriver.



## STEP 2

Place the assembled panel on the edge of the desk, and tighten the clamps to secure.

**NOTE:** Over-tightening the clamps will cause the panel to lean forwards.



[ THIS PAGE INTENTIONALLY LEFT BLANK ]



Love your new VIVO setup and want to share?  
Tag us in your photo! **@vivo\_us**

LAST UPDATED: 08/16/2023  
REV1.1



Open **Monday - Friday 7:00am - 7:00pm** CST,  
our dedicated support team can offer immediate assistance with rapid response times. If any parts are received damaged or defective, please contact us. We are happy to replace parts to ensure you have a fully functioning product.



309-278-5303

**AVG. RESOLUTION TIME** (*within office hrs*): **5M 4S**



[www.vivo-us.com](http://www.vivo-us.com)  
*Chat live with an agent!*

**AVG. RESOLUTION TIME** (*within office hrs*): **< 15 M**



[help@vivo-us.com](mailto:help@vivo-us.com)

**AVG. RESPONSE TIME** (*within office hrs*): **1HR 8M**

- 23% within < 15m
- 38% within < 30m
- 61% within < 1hr
- 83% within < 2hr
- 92% within < 3hr

FOR MORE VIVO PRODUCTS, CHECK OUT OUR WEBSITE AT: [www.vivo-us.com](http://www.vivo-us.com)