

# Gray Mobile Freestanding Room Divider

*SKU: PP-1-T024G-M*

Instruction Manual

---

Assembly Video & Product Info  
[www.vivo-us.com/products/pp-1-t024g-m](http://www.vivo-us.com/products/pp-1-t024g-m)



# ! CAUTION! !

If you do not understand these directions, or if you have any doubts about the safety of the installation, please contact our product support team at 309-278-5303 or [help@vivo-us.com](mailto:help@vivo-us.com) for further assistance. Check carefully to make sure there are no missing or defective parts. Improper installation may cause damage or serious injury. Do not use this product for any purpose that is not explicitly specified in this manual. Do not exceed weight capacity. We cannot be liable for damage or injury caused by improper mounting, incorrect assembly or inappropriate use.



## WARNING: CHOKING HAZARD

SMALL PARTS - NOT FOR CHILDREN UNDER 3 YEARS. ADULT SUPERVISION IS REQUIRED.



## DO NOT EXCEED WEIGHT CAPACITY

FAILURE TO DO SO MAY RESULT IN SERIOUS INJURY.

---

## We're Here for You

Open **Monday - Friday 7:00am - 7:00pm** CST, our dedicated support team can offer immediate assistance with rapid response times. If any parts are received damaged or defective, please contact us. We are happy to replace parts to ensure you have a fully functioning product.



Give us a Call:  
**309-278-5303**

AVG. RESOLUTION TIME (*within office hrs*): **5M 4S**



Chat Us:  
**[www.vivo-us.com](http://www.vivo-us.com)**

AVG. RESOLUTION TIME (*within office hrs*): **< 15 M**



Email Us:  
**[help@vivo-us.com](mailto:help@vivo-us.com)**

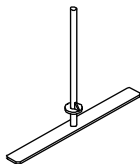
AVG. RESPONSE TIME (*within office hrs*): **1HR 8M**

- 23% within < 15m
- 38% within < 30m
- 61% within < 1hr
- 83% within < 2hr
- 92% within < 3hr

# Package Contents



**A** (x1)  
Panel



**B** (x2)  
Feet



**C** (x2)  
Alignment Bracket

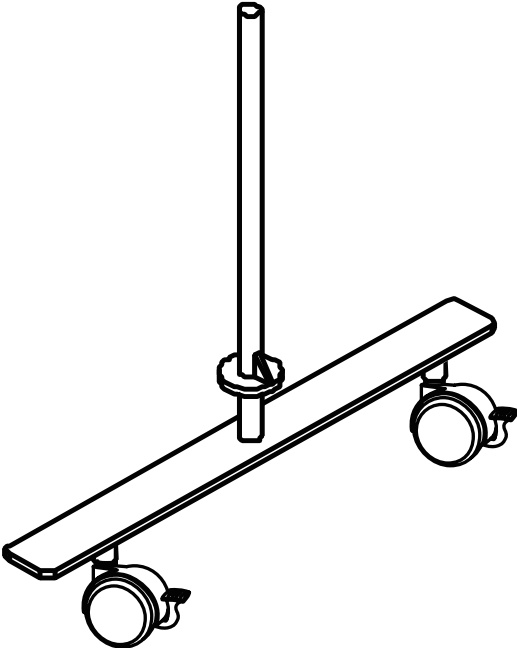
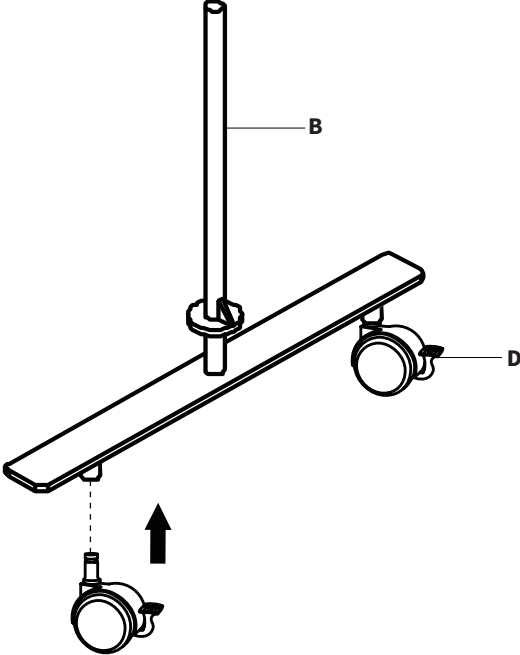


**D** (x4)  
Locking Caster

# ASSEMBLY STEPS

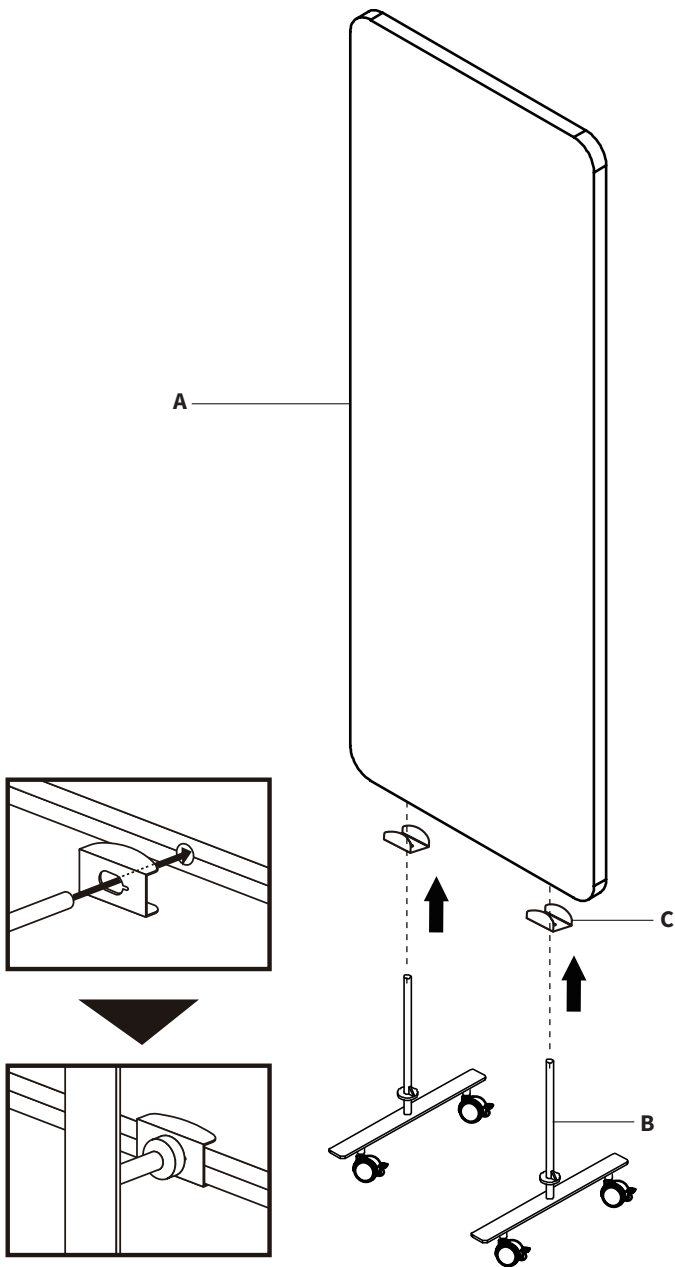
## STEP 1

Press Locking Casters (D) into Feet (B).



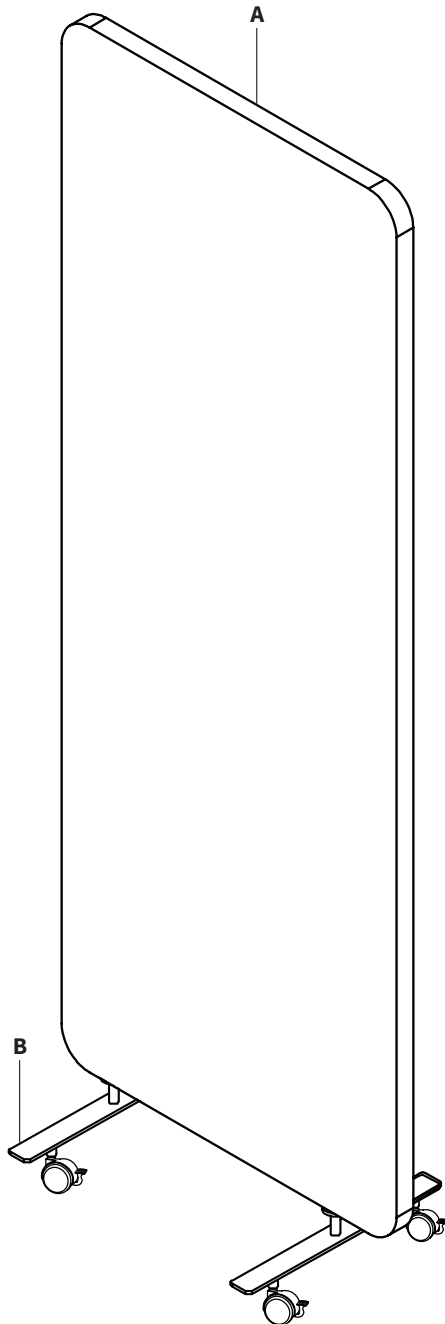
## STEP 2

Slide the Alignment Brackets (C) onto Feet (B) and align the keyed slot on the bracket with the tab connecting the post and collar on Feet (B). Slide the feet assemblies into the bottom of Panel (A) with the Alignment Brackets (C) wrapped around the panels.



## STEP 3

Stand Panels (**A**) on Feet (**B**). If using multiple panels, connect the panels using zippers on the sides of each panel and arrange as desired.



**[THIS PAGE INTENTIONALLY LEFT BLANK]**

LAST UPDATED: 12/14/23

REV1

v1.0



## Need Help? Get In Touch

Monday-Friday from 7:00am-7:00pm CST



[help@vivo-us.com](mailto:help@vivo-us.com)



[www.vivo-us.com](http://www.vivo-us.com)

*Chat live with an agent!*



309-278-5303



VIVO-us @vivo\_us

FOR MORE GREAT VIVO PRODUCTS,  
CHECK OUT OUR WEBSITE AT: [WWW.VIVO-US.COM](http://WWW.VIVO-US.COM)