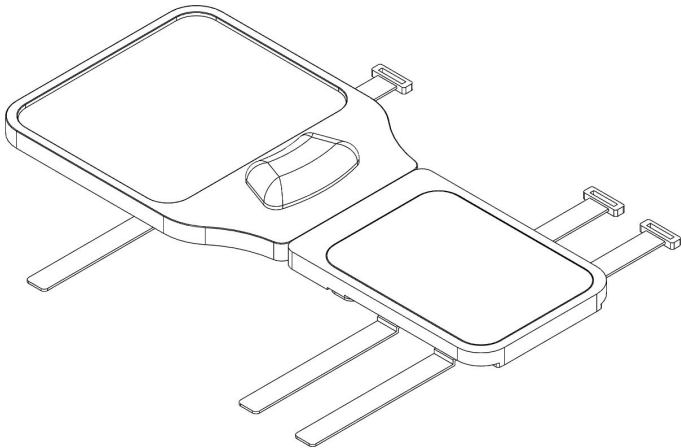




---

## Wooden Arm Rest and Mouse Pad

### Instruction Manual



**SKU: MOUNT-MS02D**



Scan the QR code with your mobile device or follow the link for helpful videos and specifications related to this product.

<https://vivo-us.com/products/mount-ms02d>

---

**GET IN TOUCH** | Monday-Friday from 7:00am-7:00pm CST



help@vivo-us.com



www.vivo-us.com  
*Chat live with an agent!*



309-278-5303

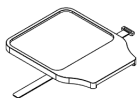
# ! WARNING!

If you do not understand these directions, or if you have any doubts about the safety of the installation, please call a qualified technician. Check carefully to make sure there are no missing or defective parts. Improper installation may cause damage or serious injury. Do not use this product for any purpose that is not explicitly specified in this manual. Do not exceed weight capacity. We cannot be liable for damage or injury caused by improper mounting, incorrect assembly or inappropriate use.

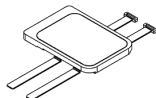
## ! WARNING: CHOKING HAZARD

SMALL PARTS - NOT FOR CHILDREN UNDER 3 YEARS. ADULT SUPERVISION IS REQUIRED.

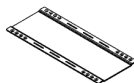
### PACKAGE CONTENTS



**A** (x1)  
Mouse Pad



**B** (x1)  
Arm Rest



**C** (x1)  
Adjustment Plate



**D** (x1)  
Support Plate Set



**E** (x1)  
Wrist Pad



**S-A** (x8)  
M4x10 Screws

### TOOLS NEEDED

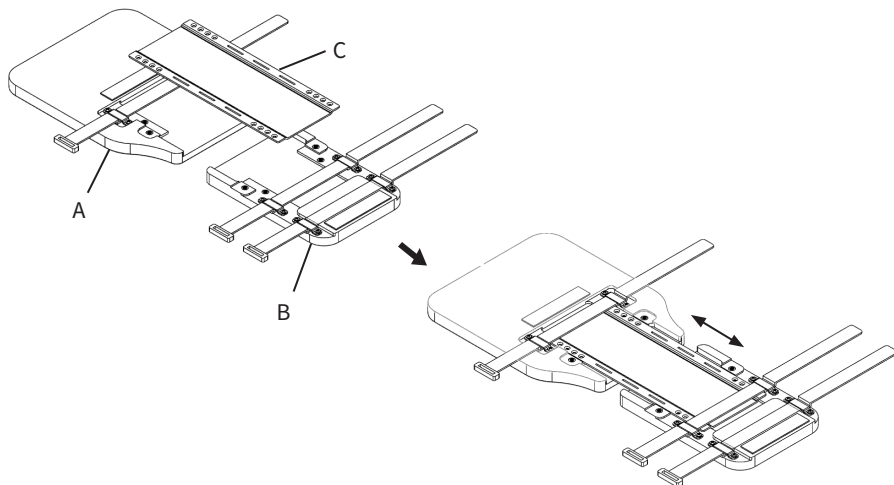


Phillips  
Screwdriver

### ASSEMBLY STEPS

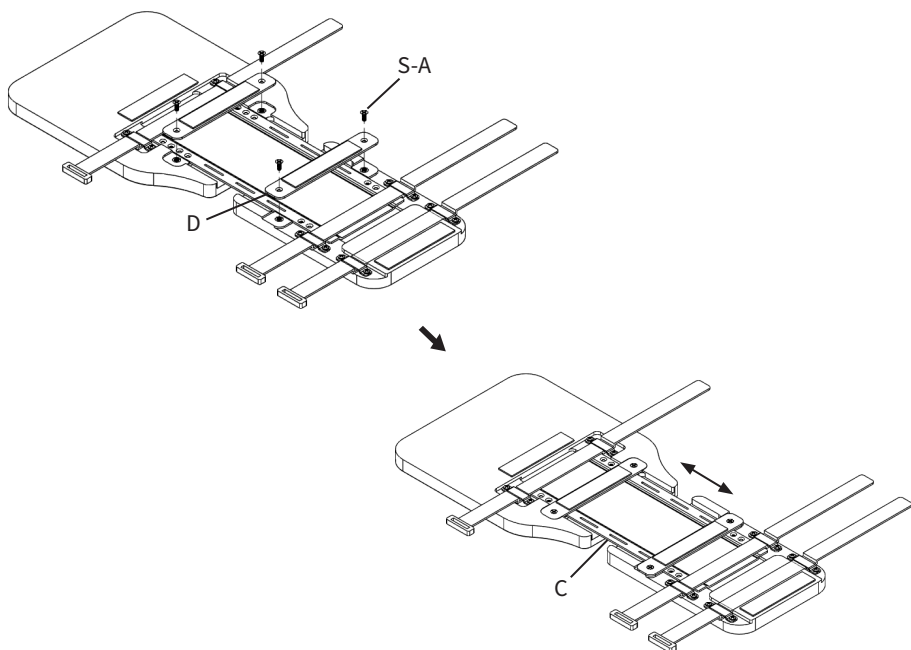
#### STEP 1

Loosen velcro straps on Mouse Pad and Arm Rest (**A,B**) keeping them in the same location. Place the Adjustment Plate (**C**) on the Mouse Pad and Arm Rest (**A,B**) making sure the plate is able to slide freely underneath the velcro straps.



## STEP 2

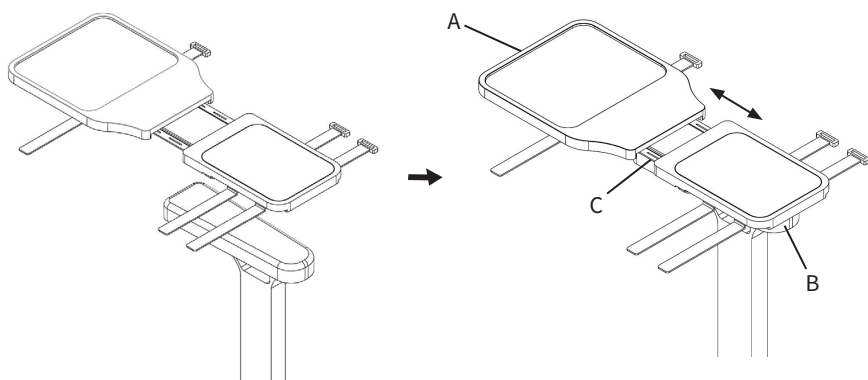
Loosely assemble the Support Plate Set (D) with the rubber padding facing outwards using M4x10 Screws (S-A). Make sure the Adjustment Plate (C) is still able to slide freely.



## STEP 3

Place the loose assembly on a chair arm rest while sitting in the chair. Make adjustments by sliding the Mouse Pad and Arm Rest (A,B) along the Adjustment Plate (C).

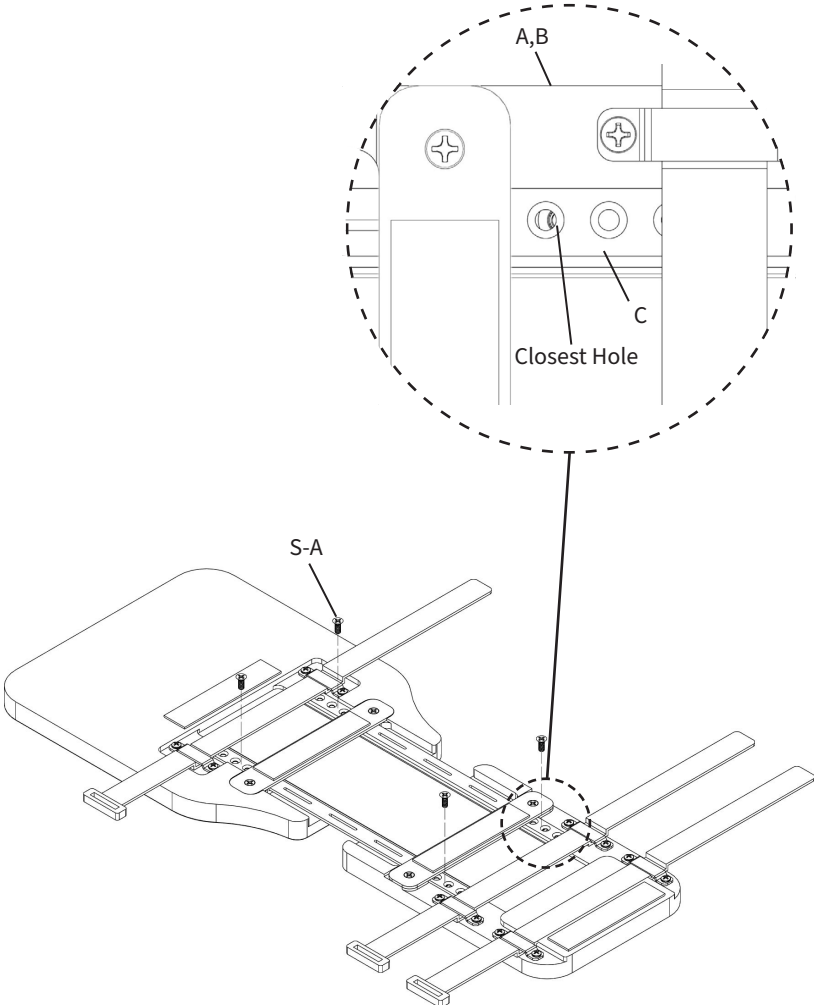
**NOTE:** Adjustments are based on your arm length and chair setup. Ensure you are sitting comfortably for final arm fitment.



# STEP 4

Flip the assembly over. Loosely assemble the Adjustment Plate (C) with the closest mounting holes to the Mouse Pad and Arm Rest (A,B) using M4x10 Screws (S-A).

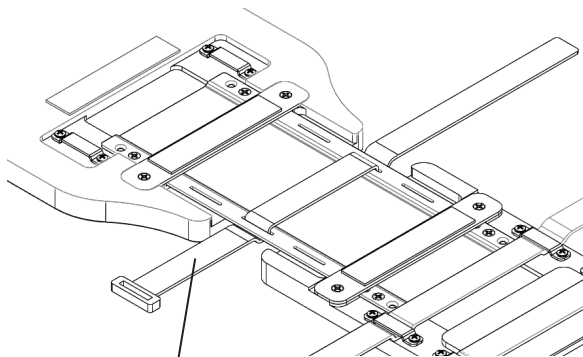
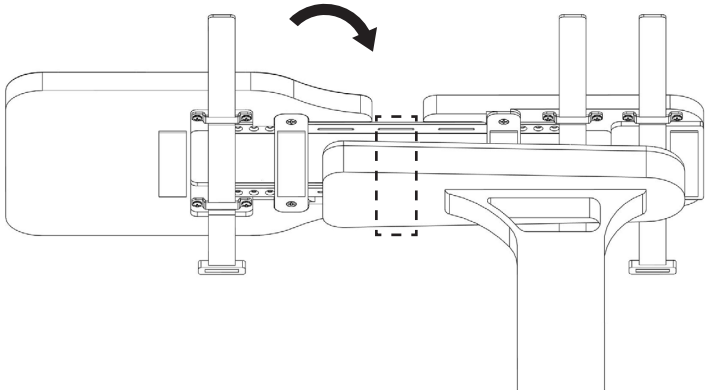
**NOTE:** If you do not see the mounting point slide the Adjustment Plate until it shows through one of the holes.



## STEP 5

Place the assembly back on the arm rest and check for what strap locations will work for your chairs armrest. If a strap is not being used where it is currently located, remove the strap and move it onto the Adjustment Plate (C) using the available slots.

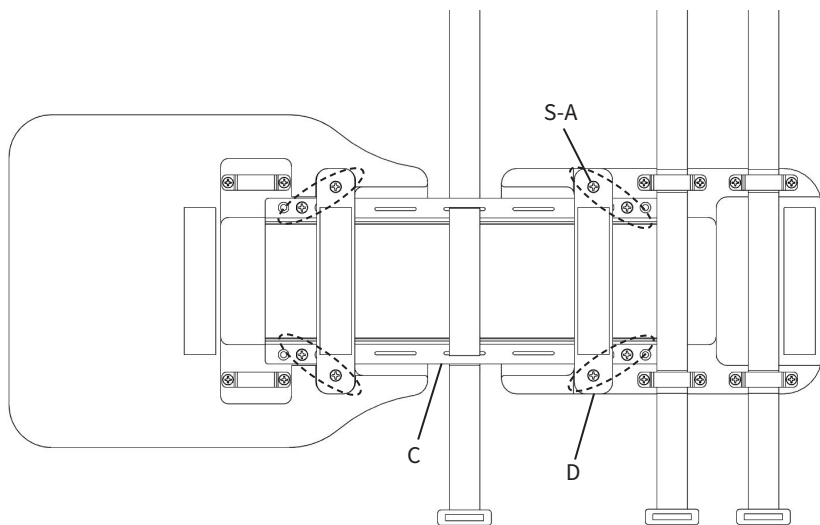
**NOTE:** The velcro side of the strap should be facing down towards the top of the mouse pad and arm rest when installed.



Non-textured side up  
(Velcro side down)

## STEP 6

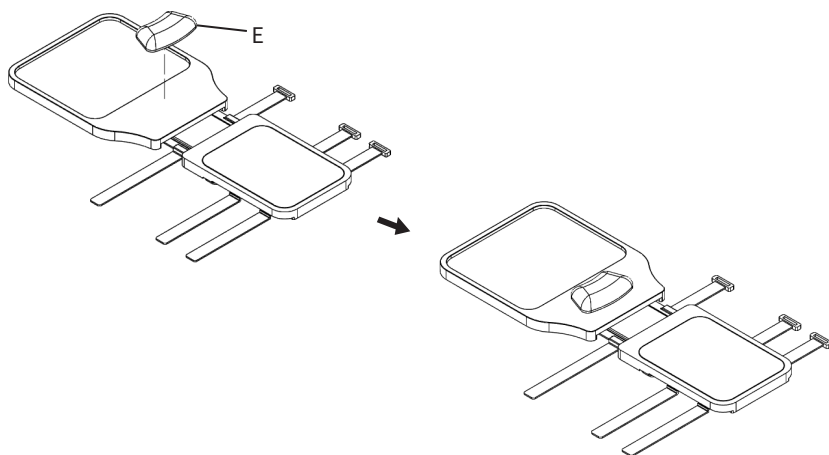
Go back and fully tighten all eight M4x10 Screws (**S-A**) previously inserted, securing the Adjustment Plate and Support Plate Set (**C,D**).



## STEP 7

If you want to use the wrist pad, remove protective film from adhesive on the bottom of the Wrist Pad (**E**) and place at desired location.

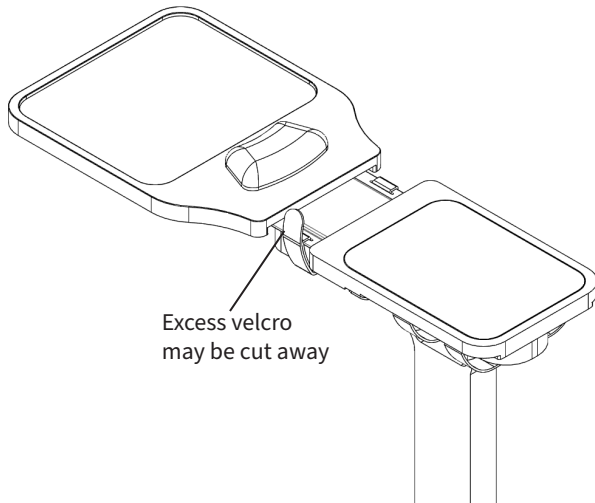
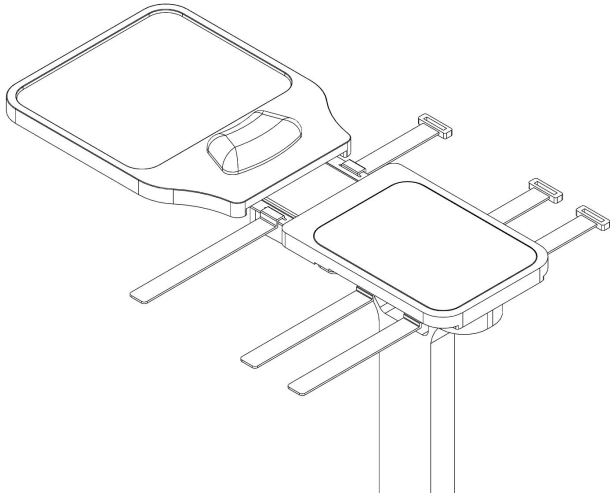
**NOTE:** For best results you can remove and reposition the wrist pad up to 3 times.



## STEP 8

Place the Mouse Pad and Arm Rest back onto your chair arm and secure it by tightening the velcro straps.

**NOTE:** The velcro straps may be cut after the product is fully secured to your armrest in the desired position.





Open **Monday - Friday 7:00am - 7:00pm** CST,  
our dedicated support team can offer immediate assistance with rapid response times. If any parts are received damaged or defective, please contact us. We are happy to replace parts to ensure you have a fully functioning product.

 [help@vivo-us.com](mailto:help@vivo-us.com)

**AVG. RESPONSE TIME** (*within office hrs*): **1HR 8M**

- 23% within < 15m
- 38% within < 30m
- 61% within < 1hr
- 83% within < 2hr
- 92% within < 3hr



[www.vivo-us.com](http://www.vivo-us.com)  
*Chat live with an agent!*

**AVG. RESOLUTION TIME** (*within office hrs*): **< 15 M**



309-278-5303

**AVG. RESOLUTION TIME** (*within office hrs*): **5M 4S**