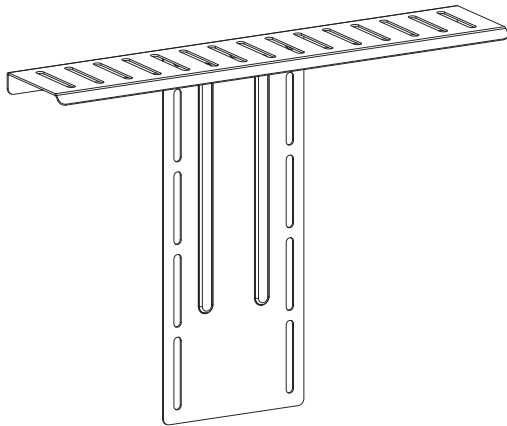




Livestream Accessory VESA Shelf

Instruction Manual



SKU: MOUNT-LS16A



Scan the QR code with your mobile device or follow the link for helpful videos and specifications related to this product.

<https://vivo-us.com/products/mount-ls16a>

GET IN TOUCH | Monday-Friday from 7:00am-7:00pm CST



help@vivo-us.com



www.vivo-us.com
Chat live with an agent!



309-278-5303

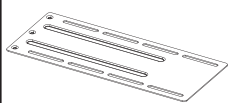
! WARNING!

If you do not understand these directions, or if you have any doubts about the safety of the installation, please call a qualified technician. Check carefully to make sure there are no missing or defective parts. Improper installation may cause damage or serious injury. Do not use this product for any purpose that is not explicitly specified in this manual. Do not exceed weight capacity. We cannot be liable for damage or injury caused by improper mounting, incorrect assembly or inappropriate use.

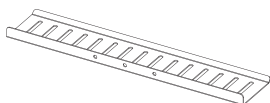
! WARNING: CHOKING HAZARD

SMALL PARTS - NOT FOR CHILDREN UNDER 3 YEARS. ADULT SUPERVISION IS REQUIRED.

PACKAGE CONTENTS



A (x1)
VESA Plate



B (x1)
Shelf



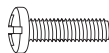
S-A (x3)
M5x6mm Screw



S-B (x2)
1/4"-20x5/16" Screw



M-A (x4)
M4x16mm Screw



M-B (x4)
M5x16mm Screw



M-C (x4)
M5 Washer



M-D (x4)
M5 Spacer

TOOLS NEEDED



DO NOT EXCEED WEIGHT CAPACITY.

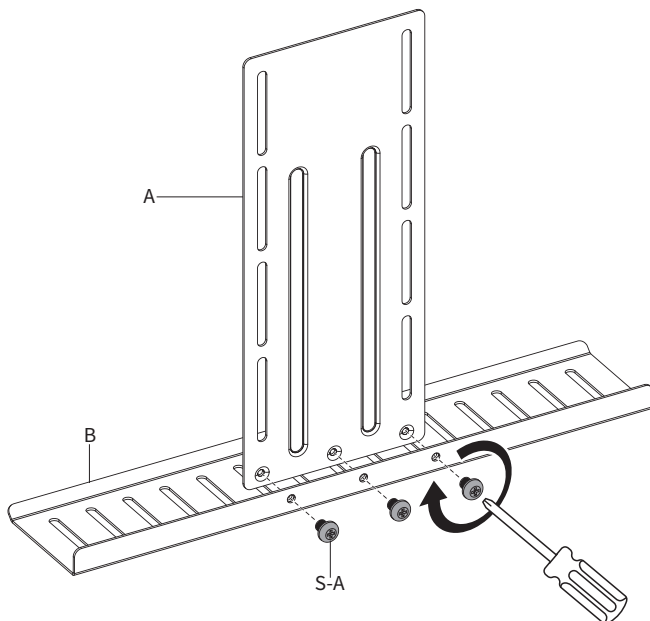
Failure to do so may result in serious injury.



ASSEMBLY STEPS

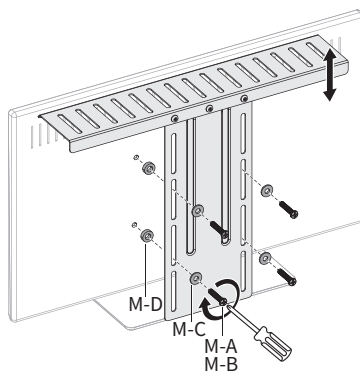
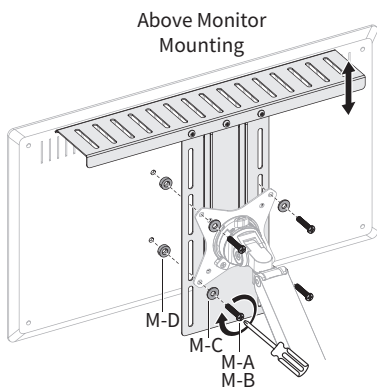
STEP 1

Assemble VESA Plate (**A**) to Shelf (**B**) using M5x6mm Screws (**S-A**) and a Phillips screwdriver.

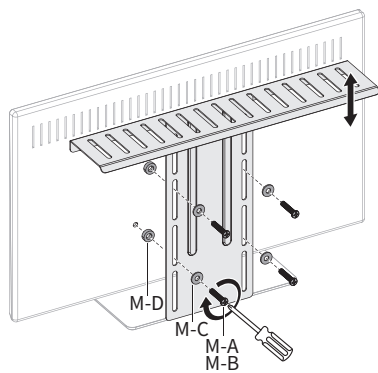
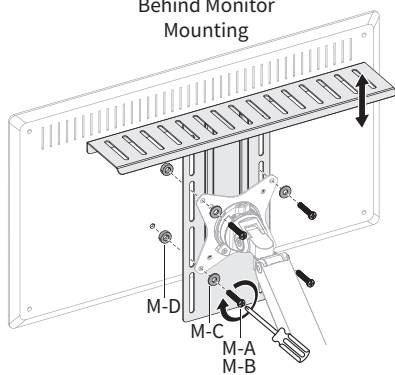


STEP 2

Mount the shelf assembly to the back of the monitor using Screws (**M-A** or **M-B**) with M5 Washers (**M-C**) and M5 Spacers (**M-D**).

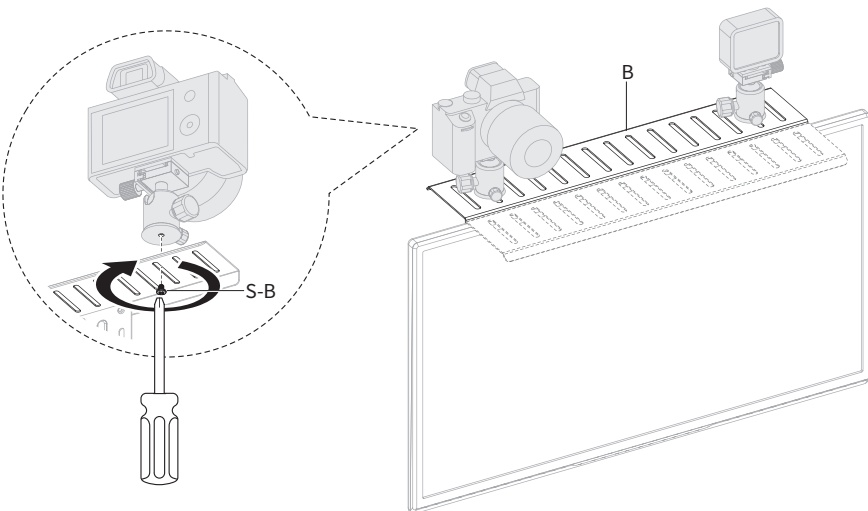


Behind Monitor Mounting



STEP 3

Secure your device to Shelf (**B**) using 1/4"-20x5/16" Screw (**S-B**) and a Phillips screwdriver.





Open **Monday - Friday 7:00am - 7:00pm** CST,
our dedicated support team can offer immediate assistance with rapid response times. If any parts are received damaged or defective, please contact us. We are happy to replace parts to ensure you have a fully functioning product.

 help@vivo-us.com

AVG. RESPONSE TIME (*within office hrs*): **1HR 8M**

- 23% within < 15m
- 38% within < 30m
- 61% within < 1hr
- 83% within < 2hr
- 92% within < 3hr



www.vivo-us.com
Chat live with an agent!

AVG. RESOLUTION TIME (*within office hrs*): **< 15 M**



309-278-5303

AVG. RESOLUTION TIME (*within office hrs*): **5M 4S**