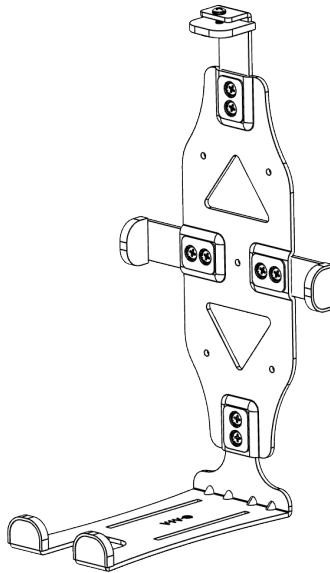


Wall Mount for Xbox Series X

Instruction Manual



SKU: MOUNT-XSXU1



Scan the QR code with your mobile device or follow the link for helpful videos and specifications related to this product.

<https://vivo-us.com/products/mount-xsxu1>

GET IN TOUCH | Monday-Friday from 7:00am-7:00pm CST



help@vivo-us.com



www.vivo-us.com
Chat live with an agent!



309-278-5303

WARNING!

If you do not understand these directions, or if you have any doubts about the safety of the installation, please call a qualified technician. Check carefully to make sure there are no missing or defective parts. Improper installation may cause damage or serious injury. Do not use this product for any purpose that is not explicitly specified in this manual. Do not exceed weight capacity. We cannot be liable for damage or injury caused by improper mounting, incorrect assembly or inappropriate use.

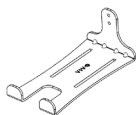
WARNING: CHOKING HAZARD

SMALL PARTS - NOT FOR CHILDREN UNDER 3 YEARS. ADULT SUPERVISION IS REQUIRED.

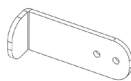
PACKAGE CONTENTS



A (x1)
Main Bracket



B (x1)
Lower Support



C (x2)
Side Support



D (x1)
Upper Support



E (x1)
Security Block



F (x4)
Spacer



G (x4)
Main Bracket pads



H (x2)
Lower Bracket pads



I (x1)
Security Block pad



J (x8)
M4x5mm



K (x1)
M4x8mm



L (x1)
M4x10mm

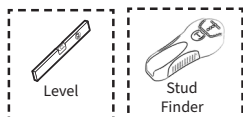
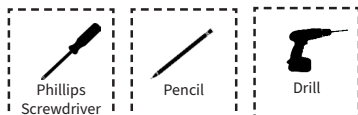


M (x5)
ST5x40mm



N (x5)
Anchor

TOOLS NEEDED



NOTE: SOME HARDWARE INCLUDED MAY NOT BE USED

DO NOT EXCEED WEIGHT CAPACITY.
Failure to do so may result in serious injury.

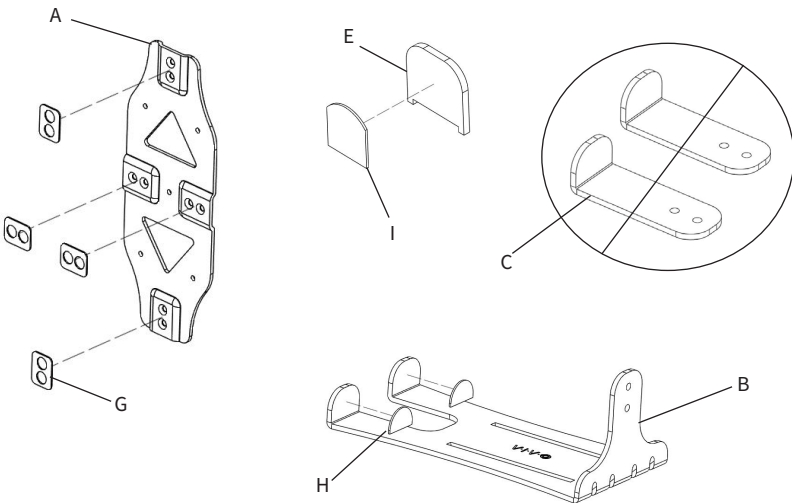


ASSEMBLY STEPS

STEP 1

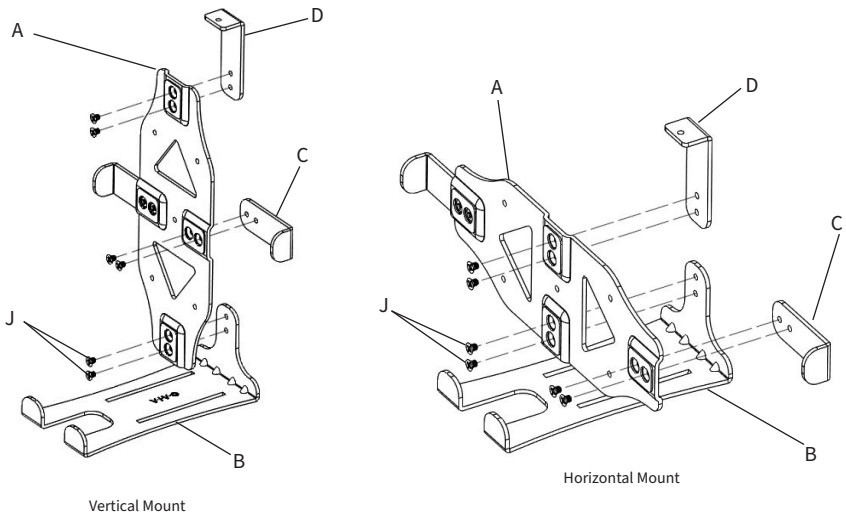
Remove the paper backing on the pads **(G,H,I)** and place them as shown below.

Note: Do not attach these pads to the Side Supports **(C)**.



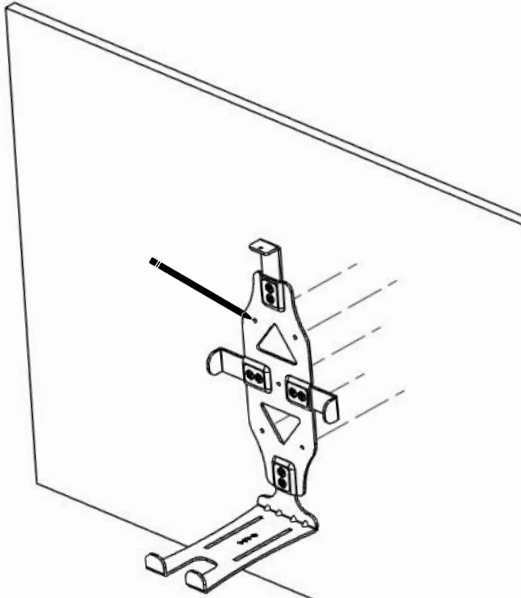
STEP 2

Assemble the lower support **(B)**, side supports **(C)** and upper support **(D)** to the main bracket **(A)** using M4x5mm bolts **(J)**. The supports fit behind the main bracket and face forward, with the bolts fit flush through the front of the main bracket. Tighten with a Phillips screwdriver.

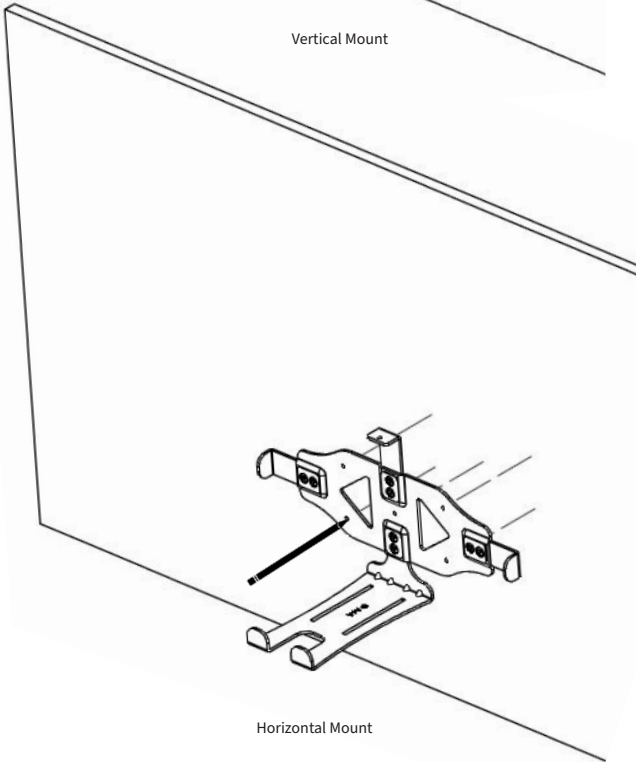


STEP 3

Place the assembled mount against the wall at the desired location and mark drilling locations with a pencil. Use of a level and a stud finder is recommended.



Vertical Mount

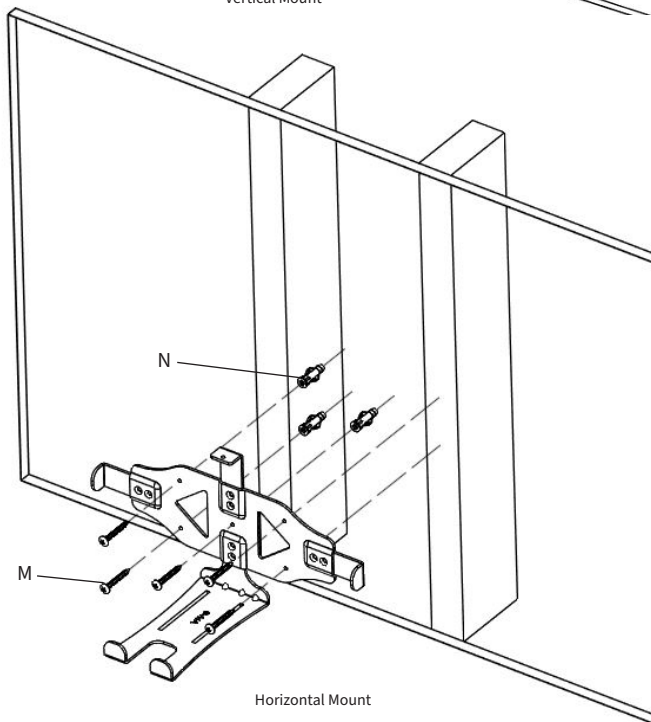
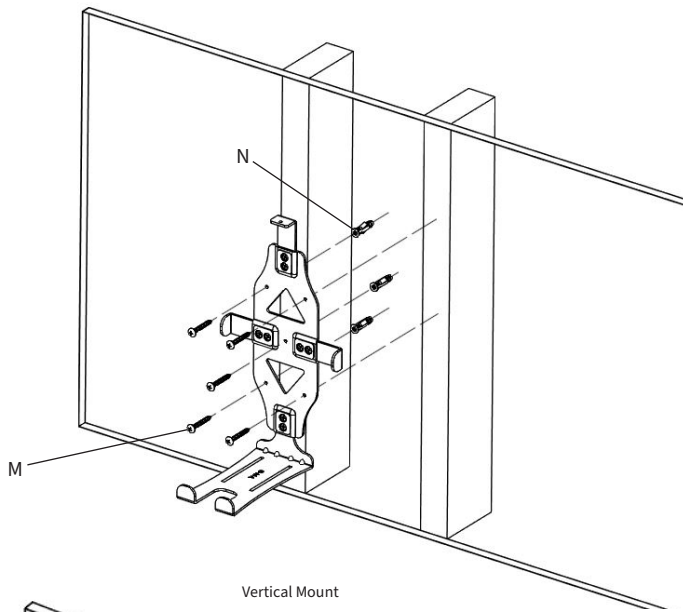


Horizontal Mount

STEP 4

OPTION A: Wood Stud: Drill 1.5" (38mm) deep holes using a 3/32" (2.5mm) drill bit. Follow drywall installation instructions for all remaining mounting holes.

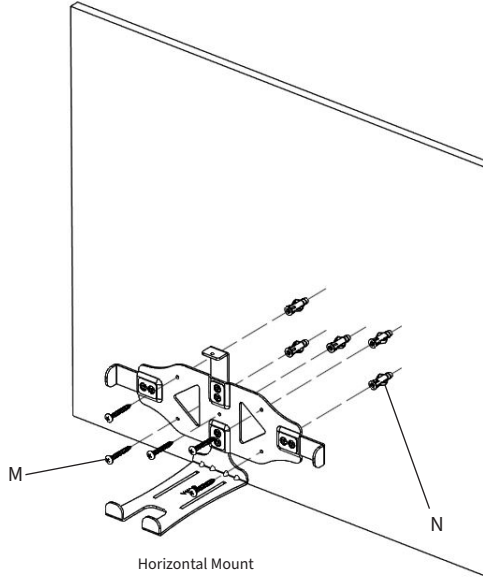
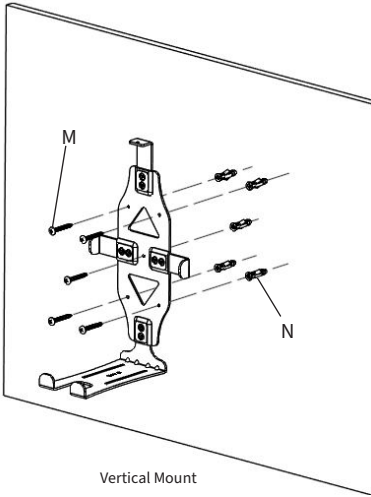
Install the mount to the wall using ST5x40mm screws (**M**) with a Phillips screwdriver.



STEP 4 (Continued)

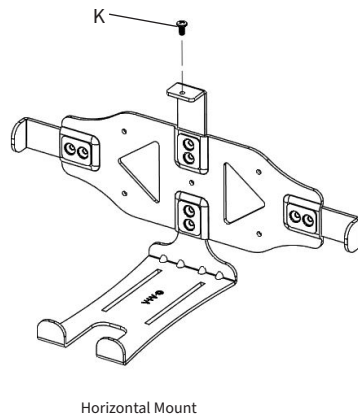
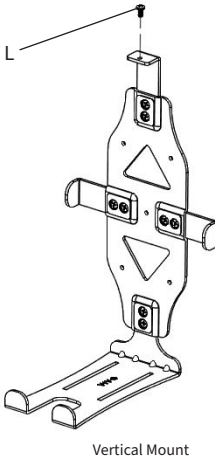
OPTION B: Drywall: Using a 5/16" (8mm) bit, drill fully through for drywall. Insert the anchors (**N**) into the holes.

Install the mount to the wall using ST5x40mm screws (**M**) with a Phillips screwdriver.



STEP 5

Pre-install lock screw (**K or L**) so the bottom of the screw is flush with the bottom of the Upper Support (**D**). Use screw M4x10mm (**L**) for vertical mounting and screw M4x8mm (**K**) for horizontal mounting as shown below.

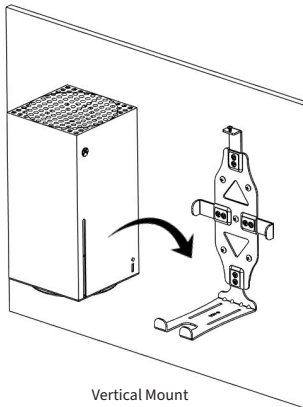


STEP 6

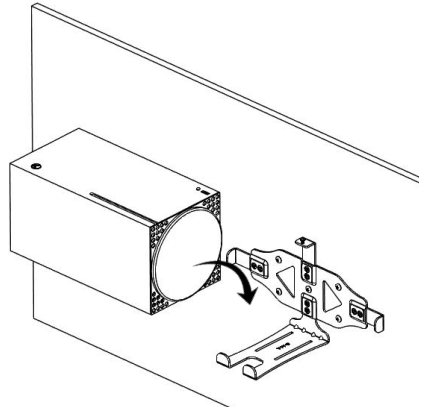
Vertical mounting: Place the console into the mount, making sure the console is facing to the left or right so as not to block the rear ports.

Horizontal mounting: Place the console into the mount, making sure the console is facing up so it does not block the rear ports.

NOTE: Be careful to not hit the Upper Support **(D)** when installing the Xbox. You may need to press down on the Lower Support **(B)** to tilt the Xbox in.



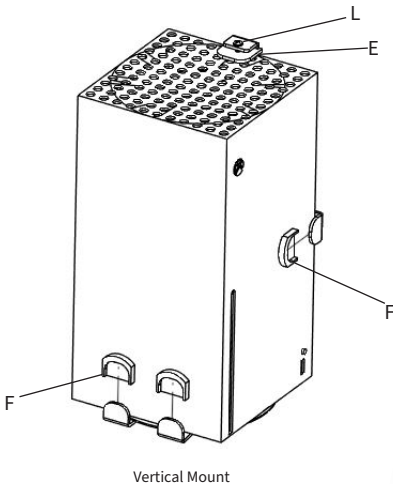
Vertical Mount



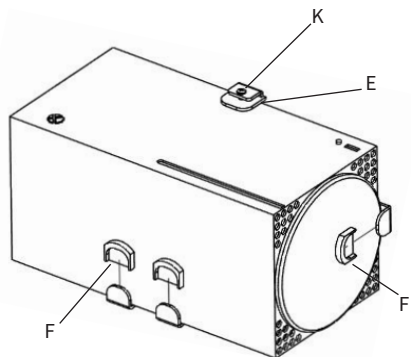
Horizontal Mount

STEP 7

Insert the spacers **(F)** between the console, lower support and side supports. Place the security block **(E)** between the Upper Support and the top of the console, making sure the hole in the block is aligned with the pre-installed lock screw **(K or L)**. Secure the console by tightening the lock screw.



Vertical Mount



Horizontal Mount



Love your new VIVO setup and want to share?
Tag us in your photo! @vivo_us

LAST UPDATED: 11/11/2020
REV2



Open Monday - Friday 7:00am - 7:00pm CST,

our dedicated support team can offer immediate assistance with rapid response times. If any parts are received damaged or defective, please contact us. We are happy to replace parts to ensure you have a fully functioning product.



help@vivo-us.com

AVG. RESPONSE TIME (within office hrs): 1HR 8M
- 23% within < 15m
- 38% within < 30m
- 61% within < 1hr
- 83% within < 2hr
- 92% within < 3hr



www.vivo-us.com
Chat live with an agent!

AVG. RESOLUTION TIME (within office hrs): < 15 M



309-278-5303

AVG. RESOLUTION TIME (within office hrs): 5M 4S