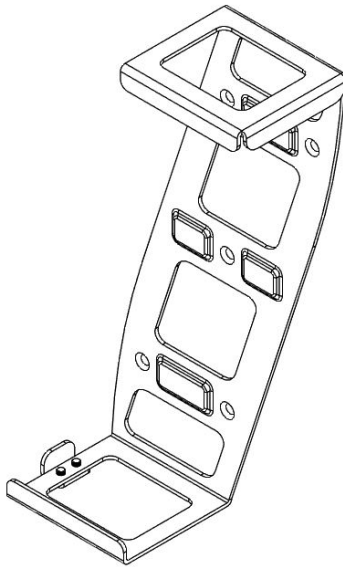




Wall and Under Desk Mount for Xbox Series S Instruction Manual



SKU: MOUNT-XSSU1



Scan the QR code with your mobile device or follow the link for helpful videos and specifications related to this product.

<https://vivo-us.com/products/mount-xssu1>

GET IN TOUCH | Monday-Friday from 7:00am-7:00pm CST



help@vivo-us.com



www.vivo-us.com
Chat live with an agent!



309-278-5303

WARNING!

If you do not understand these directions, or if you have any doubts about the safety of the installation, please call a qualified technician. Check carefully to make sure there are no missing or defective parts. Improper installation may cause damage or serious injury. Do not use this product for any purpose that is not explicitly specified in this manual. Do not exceed weight capacity. We cannot be liable for damage or injury caused by improper mounting, incorrect assembly or inappropriate use.

WARNING: CHOKING HAZARD

SMALL PARTS - NOT FOR CHILDREN UNDER 3 YEARS. ADULT SUPERVISION IS REQUIRED.

PACKAGE CONTENTS



A (x1)
Mount



B (x1)
Locking
Bracket



C (x2)
Silver M4x5



D (x2)
Black M4x5



E (x5)
ST5x20mm



F (x5)
ST5x30mm



G (x5)
Drywall Anchor

TOOLS NEEDED

NOTE: SOME HARDWARE MAY NOT BE USED



Drill



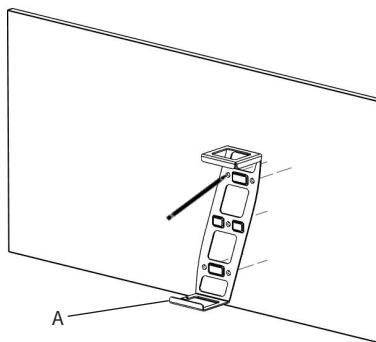
Phillips
Screwdriver

ASSEMBLY STEPS

STEP 1

Place Mount **(A)** against the wall at the desired location and mark drilling locations with a pencil. Use of a level and a stud finder is recommended.

NOTE: Mount may be orientated vertically or horizontally. If mounting horizontally, mounting holes for Locking Brackets **(B)** should be facing up. Refer to step 3 for hole locations.

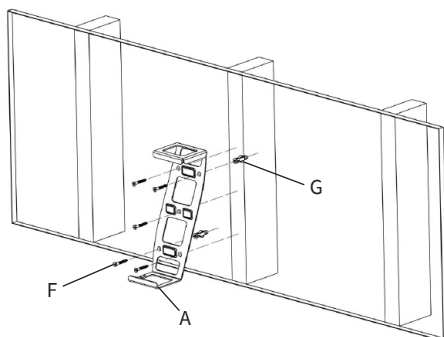


STEP 2

OPTION A: Wood Stud Installation

Drill 1.5" (38mm) deep holes using a 3/32" (2.5mm) drill bit. Follow drywall installation instructions for all remaining mounting holes.

Install the Mount **(A)** using ST5x30mm screws **(F)** and Drywall Anchors **(G)**.

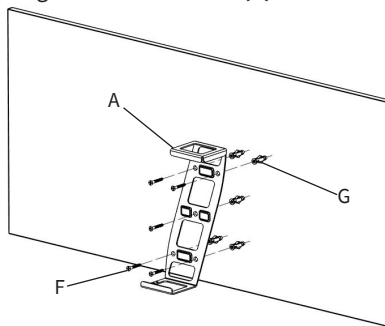


STEP 2 (Continued)

OPTION B: Drywall Installation

Using a 5/16" (8mm) drill bit, drill fully through the drywall. Insert the anchors (**G**) in the holes.

Install the Mount (**A**) to the wall using ST5x30mm screws (**F**) with a Phillips screwdriver.

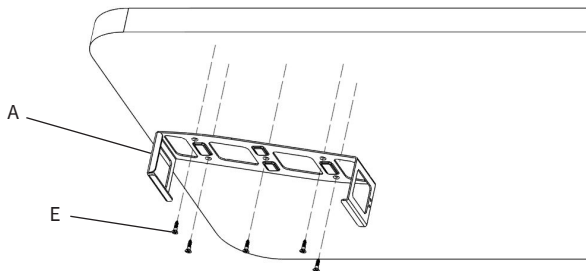


STEP 2 (Continued)

OPTION C: Under Desk Installation

Drill 3/8" (10mm) deep holes using a 1/8" (3mm) drill bit.

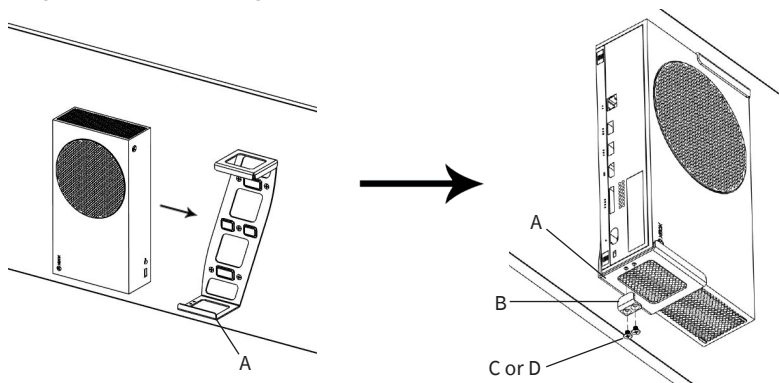
Install the Mount (**A**) to the desk using the ST5x20mm screws (**E**) with a Phillips screwdriver.



STEP 3

Install the Xbox into the Mount (**A**) with the circular black vent facing away from the mounted surface.

Install the Locking bracket (**B**) onto the mount (**A**) using the M4x5 bolts (**C or D**). The locking bracket should be against the back side of the Xbox if installed correctly.





Open **Monday - Friday 7:00am - 7:00pm CST**, our dedicated support team can offer immediate assistance with rapid response times. If any parts are received damaged or defective, please contact us. We are happy to replace parts to ensure you have a fully functioning product.



309-278-5303

AVG. RESOLUTION TIME (within office hrs): **5M 4S**



www.vivo-us.com
Chat live with an agent!

AVG. RESOLUTION TIME (within office hrs): **< 15 M**



help@vivo-us.com

AVG. RESPONSE TIME (within office hrs): **1HR 8M**

- 23% within < 15m
- 38% within < 30m
- 61% within < 1hr
- 83% within < 2hr
- 92% within < 3hr