

Water Cooler Truck Mount

SKU: MOUNT-WCT1

Instruction Manual

Assembly Video & Product Info
www.vivo-us.com/products/mount-wct1



! CAUTION! !

If you do not understand these directions, or if you have any doubts about the safety of the installation, please contact our product support team at 309-278-5303 or help@vivo-us.com for further assistance. Check carefully to make sure there are no missing or defective parts. Improper installation may cause damage or serious injury. Do not use this product for any purpose that is not explicitly specified in this manual. Do not exceed weight capacity. We cannot be liable for damage or injury caused by improper mounting, incorrect assembly or inappropriate use.



WARNING: CHOKING HAZARD

SMALL PARTS - NOT FOR CHILDREN UNDER 3 YEARS. ADULT SUPERVISION IS REQUIRED.



DO NOT EXCEED WEIGHT CAPACITY

FAILURE TO DO SO MAY RESULT IN SERIOUS INJURY.

We're Here for You

Open **Monday - Friday 7:00am - 7:00pm** CST,
our dedicated support team can offer immediate assistance with rapid response times. If any parts are received damaged or defective, please contact us. We are happy to replace parts to ensure you have a fully functioning product.



Give us a Call:
309-278-5303

AVG. RESOLUTION TIME (*within office hrs*): **5M 4S**



Chat Us:
www.vivo-us.com

AVG. RESOLUTION TIME (*within office hrs*): **< 15 M**



Email Us:
help@vivo-us.com

AVG. RESPONSE TIME (*within office hrs*): **1HR 8M**

- 23% within < 15m
- 38% within < 30m
- 61% within < 1hr
- 83% within < 2hr
- 92% within < 3hr

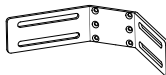
Package Contents



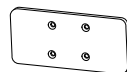
A (x1)
Main Bracket



B (x2)
Strap



C (x1)
Upper Bracket



D (x1)
Lower Bracket

Included Hardware



S-A (x10)
M6x10mm Flathead
Screw



S-B (x3)
M10 Washer



S-C (x3)
M10 Nut

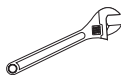


S-D (x3)
M10x30mm Screw



S-E (x3)
ST10x30mm Screw

Tools Needed:



**Adjustable
Wrench**



**4mm Allen
Wrench**

Weight Capacity:

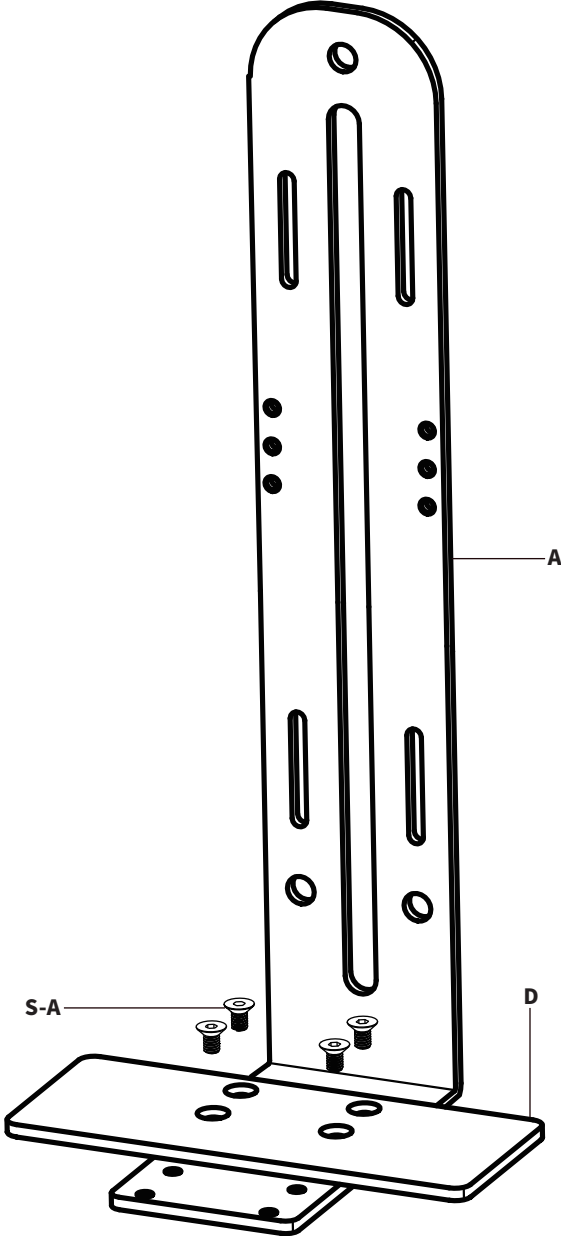


**44lbs
(20kg)**

ASSEMBLY STEPS

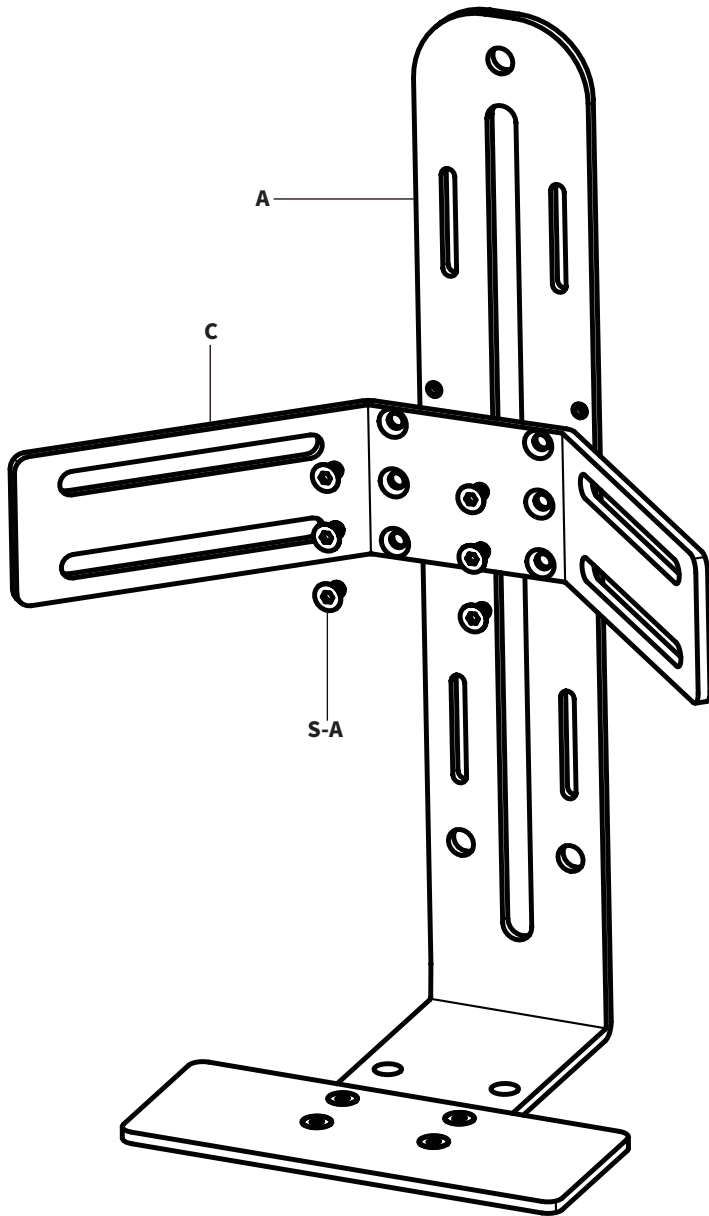
STEP 1

Connect the Lower Bracket (D) to the Main Bracket (A) using the M6x10mm Flathead Screws (S-A). Tighten screws using a 4mm Allen Wrench.



STEP 2

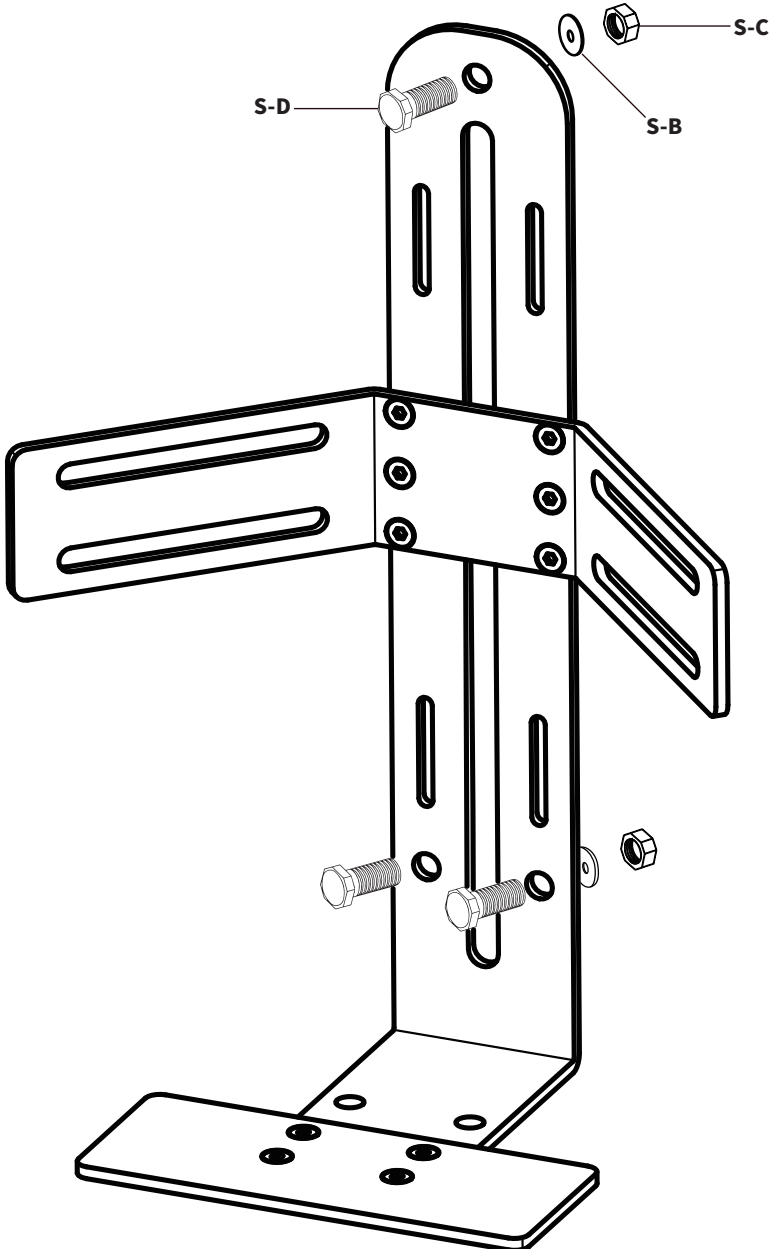
Connect the Upper Bracket (**C**) to the Main Bracket (**A**) using the M6x10mm Flathead Screws (**S-A**). Tighten screws using a 4mm Allen Wrench.



STEP 3

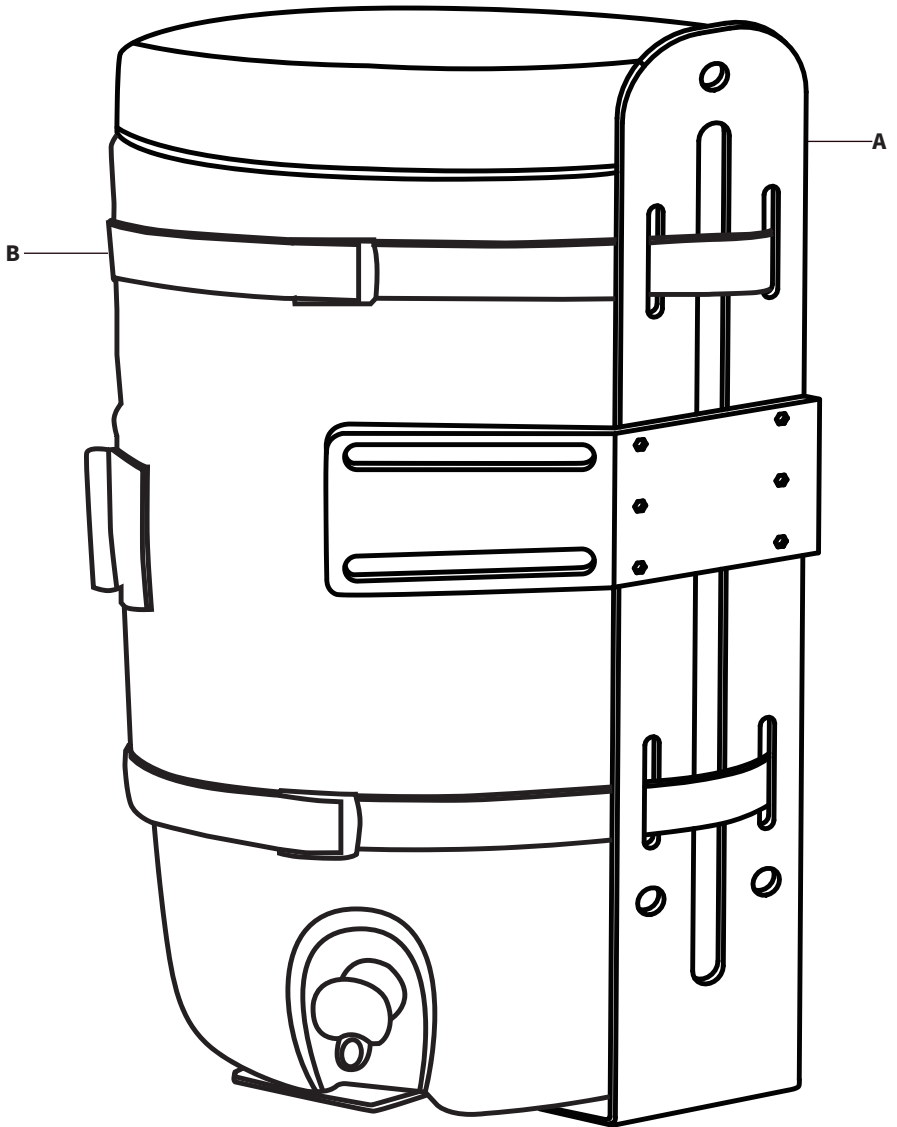
Metal Rail/Plate Installation: Hold the bracket assembly up to your desired mounting location and mark hole using a marker. Drill through holes using a 7/16" (11mm) drill bit. Attach the assembly using M10x30mm Screws (**S-D**), M10 Washers (**S-B**), and M10 Nuts (**S-C**). Tighten using a 17mm wrench.

Wood Board Installation: Hold the bracket assembly up to your desired mounting location and mark holes using a marker. Drill 1" (25mm) deep holes using a 9/32" (7mm) bit. Attach the assembly using ST10x30mm Screws (**S-E**) and M10 Washers (**S-B**). Tighten using a 17mm wrench.



STEP 4

Thread the Straps (**B**) through the Main Bracket (**A**) and secure up to 5 gallon water jugs.





Need Help? Get In Touch

Monday-Friday from 7:00am-7:00pm CST



help@vivo-us.com



www.vivo-us.com

Chat live with an agent!



309-278-5303



VIVO-us @vivo_us