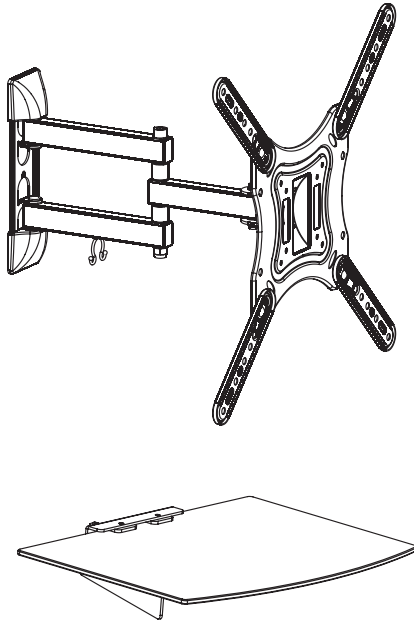




---

## TV Wall Mount and Entertainment Shelf Instruction Manual



**SKU: MOUNT-VWSF1,W**



Scan the QR code with your mobile device or follow the link for helpful videos and specifications related to this product.

<https://vivo-us.com/products/mount-vwsf1>

---

GET IN TOUCH | Monday-Friday from 7:00am-7:00pm CST



help@vivo-us.com



www.vivo-us.com  
*Chat live with an agent!*

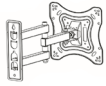


309-278-5303

## ⚠ WARNING!

If you do not understand these directions, or if you have any doubts about the safety of the installation, please call a qualified technician. Check carefully to make sure there are no missing or defective parts. Improper installation may cause damage or serious injury. Do not use this product for any purpose that is not explicitly specified in this manual. Do not exceed weight capacity. We cannot be liable for damage or injury caused by improper mounting, incorrect assembly or inappropriate use.

## PACKAGE CONTENTS



**A** (x1)  
Mount



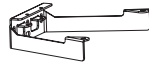
**B** (x2)  
Plastic Cover



**C** (x1)  
Cable Clip



**D** (x4)  
VESA Adapter



**E** (x1)  
Shelf



**F** (x1)  
Shelf



**G** (x2)  
Shelf Clip



**H** (x2)  
Suction Cup



**S-A** (x4)  
M6x15



**S-B** (x2)  
M5x8mm  
Screw



**S-C** (x4)  
M6 Nut



**M-A** (x4)  
M6x14mm  
Screw



**M-B** (x4)  
M8x20mm  
Screw



**M-C** (x4)  
Spacer



**W-A** (x3)  
ST6x55mm  
Bolt



**W-B** (x3)  
Anchor



**W-C** (x1)  
M6 Washer



**W-A2** (x3)  
ST6x55mm  
Bolt



**W-B2** (x3)  
Anchor



**W-C2** (x3)  
M6 Washer

**NOTE:** NOT ALL HARDWARE INCLUDED WILL BE USED

## ⚠ CAUTION!

DO NOT INSTALL INTO DRYWALL ALONE. VERIFY YOUR WALL CONSTRUCTION. USE WOOD STUDS TO MOUNT. We include mounting for brick and concrete walls. If unsure, please contact us at vivo-us.com, email at help@vivo-us.com, or call us at 309-278-5303.

## TOOLS NEEDED



Drill



Phillips  
Screwdriver

DO NOT EXCEED WEIGHT CAPACITY.  
Failure to do so may result in serious injury.



TV Mount



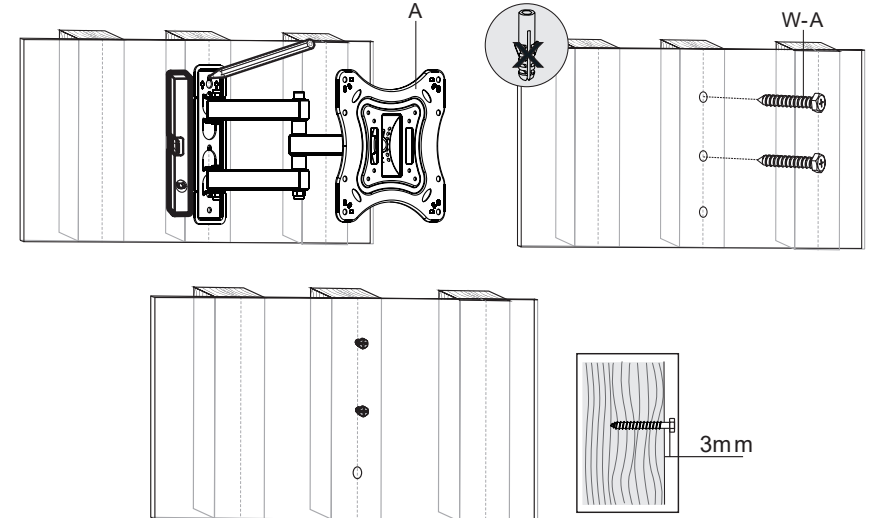
Shelf

## TV MOUNT ASSEMBLY STEPS

### STEP 1

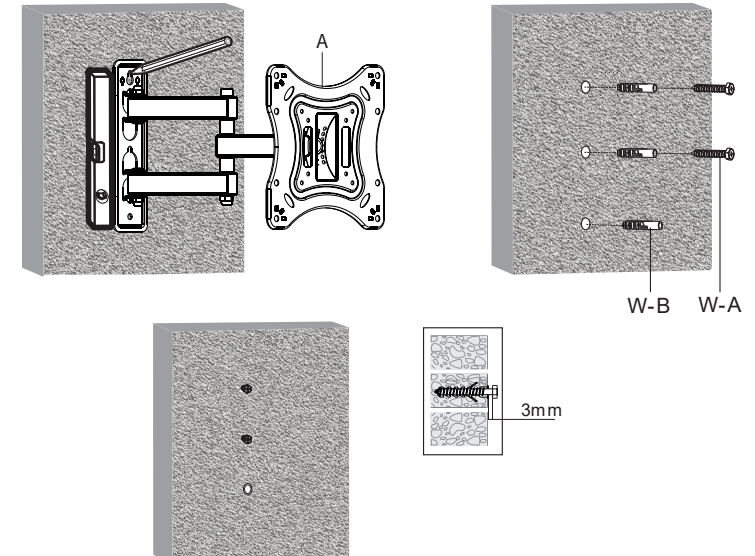
#### OPTION A: Wood Wall

Use Mount **(A)** to mark mounting holes on wall where stud is located. Using a 3/16" bit, drill approximately 2.2" into marked locations. Screw two ST6x55mm Bolts **(W-A)** into top holes, making sure to leave 3mm of threads exposed.



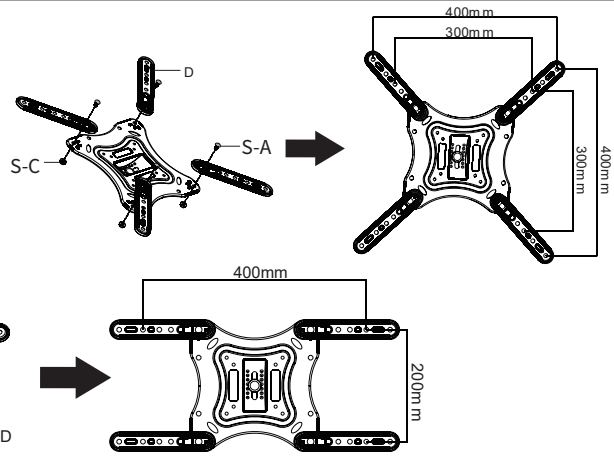
#### OPTION B: Concrete/Brick Wall

Use Mount **(A)** to mark mounting holes on wall. Using a 3/8" bit, drill approximately 2.4" into marked locations. Insert Wall Anchors **(W-B)** and screw two ST6x55mm Bolts **(W-A)** into top holes, making sure to leave 3mm of threads exposed.



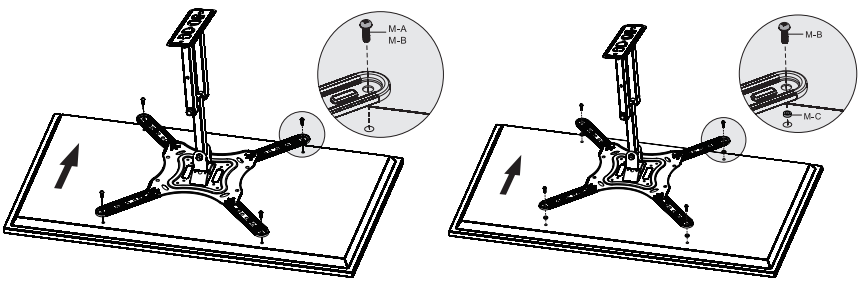
**STEP 2**

Mount VESA Adapters (D) to VESA Plate on Mount (A) using M6x15mm Screws (S-A) and M6 Nuts (S-C) in the appropriate configuration to match your television mounting holes.



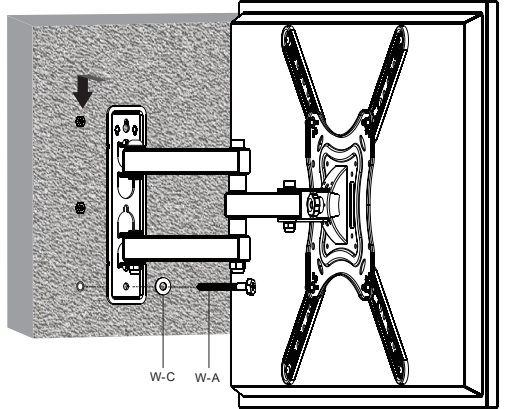
**STEP 3**

After placing TV on a flat surface, attach VESA plate to back using Screws (M-A, M-B). Make sure top of mount is facing top of TV. If screws are too long, Spacers (M-C) may be required as shown in diagram.



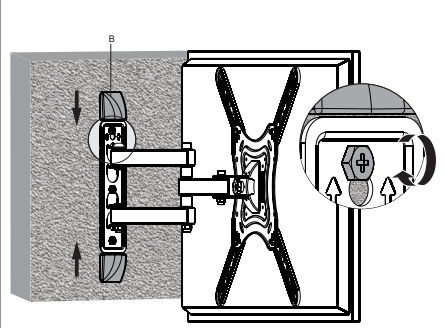
**STEP 4**

Slide Mount (A) over two Screws (W-A) already inserted into wall and insert third ST6x55mm Screw (W-A) and M6 Washer (W-C) into bottom hole. Tighten using Phillips screwdriver.



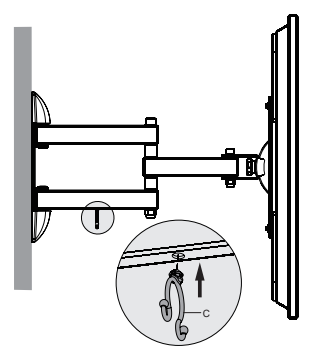
**STEP 5**

Insert Plastic Covers (B) as shown in diagram.



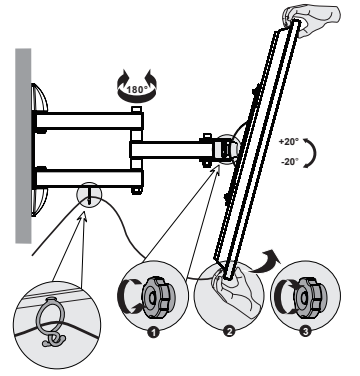
**STEP 6**

Attach Cable Clip (C) to bottom of Mount (A).



**STEP 7**

Run cables through Cable Clip (C) and adjust monitor to desired angle as shown in diagram.

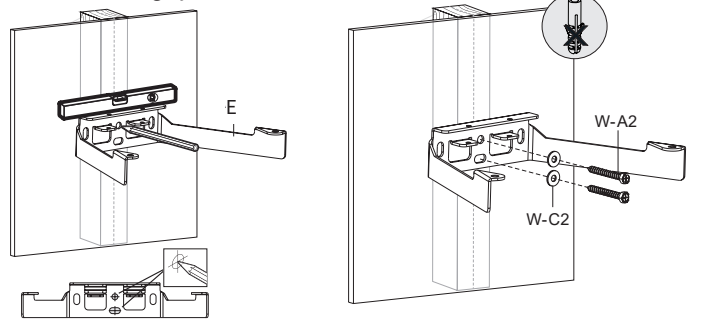


**SHELF ASSEMBLY STEPS**

**STEP 1**

**OPTION A: Wood Wall**

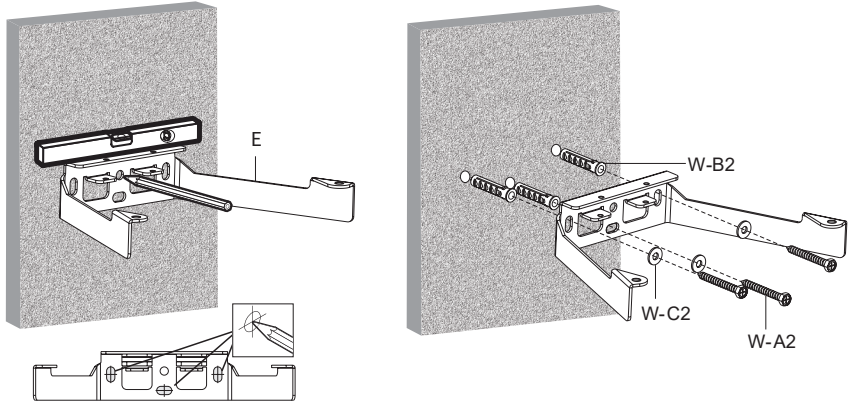
Using the Shelf Bracket (E) as a guide, mark the mounting holes on the wall where a stud is located. With a 4mm bit, drill approximately 2" into wall. Mount the Shelf Bracket (E) onto wall using ST6x55mm Bolts (W-A2) and M6 Washers (W-C2). Ensure the mounting screws are anchored into the center of the studs. The use of a stud finder is highly recommended.



### STEP 1 (Continued)

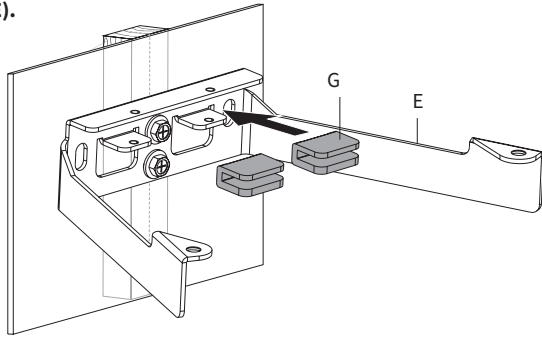
#### OPTION B: Concrete/Brick Wall

Using Shelf Bracket (E) as a guide, mark mounting holes on wall. With a 5/16" bit, drill approximately 2.2" into wall. Insert Concrete Anchors (W-B2), ST6x55mm Bolts (W-A2) and M6 Washers (W-C2) to mount the Shelf Bracket (E) onto wall as shown in diagram.



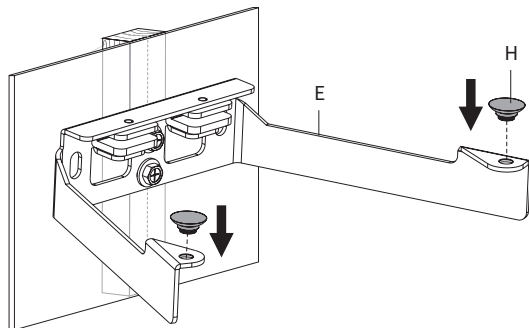
### STEP 2

Insert Shelf Clips (G) into Shelf Bracket (E).



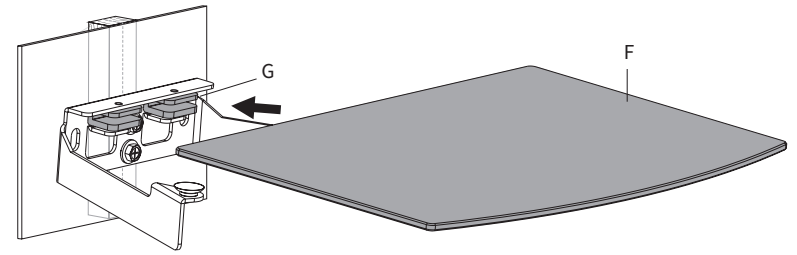
### STEP 3

Attach Suction Cups (H) to Shelf Bracket (E) as shown in diagram.



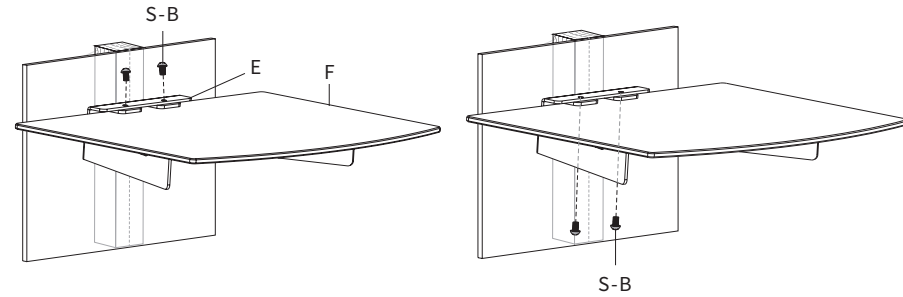
### STEP 4

Slide Shelf (F) into Clips (G).



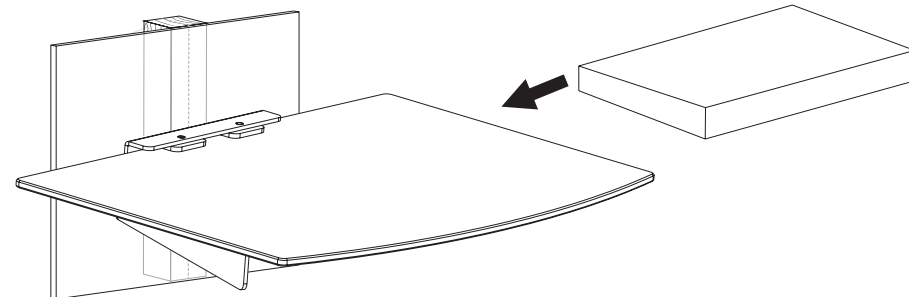
### STEP 5

Use M5x8mm Screws (S-B) into Shelf Bracket (E) to secure the Shelf (F) into place using a Phillips screwdriver as shown in the diagram.



### STEP 6

Place desired objects on shelf.





Love your new VIVO setup and want to share?  
Tag us in your photo! **@vivo\_us**

LAST UPDATED: 03/01/2023  
REV1



Open **Monday - Friday 7:00am - 7:00pm** CST,  
our dedicated support team can offer immediate assistance with rapid response times. If any parts are received damaged or defective, please contact us. We are happy to replace parts to ensure you have a fully functioning product.



309-278-5303

**AVG. RESOLUTION TIME** (*within office hrs*): **5M 4S**



[www.vivo-us.com](http://www.vivo-us.com)  
*Chat live with an agent!*

**AVG. RESOLUTION TIME** (*within office hrs*): **< 15 M**



[help@vivo-us.com](mailto:help@vivo-us.com)

**AVG. RESPONSE TIME** (*within office hrs*): **1HR 8M**

- 23% within < 15m
- 38% within < 30m
- 61% within < 1hr
- 83% within < 2hr
- 92% within < 3hr

FOR MORE VIVO PRODUCTS, CHECK OUT OUR WEBSITE AT: [www.vivo-us.com](http://www.vivo-us.com)