

RV TV Mount with Articulating Arm

SKU: MOUNT-VWRV3
Instruction Manual

Assembly Video & Product Info
www.vivo-us.com/products/mount-vwrv3



! CAUTION! !

If you do not understand these directions, or if you have any doubts about the safety of the installation, please contact our product support team at 309-278-5303 or help@vivo-us.com for further assistance. Check carefully to make sure there are no missing or defective parts. Improper installation may cause damage or serious injury. Do not use this product for any purpose that is not explicitly specified in this manual. Do not exceed weight capacity. We cannot be liable for damage or injury caused by improper mounting, incorrect assembly or inappropriate use.



WARNING: CHOKING HAZARD

SMALL PARTS - NOT FOR CHILDREN UNDER 3 YEARS. ADULT SUPERVISION IS REQUIRED.



DO NOT EXCEED WEIGHT CAPACITY

FAILURE TO DO SO MAY RESULT IN SERIOUS INJURY.

We're Here for You

Open **Monday - Friday 7:00am - 7:00pm** CST, our dedicated support team can offer immediate assistance with rapid response times. If any parts are received damaged or defective, please contact us. We are happy to replace parts to ensure you have a fully functioning product.



Give us a Call:
309-278-5303

AVG. RESOLUTION TIME (*within office hrs*): **5M 4S**



Chat Us:
www.vivo-us.com

AVG. RESOLUTION TIME (*within office hrs*): **< 15 M**

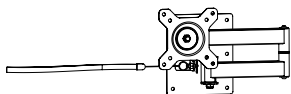


Email Us:
help@vivo-us.com

AVG. RESPONSE TIME (*within office hrs*): **1HR 8M**

- 23% within < 15m
- 38% within < 30m
- 61% within < 1hr
- 83% within < 2hr
- 92% within < 3hr

Package Contents



A (x1)
Mount



B (x2)
Adapter
Bracket



C (x1)
Quick
Release Plate



D (x1)
VESA Plate

Included Hardware & Tools



S-A (x8)
M6x8mm
Allen Screw



M-A (x4)
M4x12mm
Screw



M-B (x4)
M5x12mm
Screw



M-C (x4)
M6x12mm
Phillips Screw



M-D (x4)
M6 Washer



W-A (x6)
ST6x30mm
Screw



T-A (x1)
4mm Allen
Wrench



T-B (x2)
5mm Allen
Wrench



T-C (x1)
6mm Allen
Wrench

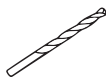
Tools Needed:



**Phillips
Screwdriver**



Drill



**1/8" (3mm)
Drill Bit**



**Adjustable
Wrench**

Weight Capacity:

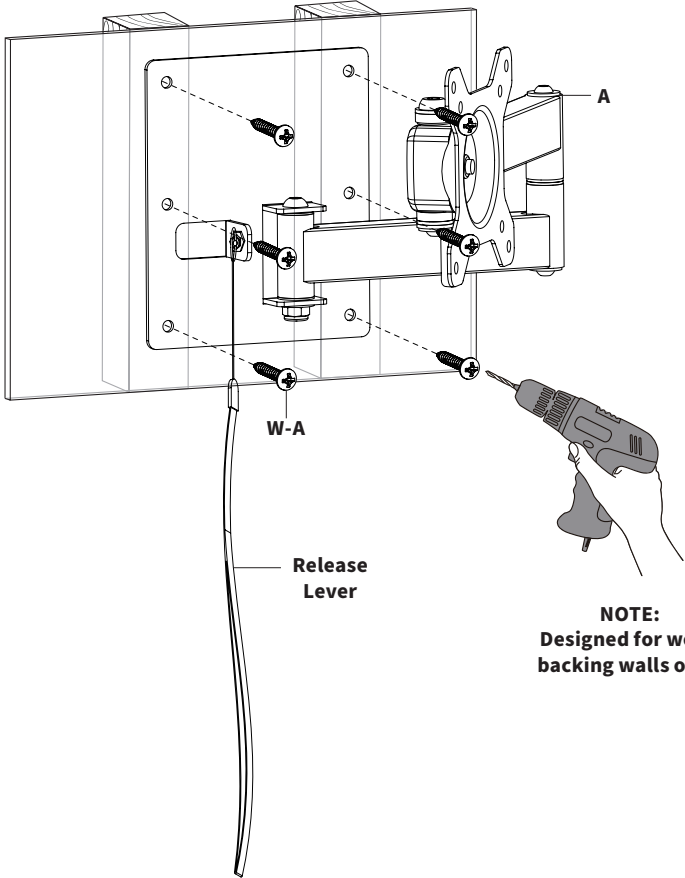


ASSEMBLY STEPS

STEP 1

Hold Mount **(A)** up to your wall and use a level to find desired mounting location. Use a pencil mark hole locations using a pencil. To access the holes behind the Mount Arm, pull the **Release Lever** and move Arm. Mark mounting holes and remove mount from wall. Drill 1.2" (30mm) deep holes using a 1/8" (3mm) drill bit.

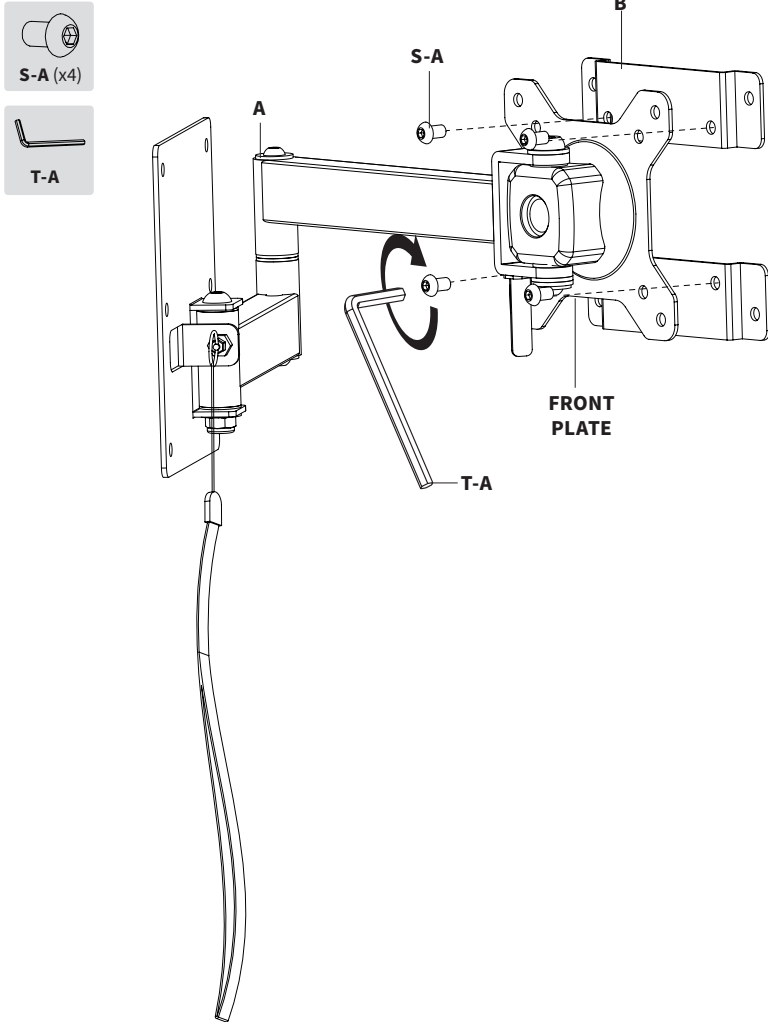
Install Mount **(A)** onto the wall using ST6x30mm Screws **(W-A)** and a drill with a Phillips end bit or a Phillips screwdriver.



NOTE:
Designed for wood
backing walls only.

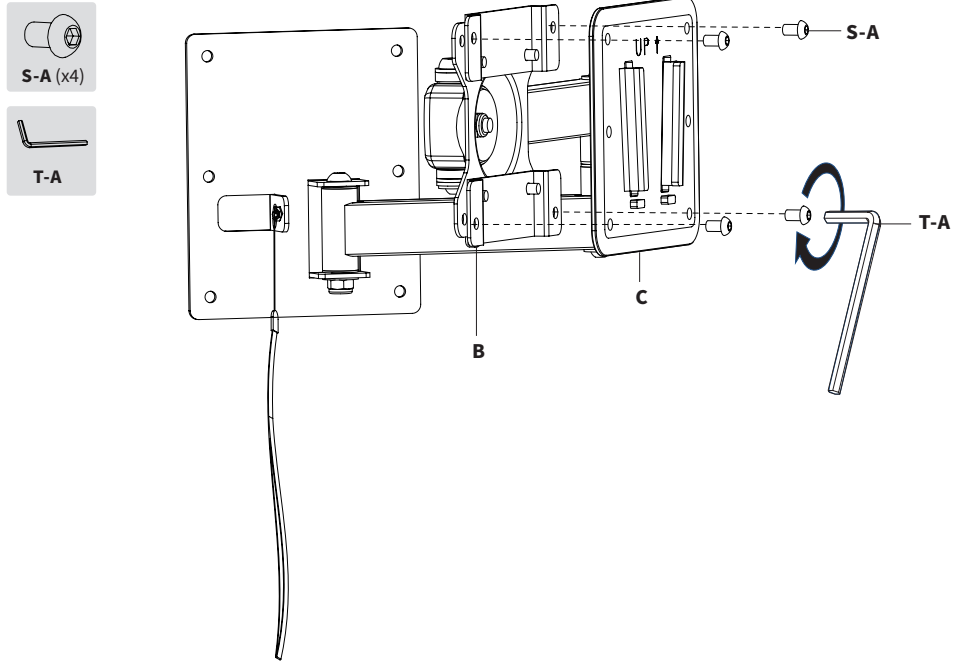
STEP 2

Connect Adapter Brackets (**B**) to the **Front Plate** on Mount (**A**) using M6x8mm Allen Screws (**S-A**). Tighten using 4mm Allen Wrench (**T-A**).



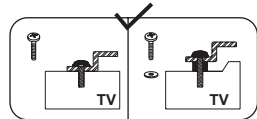
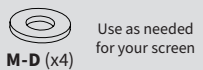
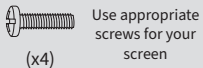
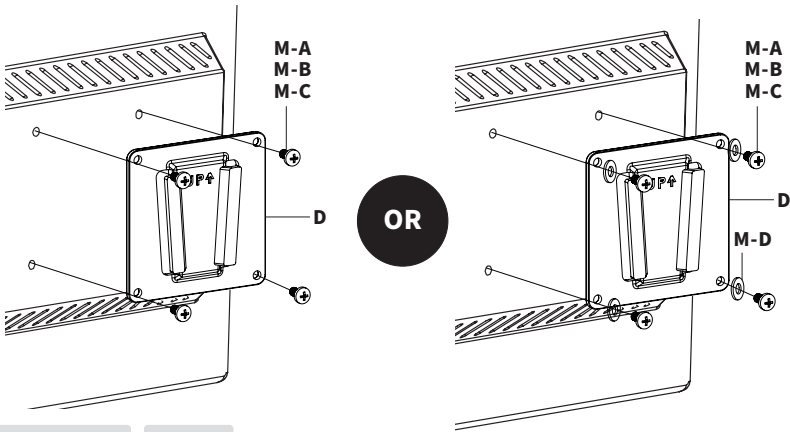
STEP 3

Install Quick Release Plate (C) onto the Adapter Brackets (B) using M6x8mm Allen Screws (S-A). Tighten using 4mm Allen Wrench (T-A).



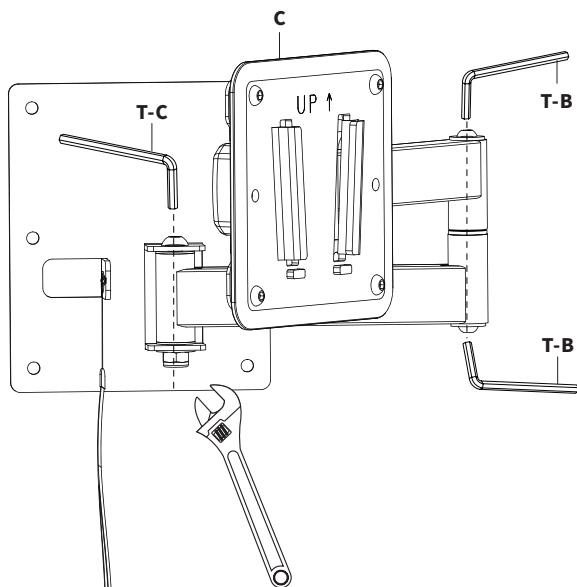
STEP 4

Attach VESA Plate (D) to the back of your screen using Screws (M-A through M-C), tightening with a Phillips screwdriver. M4 Washers (M-D) may be required for some screens.



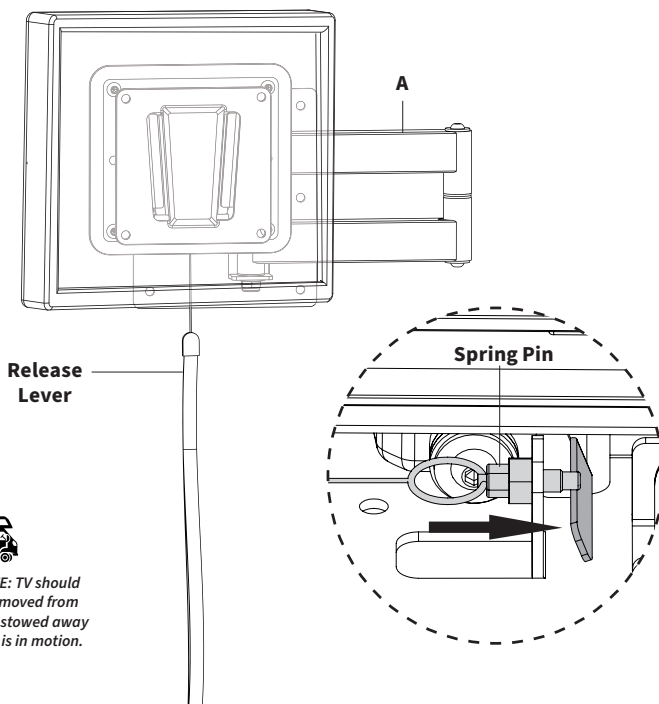
STEP 5

Slide your screen onto the Quick Release Plate (C). Use 5mm and 6mm Allen Wrenches (T-B, TC) and an adjustable wrench to tighten joints.



STEP 6

Push the arm on Mount (A) back towards the wall until the **Spring Pin** engages with the tab. To unlock, pull the **Release Lever** and swing the arm forward.



IMPORTANT NOTE: TV should be ALWAYS be removed from wall and securely stowed away while RV/camper is in motion.



Need Help? Get In Touch

Monday-Friday from 7:00am-7:00pm CST



help@vivo-us.com



www.vivo-us.com

Chat live with an agent!



309-278-5303



VIVO-us



@vivo_us