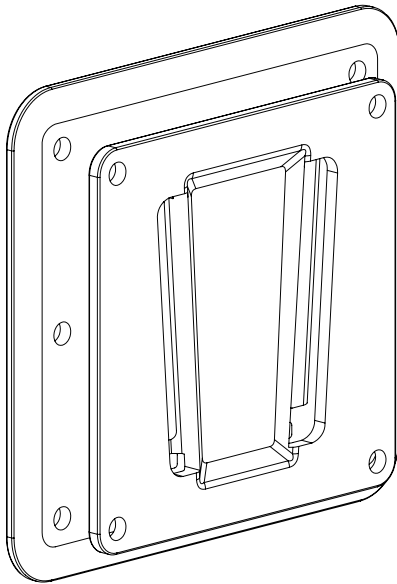




RV TV Mount Instruction Manual



SKU: MOUNT-VWRV1



Scan the QR code with your mobile device or follow the link for helpful videos and specifications related to this product.

<https://vivo-us.com/products/mount-vwrv1>

GET IN TOUCH | Monday-Friday from 7:00am-7:00pm CST



help@vivo-us.com



www.vivo-us.com
Chat live with an agent!



309-278-5303

⚠️ WARNING!

If you do not understand these directions, or if you have any doubts about the safety of the installation, please call a qualified technician. Check carefully to make sure there are no missing or defective parts. Improper installation may cause damage or serious injury. Do not use this product for any purpose that is not explicitly specified in this manual. Do not exceed weight capacity. We cannot be liable for damage or injury caused by improper mounting, incorrect assembly or inappropriate use.

⚠️ WARNING: CHOKING HAZARD

SMALL PARTS - NOT FOR CHILDREN UNDER 3 YEARS. ADULT SUPERVISION IS REQUIRED.

PACKAGE CONTENTS



A (x1)
Wall Plate



B (x1)
VESA Plate



S-A (x6)
ST6x30mm
Stainless Steel
Screw



M-A (x4)
M4 Washer



M-B (x4)
M4x12mm Screw



M-C (x4)
M5x12mm
Screw



M-D (x4)
M6x12mm
Screw

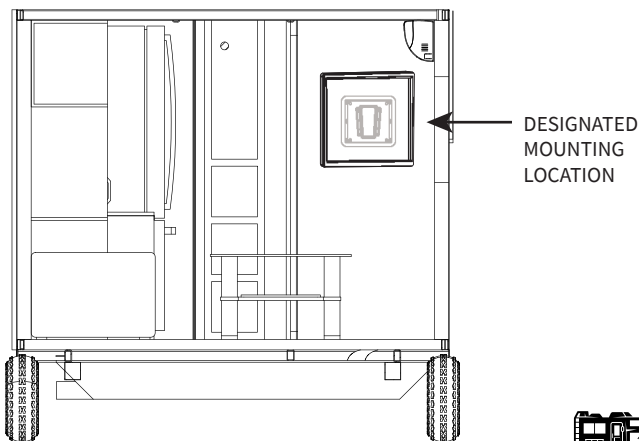
DO NOT EXCEED WEIGHT CAPACITY.
Failure to do so may result in serious injury.

30lbs
(13.6kg)

INSTALLATION LOCATIONS

TV mount can be installed on the inside or outside of an RV or camper wood stud walls.

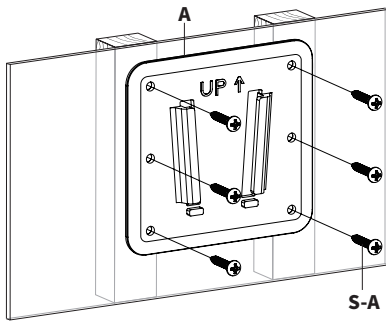
If mounting on an RV, locate the designated mounting location which should be pre-labeled by manufacturer as **TV BACKER** or **TV MOUNTING LOCATIONS**. Refer to RV manufacturer for more information.



IMPORTANT NOTE: TV should be ALWAYS be removed from wall and securely stowed away while RV/camper is in motion.

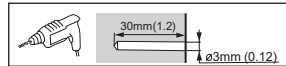
ASSEMBLY STEPS

STEP 1



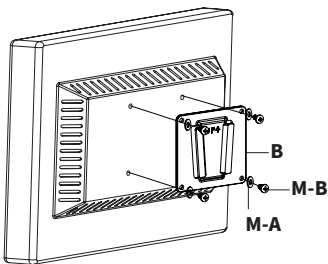
Hold Wall Plate **(A)** up to the desired mounting location and mark hole locations using a pencil. Use of a level is highly recommended. If mounting in an RV make sure the trailer is level before leveling the mount.

Drill marked holes 1.2" (30mm) deep using a 1/8" (3mm) drill bit. Install Wall Plate **(A)** using ST6x30mm Screws **(S-A)** and a Phillips screwdriver.

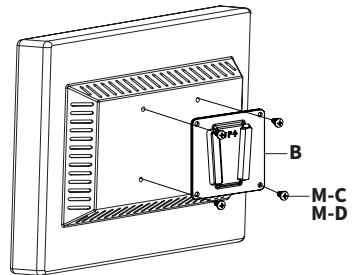


STEP 2

Secure VESA Plate **(B)** to TV using appropriate Screws **(M-B thru M-D)**, M4 Washers **(M-A)**, and a Phillips screwdriver. Ensure "UP" callout is in the correct orientation.

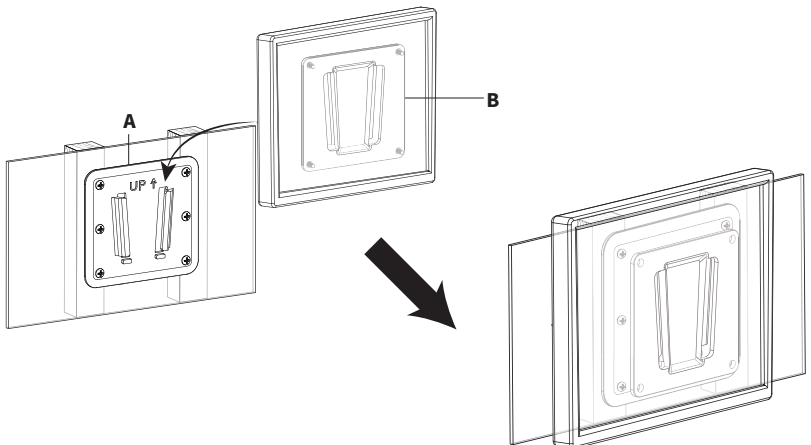


- OR -



STEP 3

Because of low-profile of mount, any needed cables should be plugged in prior to mounting the TV. Once cables are plugged in, slide TV with VESA Plate **(B)** onto Wall Plate **(A)**.





Love your new VIVO setup and want to share?
Tag us in your photo! [@vivo_us](#)

LAST UPDATED: 11/22/2022
REV1



Open **Monday - Friday 7:00am - 7:00pm** CST,
our dedicated support team can offer immediate assistance with rapid response times. If any parts are received damaged or defective, please contact us. We are happy to replace parts to ensure you have a fully functioning product.



309-278-5303

AVG. RESOLUTION TIME (*within office hrs*): **5M 4S**



www.vivo-us.com
Chat live with an agent!

AVG. RESOLUTION TIME (*within office hrs*): **< 15 M**



help@vivo-us.com

AVG. RESPONSE TIME (*within office hrs*): **1HR 8M**
- 23% within < 15m
- 38% within < 30m
- 61% within < 1hr
- 83% within < 2hr
- 92% within < 3hr

FOR MORE VIVO PRODUCTS, CHECK OUT OUR WEBSITE AT: www.vivo-us.com