

# RV TV Mount Set

1 VESA Plate, 2 Wall Mounts

SKU: MOUNT-VWRV1-3

Instruction Manual

---

Assembly Video & Product Info  
[www.vivo-us.com/products/mount-wrv1](http://www.vivo-us.com/products/mount-wrv1)



# ! CAUTION! !

If you do not understand these directions, or if you have any doubts about the safety of the installation, please contact our product support team at 309-278-5303 or [help@vivo-us.com](mailto:help@vivo-us.com) for further assistance. Check carefully to make sure there are no missing or defective parts. Improper installation may cause damage or serious injury. Do not use this product for any purpose that is not explicitly specified in this manual. Do not exceed weight capacity. We cannot be liable for damage or injury caused by improper mounting, incorrect assembly or inappropriate use.



## WARNING: CHOKING HAZARD

SMALL PARTS - NOT FOR CHILDREN UNDER 3 YEARS. ADULT SUPERVISION IS REQUIRED.



## DO NOT EXCEED WEIGHT CAPACITY

FAILURE TO DO SO MAY RESULT IN SERIOUS INJURY.

---

## We're Here for You

Open **Monday - Friday 7:00am - 7:00pm** CST, our dedicated support team can offer immediate assistance with rapid response times. If any parts are received damaged or defective, please contact us. We are happy to replace parts to ensure you have a fully functioning product.



Give us a Call:  
**309-278-5303**

AVG. RESOLUTION TIME (*within office hrs*): **5M 4S**



Chat Us:  
**[www.vivo-us.com](http://www.vivo-us.com)**

AVG. RESOLUTION TIME (*within office hrs*): **< 15 M**

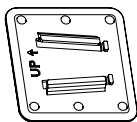


Email Us:  
**[help@vivo-us.com](mailto:help@vivo-us.com)**

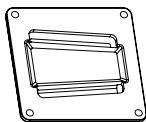
AVG. RESPONSE TIME (*within office hrs*): **1HR 8M**

- 23% within < 15m
- 38% within < 30m
- 61% within < 1hr
- 83% within < 2hr
- 92% within < 3hr

## Package Contents



**A (x2)**  
Wall Plate



**B (x1)**  
VESA Plate

---

## Included Hardware & Tools



**M-A (x4)**  
M4 Washer



**M-B (x4)**  
M4x12mm Screw



**M-C (x4)**  
M5x12mm  
Screw



**M-D (x4)**  
M6x12mm  
Screw



**W-A (x12)**  
ST6x30mm  
Stainless Steel  
Screw

---

## Tools Needed:



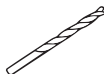
**Pencil**



**Phillips  
Screwdriver**



**Power  
Drill**



**1/8" (3mm)  
Drill Bit**



**Level**

## Weight Capacity:

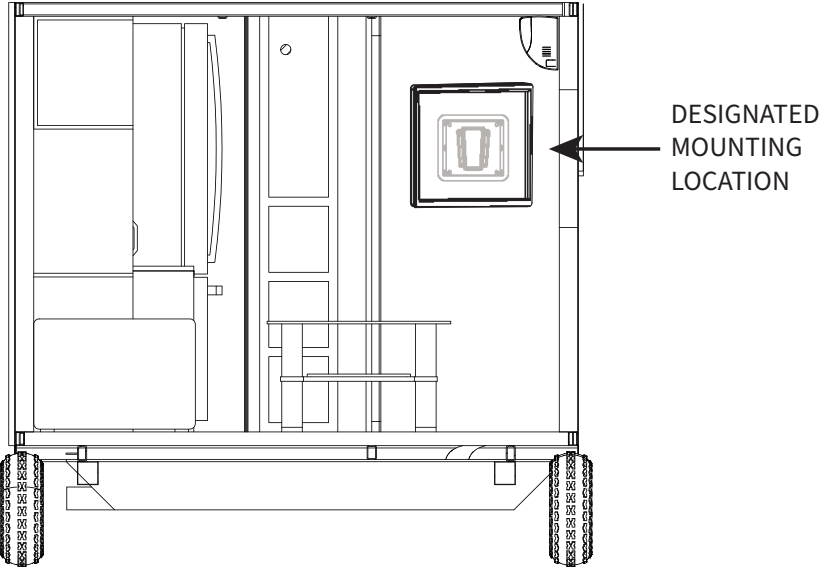


**30lbs  
(13.6kg)**

# Installation Locations

TV mount can be installed on the inside or outside of an RV or camper wood stud walls.

If mounting on an RV, locate the designated mounting location which should be pre-labeled by manufacturer as **TV BACKER** or **TV MOUNTING LOCATIONS**. Refer to RV manufacturer for more information.



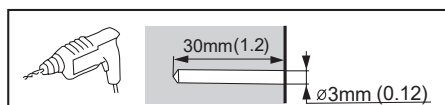
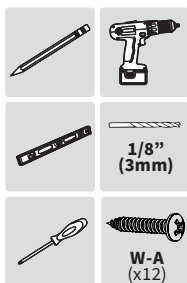
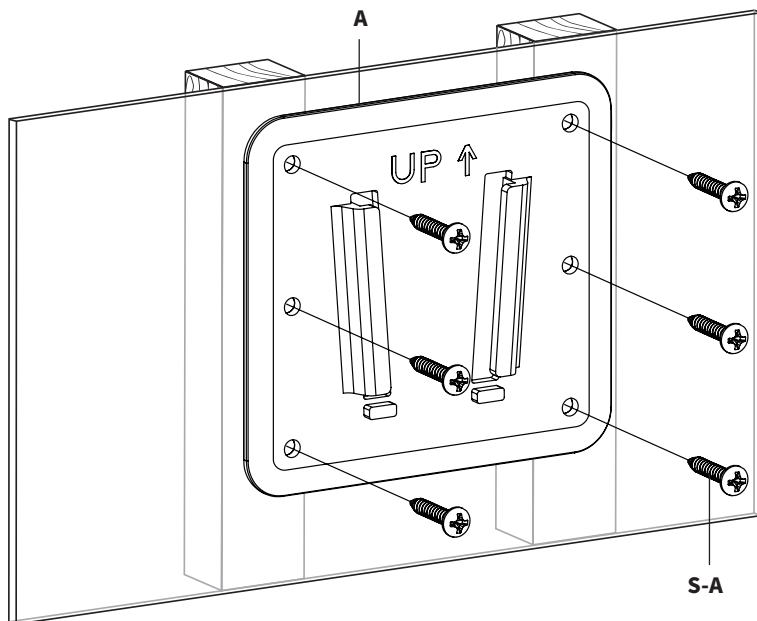
**IMPORTANT NOTE:** TV should be ALWAYS be removed from wall and securely stowed away while RV/camper is in motion.

# Assembly Steps

## STEP 1

Hold Wall Plate **(A)** up to the desired mounting location and mark hole locations using a pencil. Use of a level is highly recommended. If mounting in an RV make sure the trailer is level before leveling the mount.

Drill marked holes 1.2" (30mm) deep using a 1/8" (3mm) drill bit. Install Wall Plate **(A)** using ST6x30mm Screws **(S-A)** and a Phillips screwdriver. Repeat for second Wall Plate.



## STEP 2

Secure VESA Plate (**B**) to TV using appropriate Screws (**M-B thru M-D**), M4 Washers (**M-A**), and a Phillips screwdriver. Ensure “UP” callout is in the correct orientation.



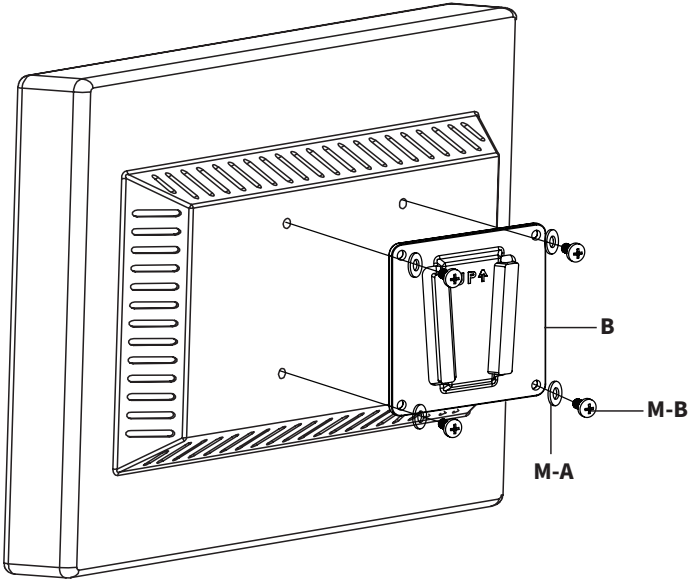
(x4)

Choose appropriate mounting screw for your TV.

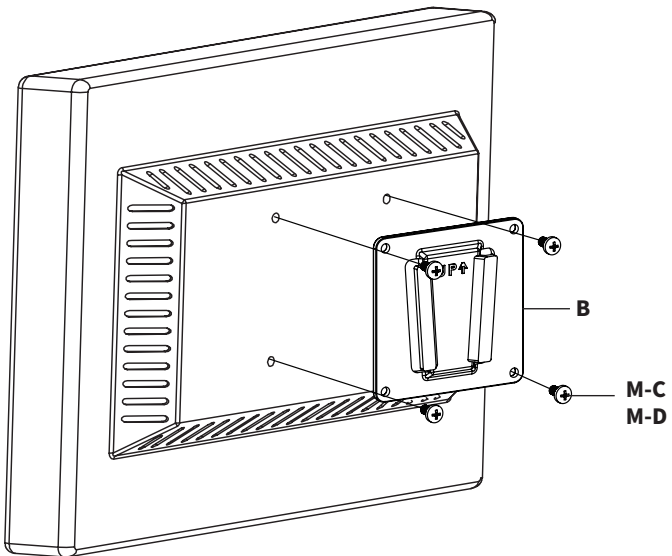


M-A  
(x4)

If needed for your TV.

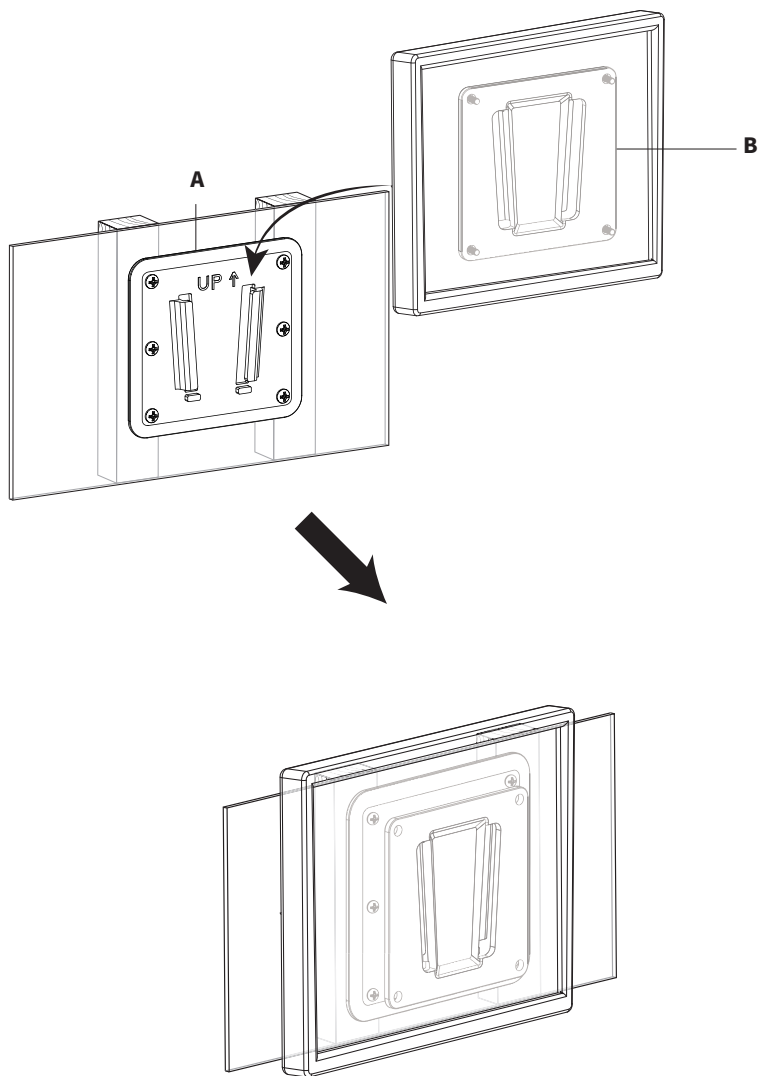


- OR -



### STEP 3

Because of low-profile of mount, any needed cables should be plugged in prior to mounting the TV. Once cables are plugged in, slide TV with VESA Plate **(B)** onto Wall Plate **(A)**.





## Need Help? Get In Touch

Monday-Friday from 7:00am-7:00pm CST



[help@vivo-us.com](mailto:help@vivo-us.com)



[www.vivo-us.com](http://www.vivo-us.com)

*Chat live with an agent!*



309-278-5303



VIVO-us



@vivo\_us