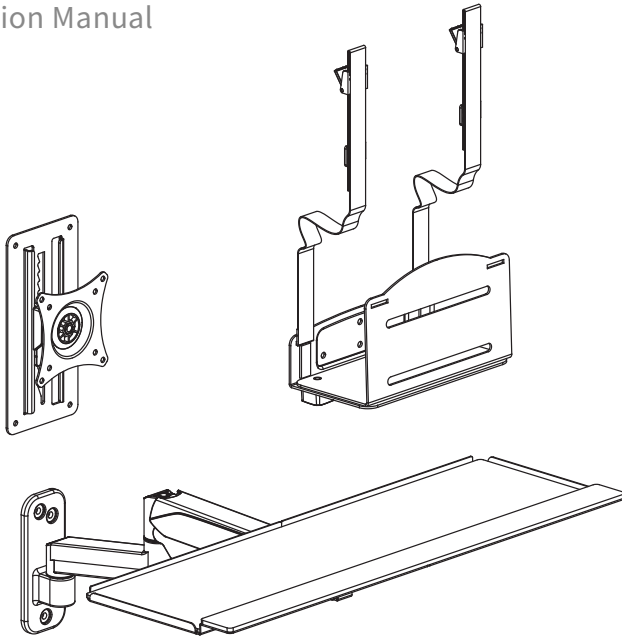




Single Monitor Wall Mount + Keyboard Tray Wall Mount + PC Wall Mount

Instruction Manual



SKU: MOUNT-VWKB1P



Scan the QR code with your mobile device or follow the link for helpful videos and specifications related to this product.

<https://vivo-us.com/products/mount-vwkb1p>

GET IN TOUCH | Monday-Friday from 7:00am-7:00pm CST



help@vivo-us.com



www.vivo-us.com
Chat live with an agent!

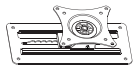


309-278-5303

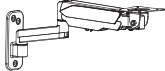
⚠ WARNING!

If you do not understand these directions, or if you have any doubts about the safety of the installation, please call a qualified technician. Check carefully to make sure there are no missing or defective parts. Improper installation may cause damage or serious injury. Do not use this product for any purpose that is not explicitly specified in this manual. Do not exceed weight capacity. We cannot be liable for damage or injury caused by improper mounting, incorrect assembly or inappropriate use.

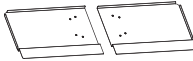
PACKAGE CONTENTS



A (x1)
Wall Mount



B (x1)
Arm



C (x1)
Keyboard Tray



D (x1)
Keyboard Tray
Bracket



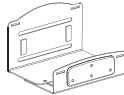
E (x1)
Mouse Pad



F (x1)
Wrist Pad



G (x3)
Cover



H (x1)
PC Mount



I (x2)
Strap



S-A (x4)
M4x8mm Screw



S-B (x4)
M4x12mm Flat
Head Screw



S-C (x4)
M4 Nut



S-D (x2)
Knob



M-A (x4)
M4x12mm Screw



M-B (x4)
M5x12mm Screw



M-C (x4)
M5 Washer



W-A (x3)
ST6.3x55mm
Screw



W-B (x3)
Concrete Anchor



W-C (x3)
M6 Washer



W-D (x4)
ST4x30mm Screw



W-E (x4)
Drywall Anchor



W-F (x2)
ST4.2x45mm Round
Head Screw



W-G (x4)
ST4.2x32mm Round
Head Screw



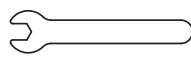
W-H (x4)
Drywall Anchor



W-I (x4)
Small M5
Washer



T-A (x1)
6mm Allen Wrench



T-B (x1)
Wrench

NOTE: SOME HARDWARE INCLUDED MAY NOT BE USED

DO NOT EXCEED WEIGHT CAPACITY.

Failure to do so may result in serious injury.



Mount



Keyboard Tray

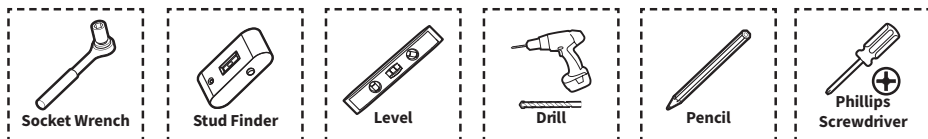


PC Mount

⚠ WARNING: CHOKING HAZARD

SMALL PARTS - NOT FOR CHILDREN UNDER 3 YEARS. ADULT SUPERVISION IS REQUIRED.

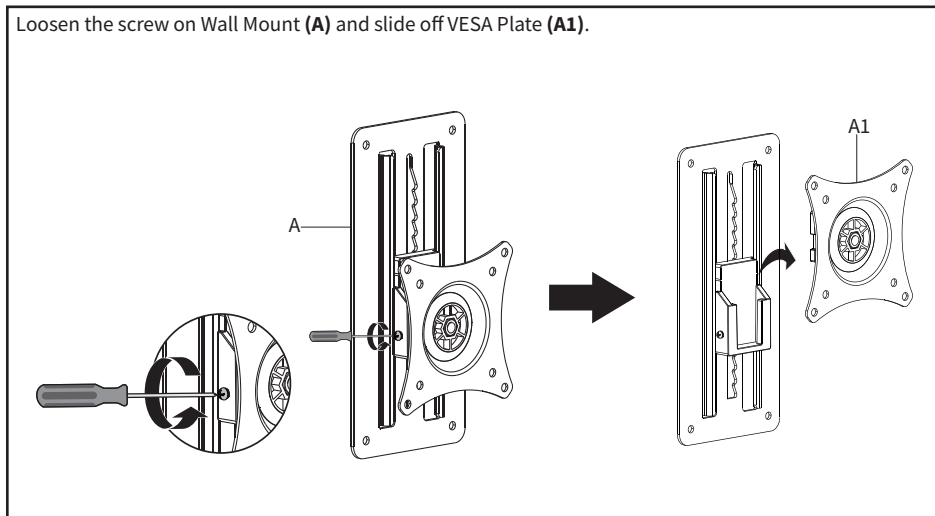
TOOLS NEEDED



ASSEMBLY STEPS

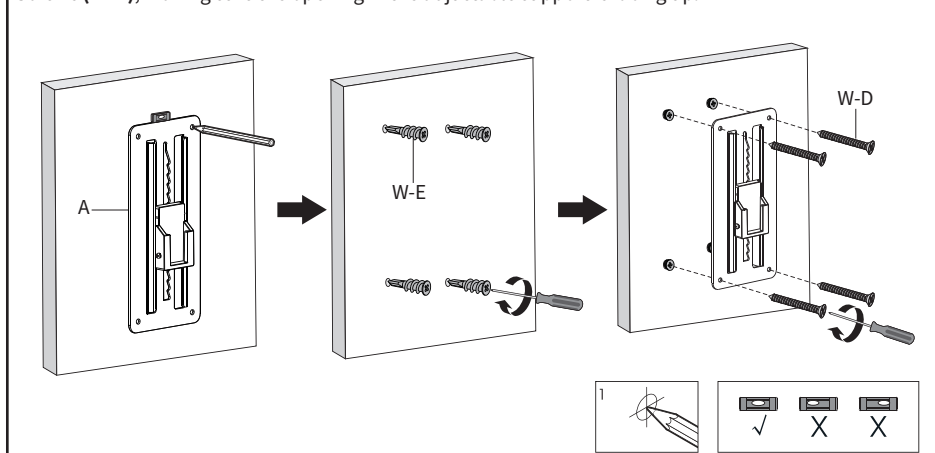
STEP 1

Loosen the screw on Wall Mount (**A**) and slide off VESA Plate (**A1**).



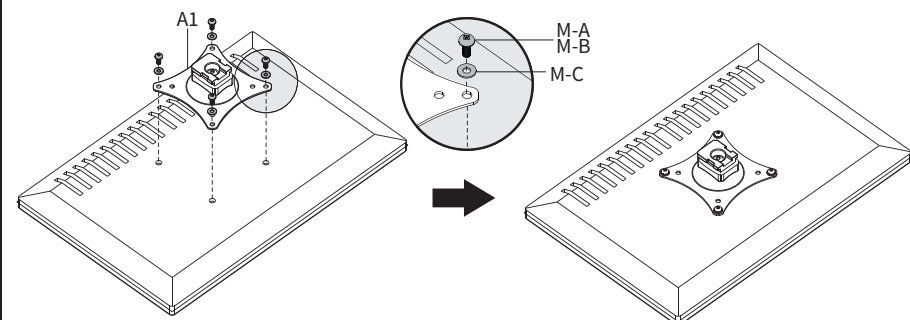
STEP 2

Place Wall Mount (**A**) against the wall at the desired location and mark drilling locations with a pencil. Use of a level is recommended. If mounting to wood, drill 1.75" (45mm) deep holes using a 3/32" (2.5mm) drill bit. For drywall, drill holes using a 5/16" - 25/64" (8 - 10mm) drill bit, then thread Drywall Anchors (**W-E**) into the holes using a Phillips screwdriver. Mount the wall bracket using the ST4x30mm Screws (**W-D**), making sure the opening in the adjustable support is facing up.



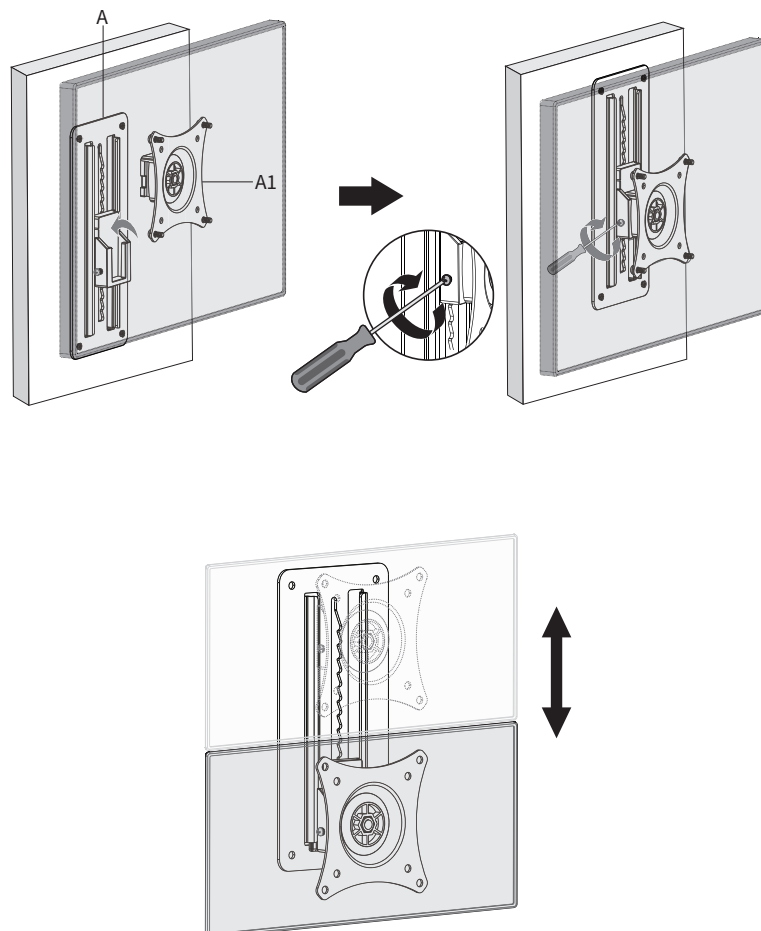
STEP 3

Assemble VESA Plate (**A1**) to the back of the monitor using Screws (**M-A or M-B**) and M5 Washers (**M-C**).



STEP 4

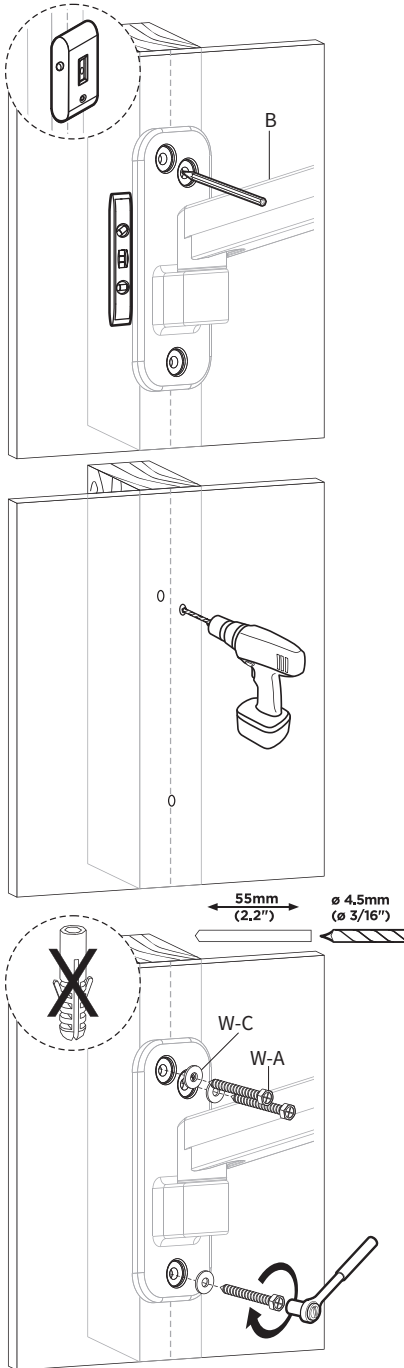
Slide VESA Plate (**A1**) back into Wall Mount (**A**) and secure by retightening the screw. Raise the monitor by lifting up. To lower the monitor, raise it up to the highest setting, then slowly lower it.



STEP 5

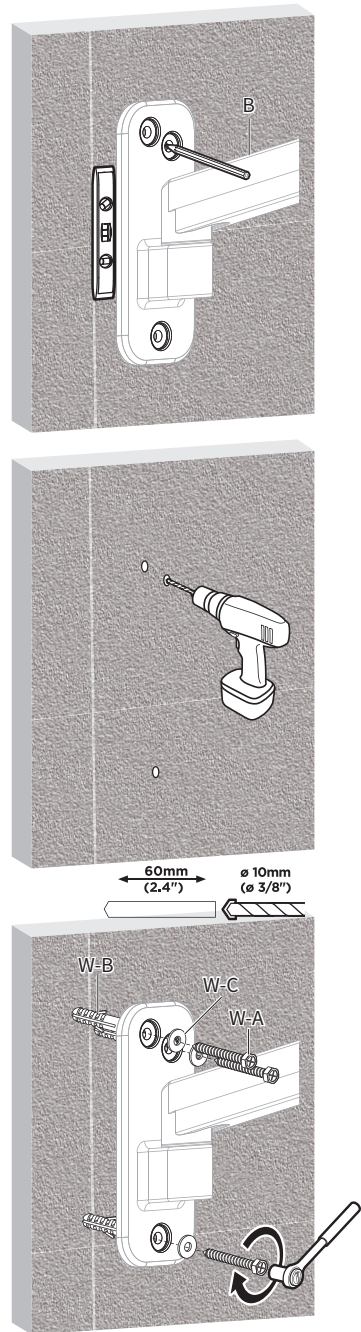
Wood Stud Installation

Use Arm (B) to mark mounting locations. Use of a level and stud finder is recommended. Using a 3/16" (4.5mm) bit, drill holes 2.2" (55mm) deep. Secure Arm (B) to the wall using ST6.3x55mm Screws (W-A) and M6 Washers (W-C).



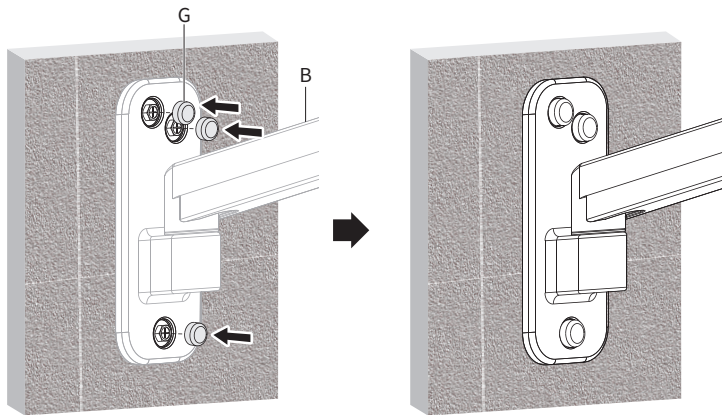
Brick/Concrete Installation

Use Arm (B) to mark mounting locations. Using a 3/8" (10mm) bit, drill holes 2.4" (60mm) deep. Insert Concrete Anchors (W-B) into holes. Secure Arm (B) to the wall using ST6.3x55mm Screws (W-A) and M6 Washers (W-C).



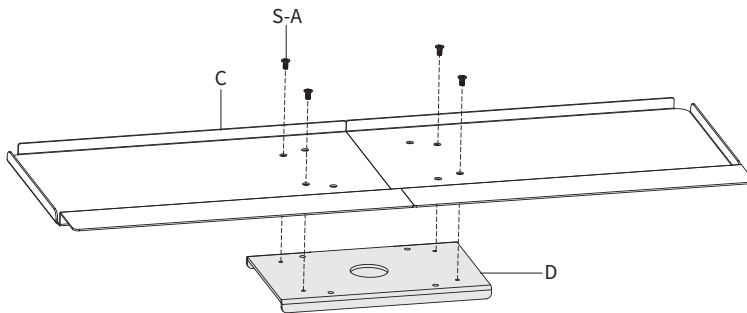
STEP 6

Insert Covers (G) into the mounting holes in Arm (B).



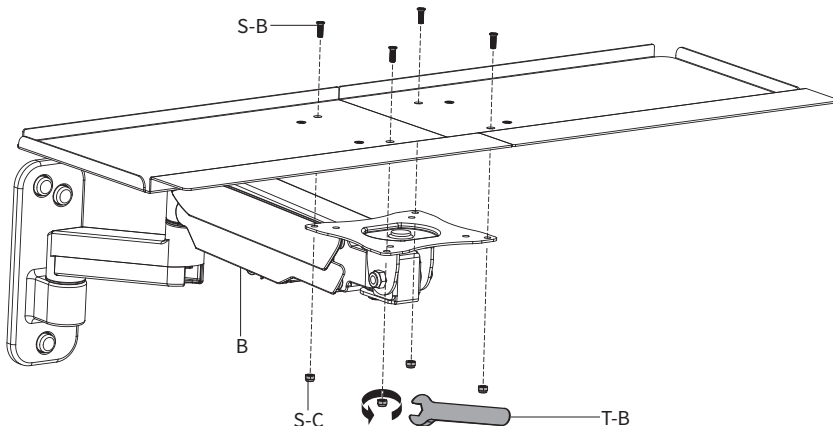
STEP 7

Assemble Keyboard Tray (C) using Keyboard Tray Bracket (D) with M4x8mm Screws (S-A) and a Phillips screwdriver.



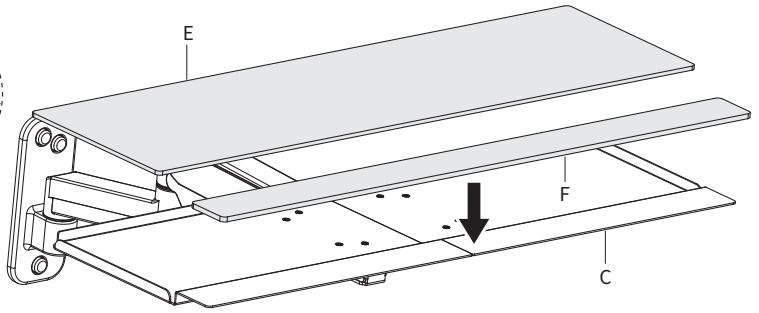
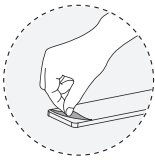
STEP 8

Mount the keyboard tray assembly to Arm (B) using M4x12mm Flat Head Screws (S-B) and M4 Nuts (S-C). Tighten using Wrench (T-B) and a Phillips screwdriver.



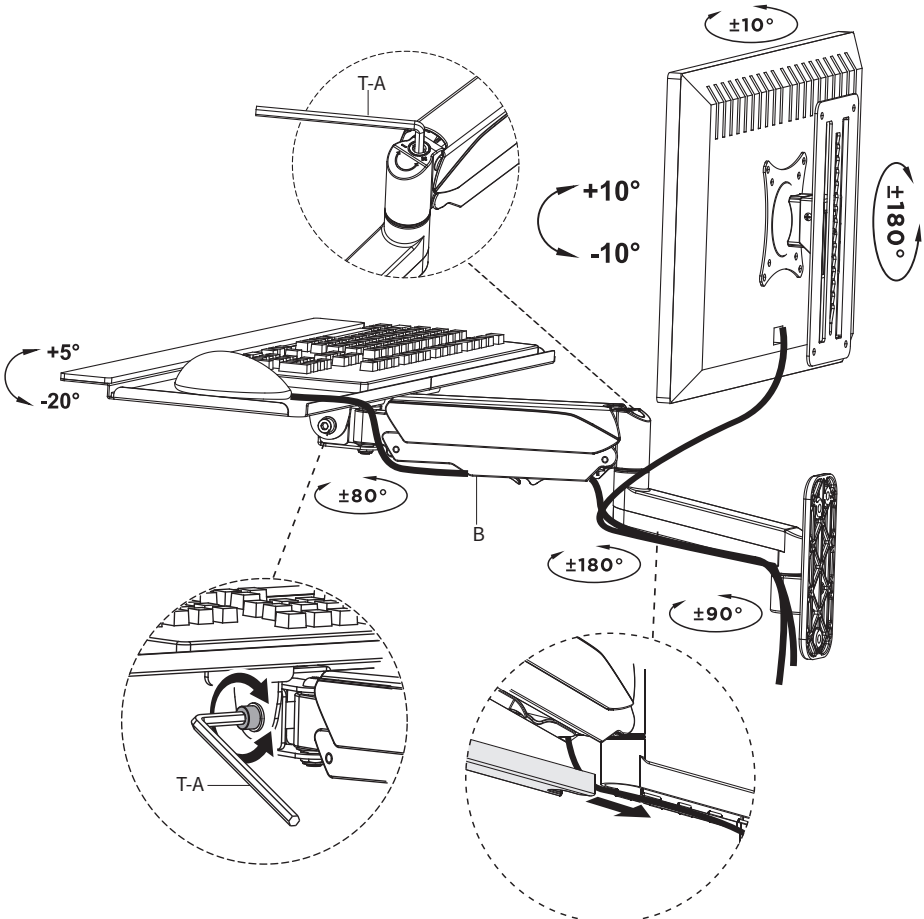
STEP 9

Remove the adhesive backing from Wrist Pad (F) and place it on Keyboard Tray (C) along with Mouse Pad (E).



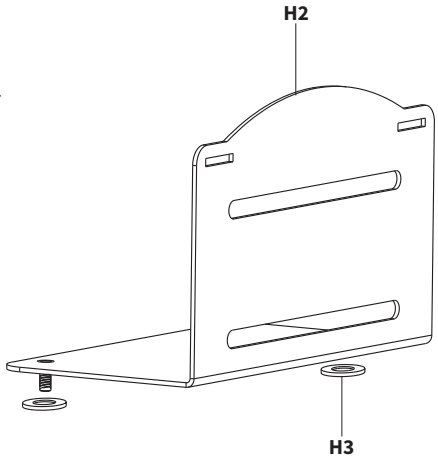
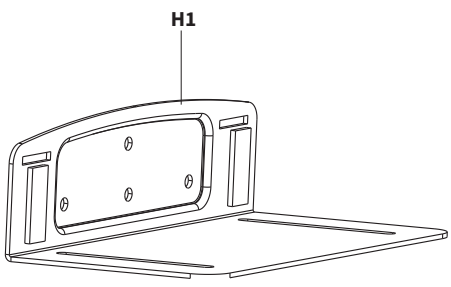
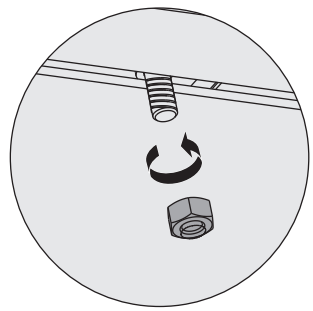
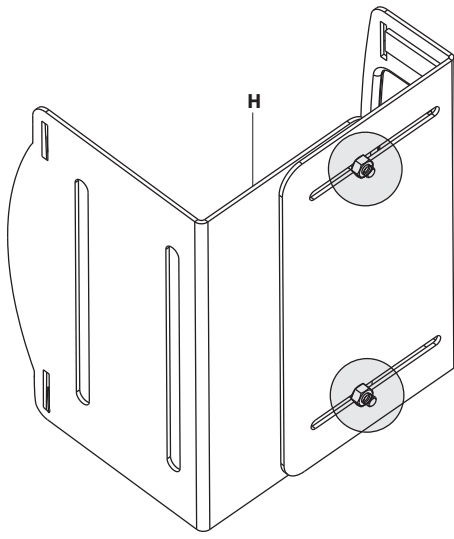
STEP 10

Route cables through the cable management channels in Arm (B). Adjust the tilt of Arm (B) using 6mm Allen Wrench (T-A). Adjust gas spring support in Arm (B) using 6mm Allen wrench (T-A), turning counter-clockwise increases support, and clockwise decreases.



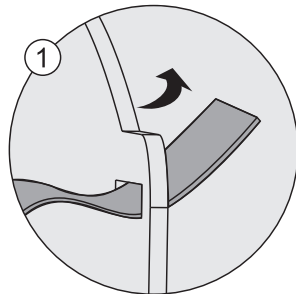
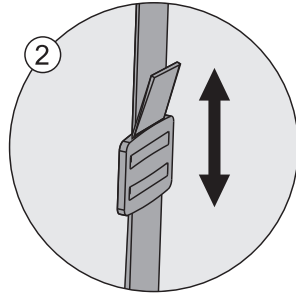
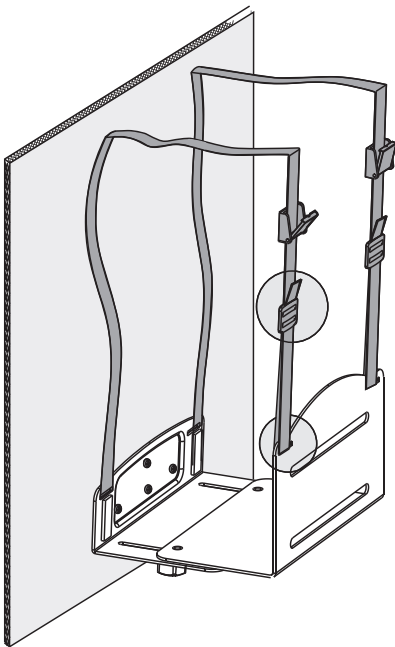
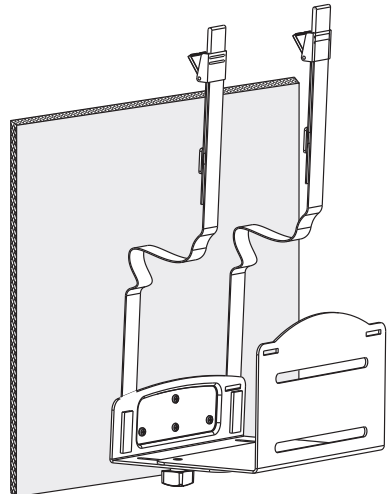
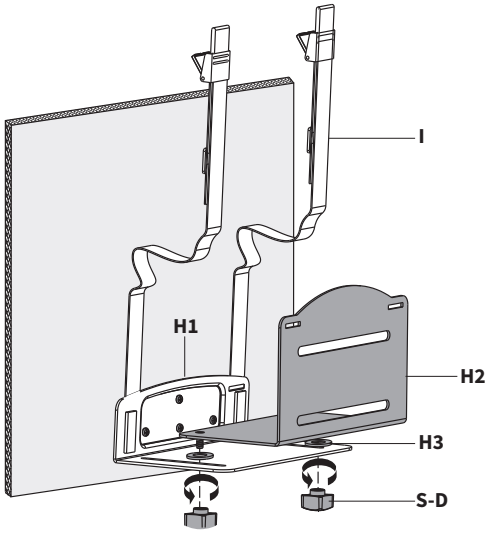
STEP 11

Remove the nuts from PC Mount (**H**) and separate into Wall Bracket (**H1**), End Bracket (**H2**) and Washers (**H3**).



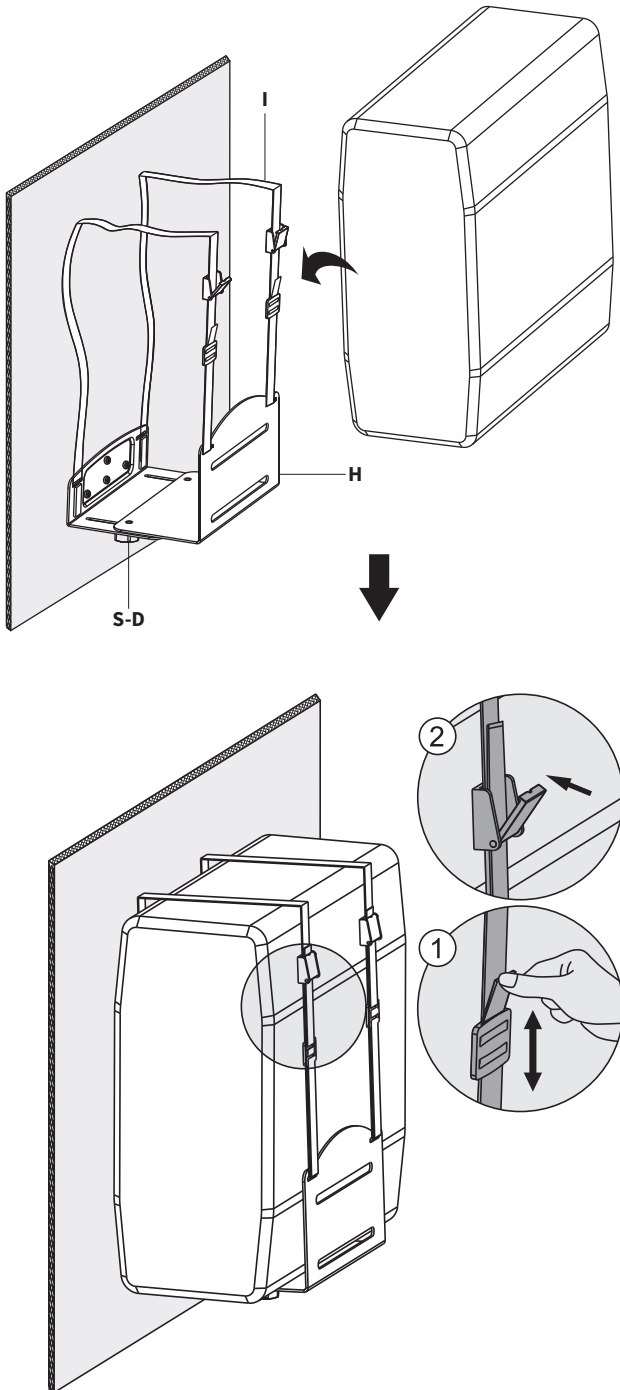
STEP 14


Reassemble the end bracket (**H2**) and Washers (**H3**) to the Wall Bracket (**H1**) using Knobs (**S-D**), leaving slightly loose for later adjustment. Thread the end of each Strap (**I**) through the slots in the end bracket, then back up into the clip on each strap as shown.



STEP 15

Place the PC tower into PC Mount (**H**), then adjust the end bracket to fit and tighten knobs (**S-D**). Tighten Straps (**I**), thread the ends into the buckles on the straps, and close the buckles to secure.



 Love your new VIVO setup and want to share?
Tag us in your photo! **@vivo_us**


LAST UPDATED: 11/24/2023
REV1
v1.0



Open **Monday - Friday 7:00am - 7:00pm** CST,
our dedicated support team can offer immediate assistance with rapid response times. If any parts are received damaged or defective, please contact us. We are happy to replace parts to ensure you have a fully functioning product.

 309-278-5303 **AVG. RESOLUTION TIME** (*within office hrs*): **5M 4S**

 www.vivo-us.com **AVG. RESOLUTION TIME** (*within office hrs*): **< 15 M**
Chat live with an agent!

 help@vivo-us.com **AVG. RESPONSE TIME** (*within office hrs*): **1HR 8M**
- 23% within < 15m
- 38% within < 30m
- 61% within < 1hr
- 83% within < 2hr
- 92% within < 3hr

FOR MORE VIVO PRODUCTS, CHECK OUT OUR WEBSITE AT: www.vivo-us.com