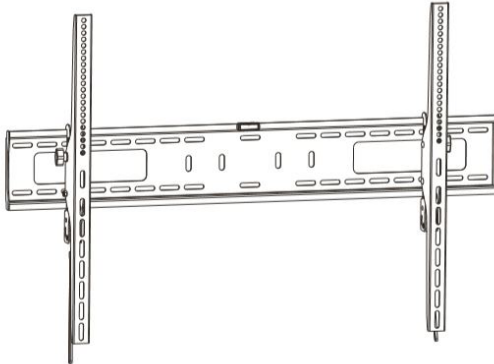




TV Wall Mount Instruction Manual



SKU: MOUNT-VW100T



Scan the QR code with your mobile device or follow the link for helpful videos and specifications related to this product.

<https://vivo-us.com/products/mount-vw100t>

GET IN TOUCH | Monday-Friday from 7:00am-7:00pm CST



help@vivo-us.com



www.vivo-us.com
Chat live with an agent!



309-278-5303

WARNING!

If you do not understand these directions, or if you have any doubts about the safety of the installation, please call a qualified technician. Check carefully to make sure there are no missing or defective parts. Improper installation may cause damage or serious injury. Do not use this product for any purpose that is not explicitly specified in this manual. Do not exceed weight capacity. We cannot be liable for damage or injury caused by improper mounting, incorrect assembly or inappropriate use.

PACKAGE CONTENTS



A (x1)
Mount



B (x2)
VESA Bracket



C (x2)
Knob



M-A (x4)
M6x14mm
Screw



M-B (x4)
M8x16mm
Screw



M-C (x4)
M6x30mm
Screw



M-D (x4)
M8x35mm
Screw



M-E (x4)
M8 Washer



M-F (x4)
Small Spacer



M-G (x4)
Large Spacer



W-A (x6)
Mounting
Screw



W-B (x6)
Concrete
Anchor



W-C (x6)
Washer



T-A (x1)
Bubble Level

NOTE: NOT ALL HARDWARE INCLUDED WILL BE USED

CAUTION!

DO NOT INSTALL INTO DRYWALL ALONE. VERIFY YOUR WALL CONSTRUCTION. USE WOOD STUDS TO MOUNT. We include mounting for brick and concrete walls. If unsure, please contact us at vivo-us.com, email at help@vivo-us.com, or call us at 309-278-5303.

WARNING: CHOKING HAZARD

SMALL PARTS - NOT FOR CHILDREN UNDER 3 YEARS.
ADULT SUPERVISION IS REQUIRED.

DO NOT EXCEED WEIGHT CAPACITY.

Failure to do so may result in serious injury.



TOOLS NEEDED



Drill

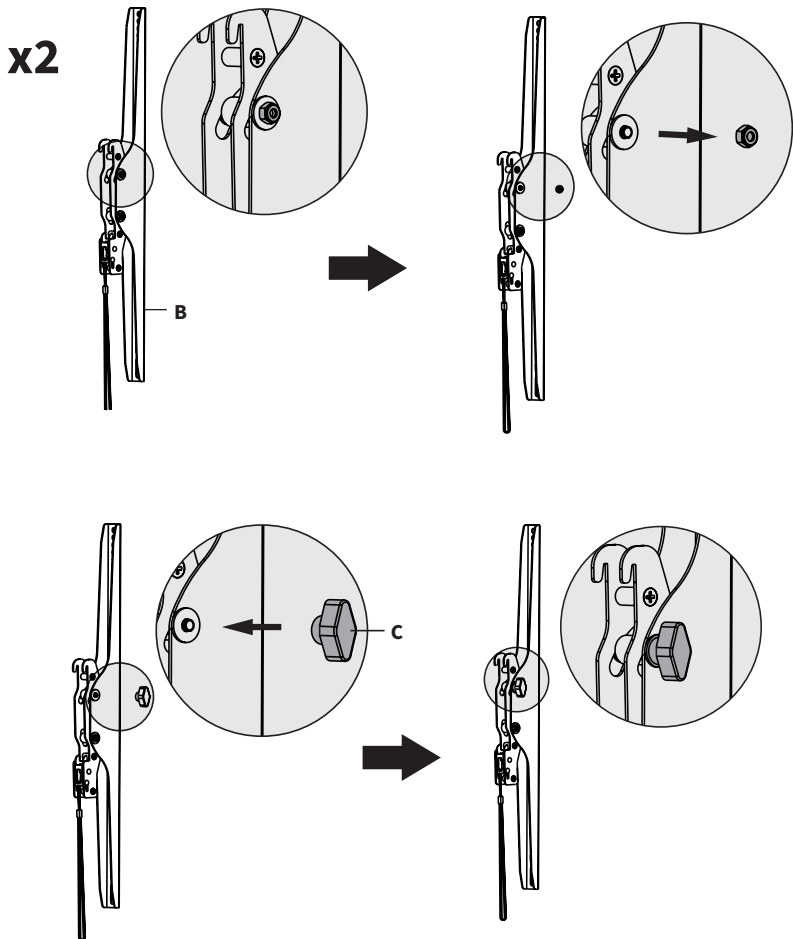


Phillips
Screwdriver

ASSEMBLY STEPS

STEP 1

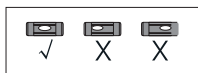
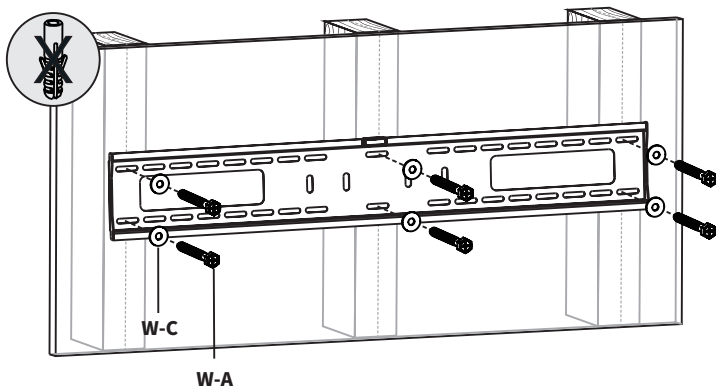
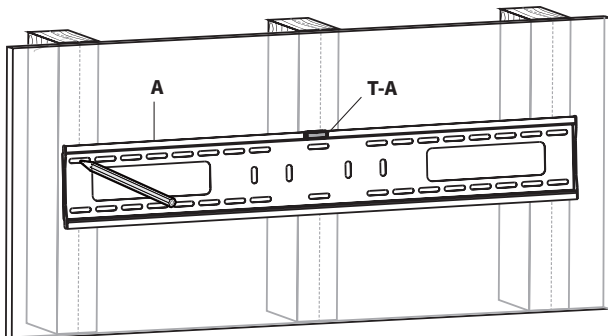
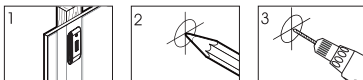
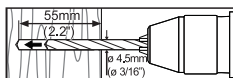
Remove nuts from VESA Brackets (**B**) and replace with Knobs (**C**).



STEP 2

OPTION A: Wood Wall

Holding the Mount (A) up to wall at desired height, use a pencil to mark mounting holes on wall where studs are located. Using a 5/32" bit, drill approximately 2.2" into wall. Use Mounting Screws (W-A) and Washers (W-C) to secure Mount (A) to the wall.

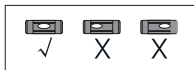
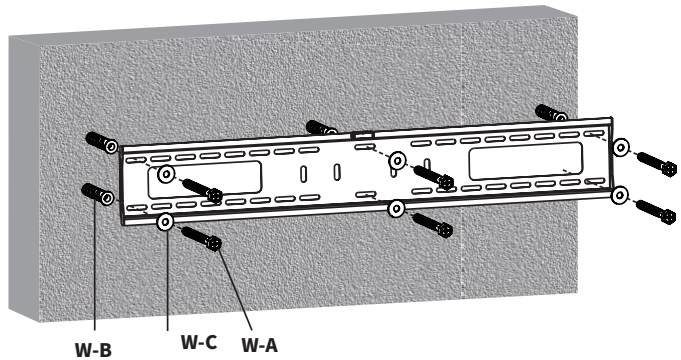
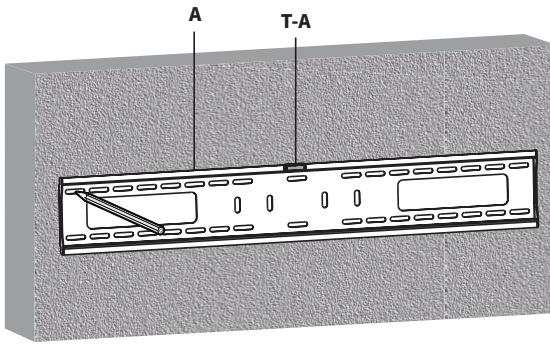
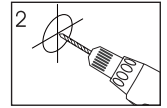
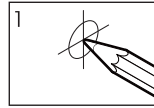
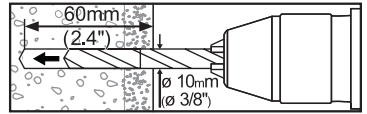


Use of Bubble Level (T-A)
is recommended.

STEP 2 (Continued)

OPTION B: Concrete/Brick Wall

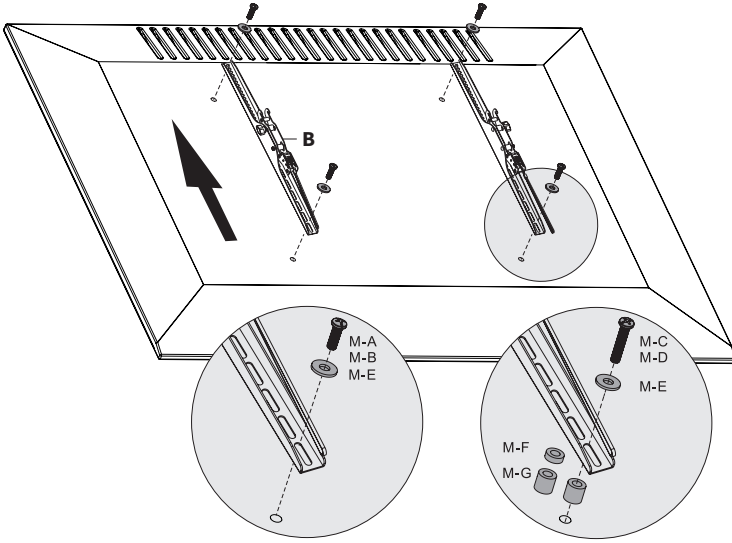
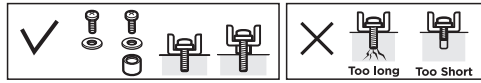
Holding the Mount (A) up to wall at desired height, use a pencil to mark mounting holes on wall where studs are located. Using a 3/8" bit, drill approximately 2.4" into wall. Insert Anchors (W-B) into holes and secure Mount (A) to wall using Mounting Screws (W-A) and Washers (W-C).



Use of Bubble Level (T-A)
is recommended.

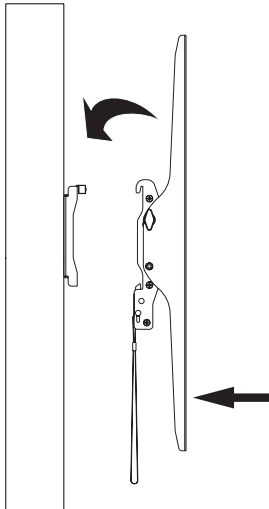
STEP 3

Mount VESA Brackets (**B**) to back of TV using appropriate Screws (**M-A thru M-D**), M8 Washers (**M-E**), and a Phillips screwdriver. Spacers (**M-F, M-G**) are provided if needed. Makes sure straps are towards the bottom of TV.



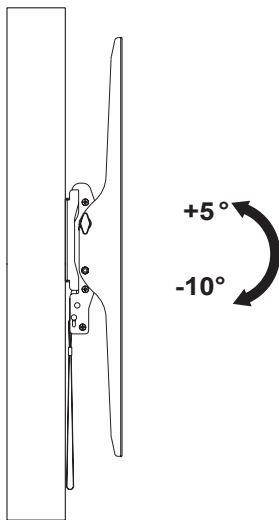
STEP 4

Attach TV to Mount (**A**) as shown below, making sure bottom of VESA Brackets (**B**) attached securely.



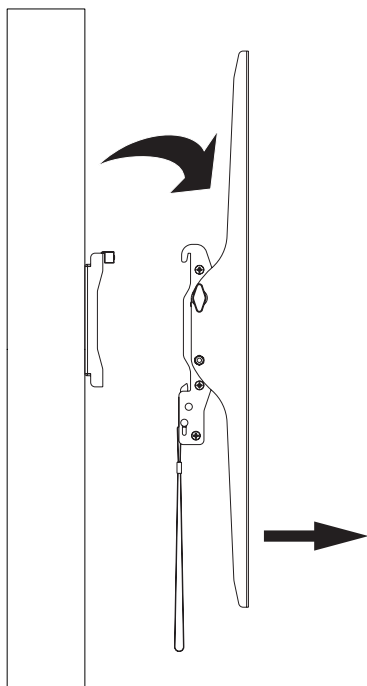
Adjustments


TV angle can be adjusted as desired.



Adjustments

To remove, pull both straps down and lift TV off of Mount **(A)**.




 Love your new VIVO setup and want to share?
Tag us in your photo! **@vivo_us**

LAST UPDATED: 02/10/2023
REV2



Open **Monday - Friday 7:00am - 7:00pm** CST,
our dedicated support team can offer immediate assistance with rapid response times. If any parts are received damaged or defective, please contact us. We are happy to replace parts to ensure you have a fully functioning product.

 309-278-5303

AVG. RESOLUTION TIME (*within office hrs*): **5M 4S**

 www.vivo-us.com
Chat live with an agent!

AVG. RESOLUTION TIME (*within office hrs*): **< 15 M**

 help@vivo-us.com

AVG. RESPONSE TIME (*within office hrs*): **1HR 8M**

- 23% within < 15m
- 38% within < 30m
- 61% within < 1hr
- 83% within < 2hr
- 92% within < 3hr

FOR MORE VIVO PRODUCTS, CHECK OUT OUR WEBSITE AT: www.vivo-us.com