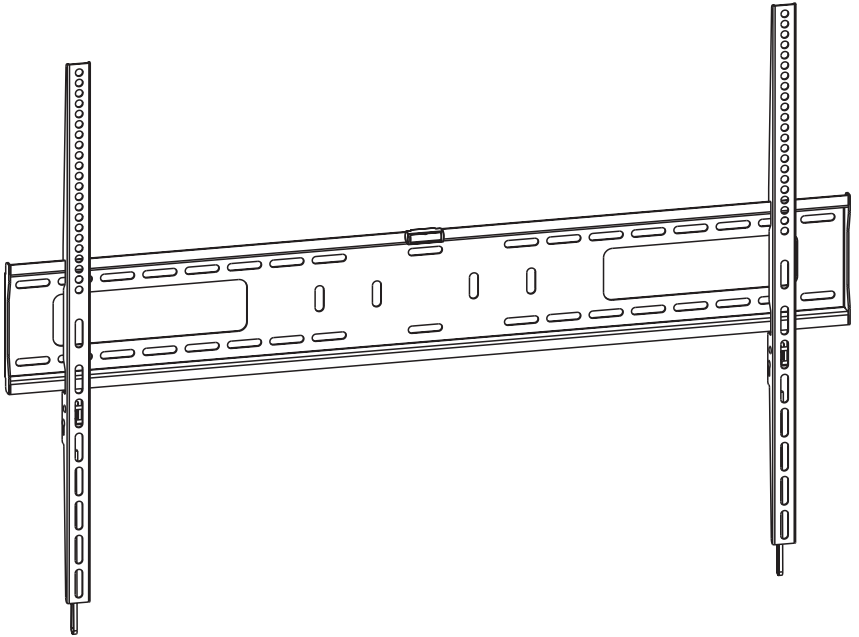




Extra Large TV Wall Mount

Instruction Manual



SKU: MOUNT-VW100F



Scan the QR code with your mobile device or follow the link for helpful videos and specifications related to this product.

<https://vivo-us.com/products/mount-vw100f>

GET IN TOUCH | Monday-Friday from 7:00am-7:00pm CST



help@vivo-us.com



www.vivo-us.com
Chat live with an agent!

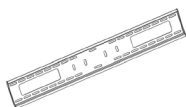


309-278-5303

WARNING!

If you do not understand these directions, or if you have any doubts about the safety of the installation, please call a qualified technician. Check carefully to make sure there are no missing or defective parts. Improper installation may cause damage or serious injury. Do not use this product for any purpose that is not explicitly specified in this manual. Do not exceed weight capacity. We cannot be liable for damage or injury caused by improper mounting, incorrect assembly or inappropriate use.

PACKAGE CONTENTS



A (x1)
Mount



B (x2)
Bracket



M-A (x4)
M6x14mm
Screws



M-B (x4)
M8x16mm
Screw



M-C (x4)
M6x30mm
Screw



M-D (x4)
M8x35mm
Screw



M-E (x4)
M8 Washer



M-F (x4)
Small Spacer



M-G (x4)
Big Spacer



W-A (x6)
Mounting
Screws



W-B (x6)
Anchor



W-C (x6)
Washer



T-A (x1)
Level

NOTE: NOT ALL HARDWARE INCLUDED WILL BE USED

CAUTION!

DO NOT INSTALL INTO DRYWALL ALONE. VERIFY YOUR WALL CONSTRUCTION. USE WOOD STUDS TO MOUNT. We include mounting for brick and concrete walls. If unsure, please contact us at vivo-us.com, email at help@vivo-us.com, or call us at 309-278-5303.

TOOLS NEEDED



Drill



Phillips
Screwdriver



Pencil

WARNING: CHOKING HAZARD

SMALL PARTS - NOT FOR CHILDREN UNDER 3 YEARS. ADULT SUPERVISION IS REQUIRED.

DO NOT EXCEED WEIGHT CAPACITY.

Failure to do so may result in serious injury.

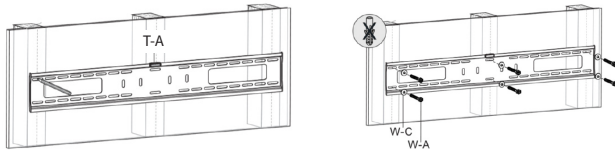


ASSEMBLY STEPS

STEP 1

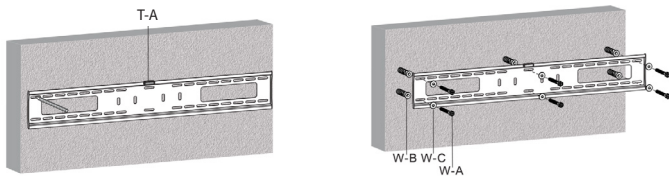
OPTION A: Wood Wall

Use Mount (A) with Level (T-A) to mark mounting holes on wall where studs are located. Using a 3/16" bit, drill 2.2" into wall. Install mount using Mounting Screws (W-A) and Washers (W-C).



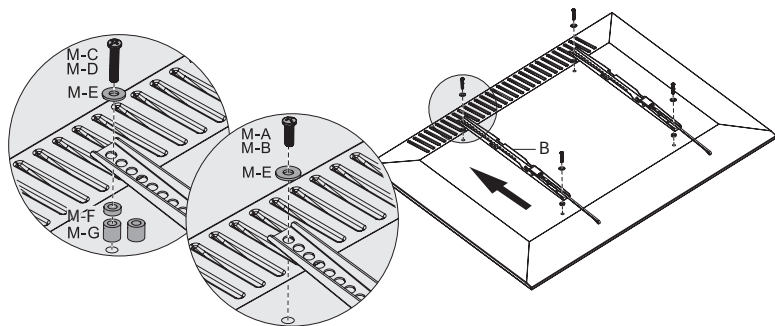
OPTION B: Concrete/Brick Wall

Use mount (A) with Level (T-A) to mark mounting holes on wall. Using a 3/8" bit, drill 2.4" into wall. Insert Anchors (W-B) into holes and use Mounting Screws (W-A) and Washers (W-C) to install mount.



STEP 2

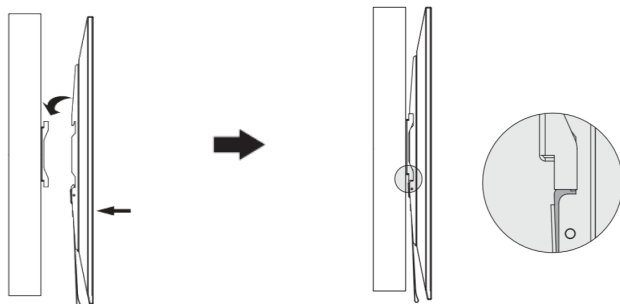
Mount Brackets (B) to back of television using appropriate screws (M-A thru M-D) Metal Spacer (M-E). Make sure straps are towards bottom of TV. If screws are too long, spacers (M-F, M-G) may be required.



STEP 3

Attach TV to Mount (A) as shown in diagram. Make sure bottom of Brackets (B) are attached securely.

NOTE: To remove, pull both straps down and lift television off of Mount (A).





Love your new VIVO setup and want to share?
Tag us in your photo! **@vivo_us**

LAST UPDATED: 02/08/2023
REV2



Open **Monday - Friday 7:00am - 7:00pm** CST,
our dedicated support team can offer immediate assistance with rapid response times. If any parts are received damaged or defective, please contact us. We are happy to replace parts to ensure you have a fully functioning product.



309-278-5303

AVG. RESOLUTION TIME (*within office hrs*): **5M 4S**



www.vivo-us.com
Chat live with an agent!

AVG. RESOLUTION TIME (*within office hrs*): **< 15 M**



help@vivo-us.com

AVG. RESPONSE TIME (*within office hrs*): **1HR 8M**

- 23% within < 15m
- 38% within < 30m
- 61% within < 1hr
- 83% within < 2hr
- 92% within < 3hr

FOR MORE VIVO PRODUCTS, CHECK OUT OUR WEBSITE AT: www.vivo-us.com