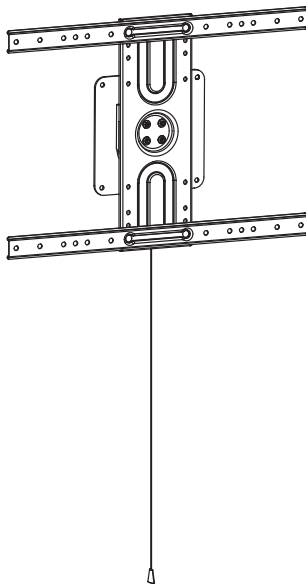




Rotating TV Wall Mount

Instruction Manual



SKU: MOUNT-VW080P



Scan the QR code with your mobile device or follow the link for helpful videos and specifications related to this product.

<https://vivo-us.com/products/mount-vw080p>

GET IN TOUCH | Monday-Friday from 7:00am-7:00pm CST



help@vivo-us.com



www.vivo-us.com
Chat live with an agent!



309-278-5303

















WARNING!

If you do not understand these directions, or if you have any doubts about the safety of the installation, please call a qualified technician. Check carefully to make sure there are no missing or defective parts. Improper installation may cause damage or serious injury. Do not use this product for any purpose that is not explicitly specified in this manual. Do not exceed weight capacity. We cannot be liable for damage or injury caused by improper mounting, incorrect assembly or inappropriate use.

WARNING: CHOKING HAZARD

SMALL PARTS - NOT FOR CHILDREN UNDER 3 YEARS. ADULT SUPERVISION IS REQUIRED.

PACKAGE CONTENTS

					
A (x1) Mount	B (x2) VESA Bracket	S-A (x4) M6x11mm Screw	S-B (x4) M6 Nut	M-A (x4) M6x14mm Screw	
					
M-B (x4) M8x16mm Screw	M-C (x4) M6x30mm Screw	M-D (x4) M8x35mm Screw	M-E (x4) M8 Washer	M-F (x4) 5mm Spacer	M-G (x8) 15mm Spacer
					
W-A (x3) M8x60mm Screw	W-B (x3) Anchor	W-C (x3) M8 Washer	W-D (x2) M6x50mm Screw	T-A (x1) Wrench	

NOTE: SOME HARDWARE INCLUDED MAY NOT BE USED

CAUTION!

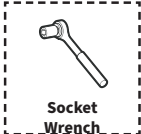
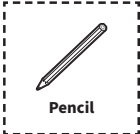
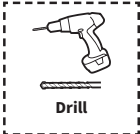
DO NOT INSTALL INTO DRYWALL ALONE. VERIFY YOUR WALL CONSTRUCTION. USE WOOD STUDS TO MOUNT. We include mounting for brick and concrete walls. If unsure, please contact us at vivo-us.com, email at help@vivo-us.com, or call us at 309-278-5303.

DO NOT EXCEED WEIGHT CAPACITY.

Failure to do so may result in serious injury.

110lbs
(50kg)

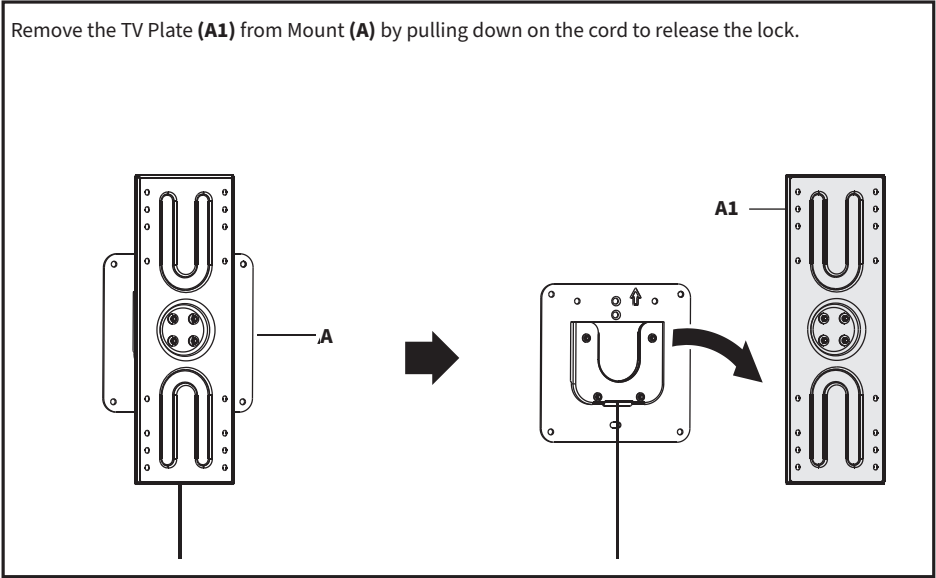
TOOLS NEEDED



ASSEMBLY STEPS

STEP 1

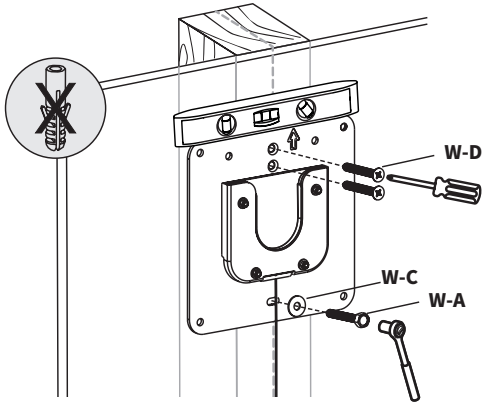
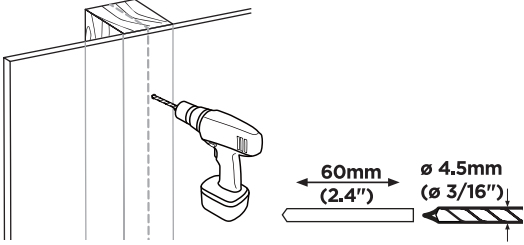
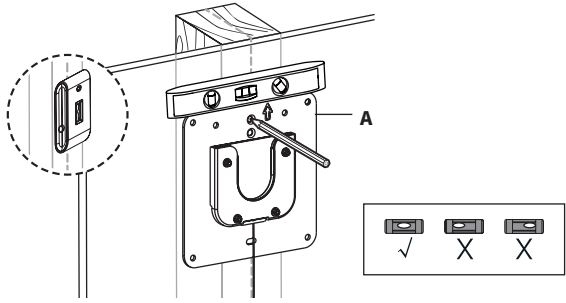
Remove the TV Plate (A1) from Mount (A) by pulling down on the cord to release the lock.



STEP 2

OPTION A: WOOD STUD WALL

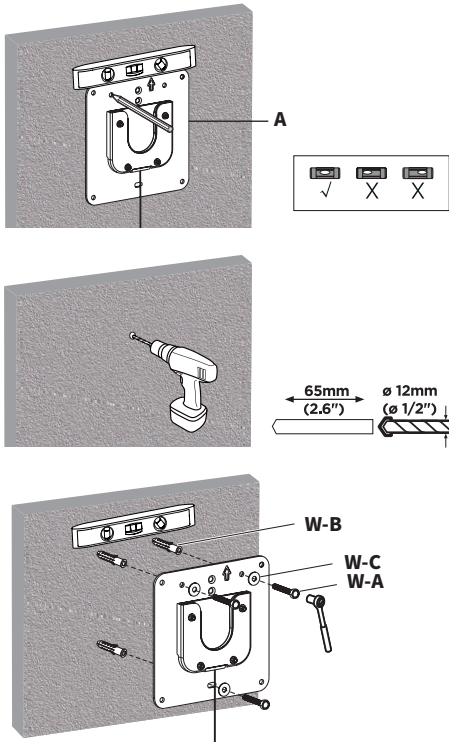
Using the center holes on Mount (A), mark drilling locations. Use of a stud finder is highly recommended. Drill 2.4" (60mm) deep holes using a 3/16" (4.5mm) drill bit, and secure Mount (A) to the wall using M6x50mm Screws (W-D) in upper two holes, and M8x60mm Screws (W-A) with M8 Washers (W-C) in the lower hole.



STEP 2 (Continued)

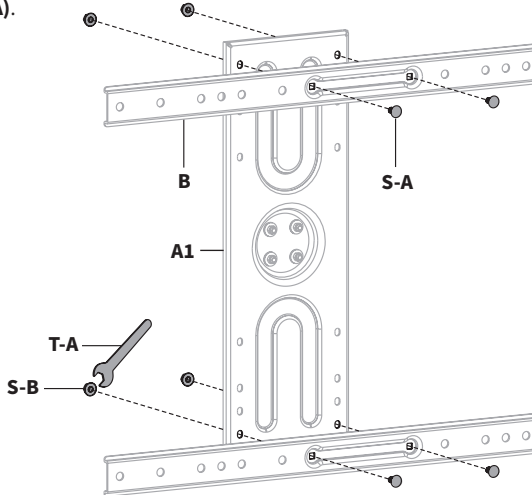
OPTION B: CONCRETE/BRICK WALL

Using the upper side holes and lower center hole on Mount (A), mark drilling locations. Drill 2.6" (65mm) deep holes using a 1/2" (12mm) drill bit, press Anchors (W-B) into holes, and secure Mount (A) to the wall using M8x60mm Screws (W-A) and M8 Washers (W-C). **NOTE:** Anchors are made for use with concrete or brick, and will not work with drywall.



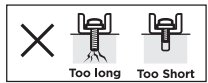
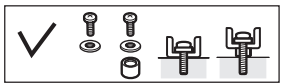
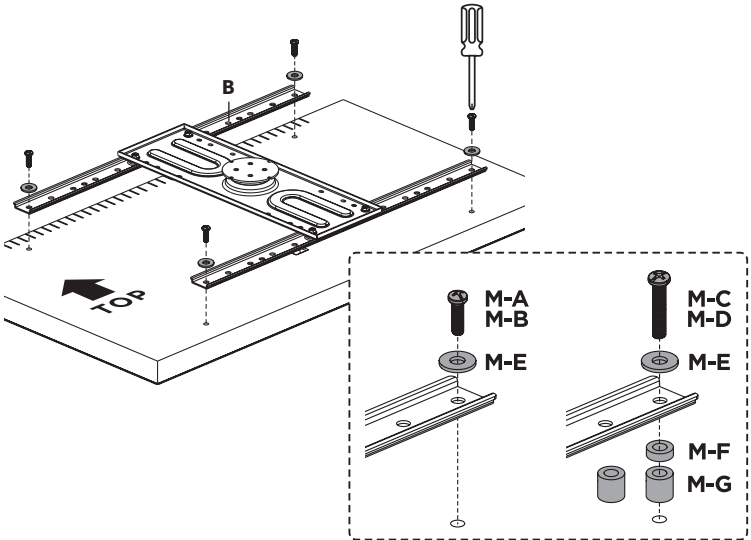
STEP 3

Attach VESA Brackets (B) to TV Plate (A1) using M6x11mm Screws (S-A) with M6 Nuts (S-B) and Wrench (T-A).



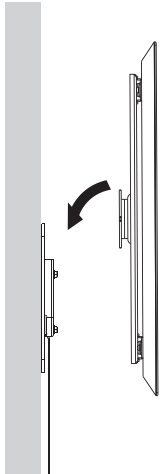
STEP 4

With TV face down on a flat surface, secure assembled VESA Brackets (**B**) to the TV using appropriate Screws (**M-A thru M-D**) and M8 Washers (**M-E**). If needed, Spacers (**M-F, M-G**) have been provided.



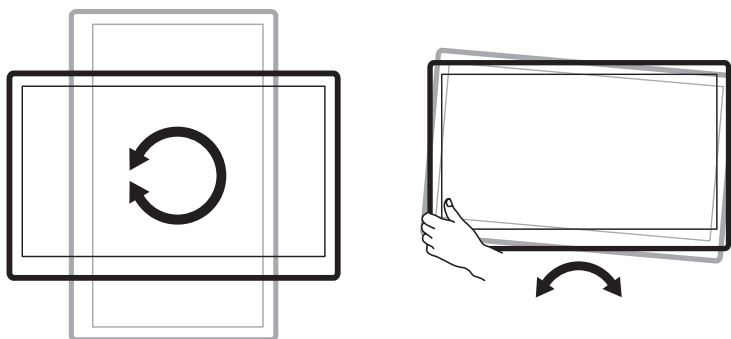
STEP 5

Carefully place the TV plate with brackets and TV into the opening on top of the mount until the latch has engaged. The cord may be hidden by attaching to any part of the steel mount.



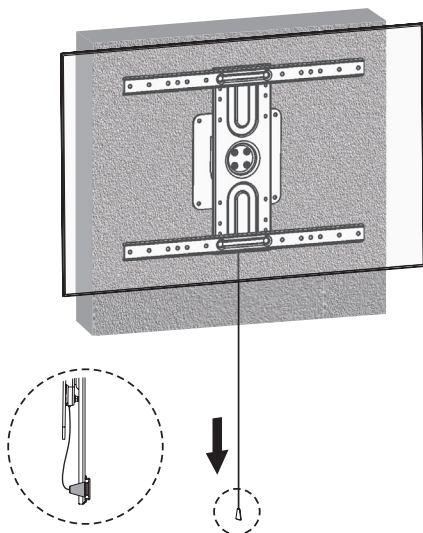
Adjustments

Freely rotate the TV to the desired position and adjust the tilt as desired.




Removing TV

To remove the TV, pull down on the cord to release the latch, then lift the TV off from the mount.





Open **Monday - Friday 7:00am - 7:00pm** CST,
our dedicated support team can offer immediate assistance with rapid response times. If any parts are received damaged or defective, please contact us. We are happy to replace parts to ensure you have a fully functioning product.

 309-278-5303

AVG. RESOLUTION TIME (*within office hrs*): **5M 4S**

 www.vivo-us.com
Chat live with an agent!

AVG. RESOLUTION TIME (*within office hrs*): **< 15 M**

 help@vivo-us.com

AVG. RESPONSE TIME (*within office hrs*): **1HR 8M**

- 23% within < 15m
- 38% within < 30m
- 61% within < 1hr
- 83% within < 2hr
- 92% within < 3hr