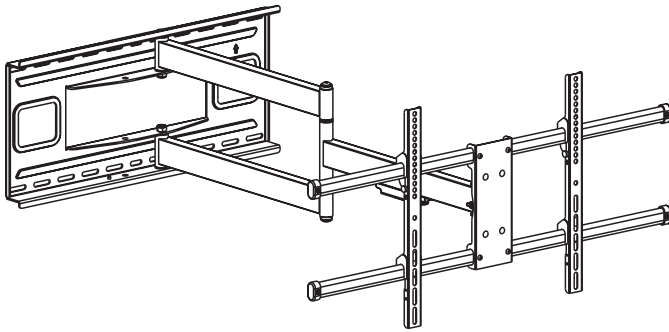


---

## Long Arm TV Wall Mount Instruction Manual



**SKU: MOUNT-VW080L**



Scan the QR code with your mobile device or follow the link for helpful videos and specifications related to this product.

<https://vivo-us.com/products/mount-vw080l>

---

**GET IN TOUCH** | Monday-Friday from 7:00am-7:00pm CST



help@vivo-us.com



www.vivo-us.com  
*Chat live with an agent!*



309-278-5303

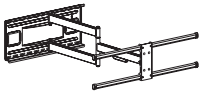
# **WARNING!**

If you do not understand these directions, or if you have any doubts about the safety of the installation, please call a qualified technician. Check carefully to make sure there are no missing or defective parts. Improper installation may cause damage or serious injury. Do not use this product for any purpose that is not explicitly specified in this manual. Do not exceed weight capacity. We cannot be liable for damage or injury caused by improper mounting, incorrect assembly or inappropriate use.

## **WARNING: CHOKING HAZARD**

SMALL PARTS - NOT FOR CHILDREN UNDER 3 YEARS. ADULT SUPERVISION IS REQUIRED.

## PACKAGE CONTENTS



**A** (x1)  
Mount



**B** (x1)  
Template



**C** (x2)  
VESA Bracket



**S-A** (x2)  
Thumbscrew



**M-A** (x4)  
M6x14mm  
Screw



**M-B** (x4)  
M8x16mm  
Screw



**M-C** (x4)  
M6x30mm  
Screw



**M-D** (x4)  
M8x35mm  
Screw



**M-E** (x4)  
M8 Washer



**M-F** (x4)  
Small Spacer



**M-G** (x4)  
Large Spacer



**W-A** (x6)  
ST8x90mm  
Screw



**W-B** (x6)  
Anchor



**W-C** (x6)  
Washer



**T-A** (x1)  
Allen Wrench



**T-B** (x1)  
Wrench



**T-C** (x1)  
Bubble Level

**NOTE:** SOME HARDWARE INCLUDED MAY NOT BE USED

## TOOLS NEEDED



**Drill**



**Phillips  
Screwdriver**



**Socket  
Wrench**



**Pencil**



**Studfinder**

**DO NOT EXCEED WEIGHT CAPACITY.**

Failure to do so may result in serious injury.





## CAUTION!

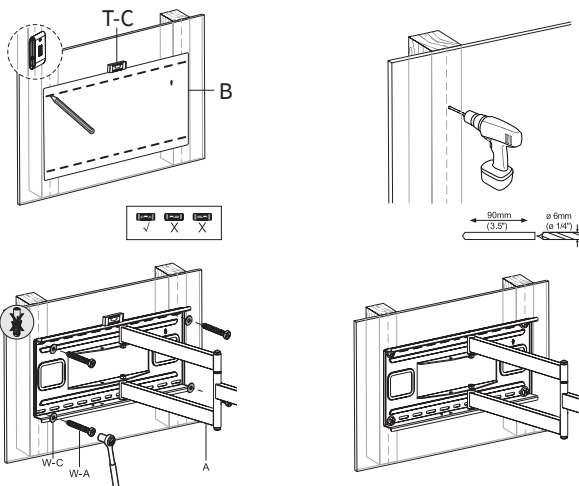
DO NOT INSTALL INTO DRYWALL ALONE. VERIFY YOUR WALL CONSTRUCTION. USE WOOD STUDS TO MOUNT. We include mounting for brick and concrete walls. If unsure, please contact us at vivo-us.com, email at help@vivo-us.com, or call us at 309-278-5303.

## ASSEMBLY STEPS

### STEP 1

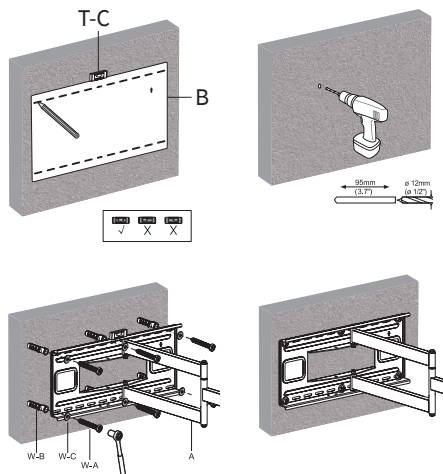
#### OPTION A: WOOD STUD WALL

Using the Template (B) with Bubble Level (T-C), mark drilling locations on the wall. Use of a stud finder is highly recommended. Drill 3.5" (90mm) deep holes using a 1/4" (6mm) drill bit, and secure the Mount (A) to the wall using ST8x90mm Screws (W-A) with Washers (W-C).



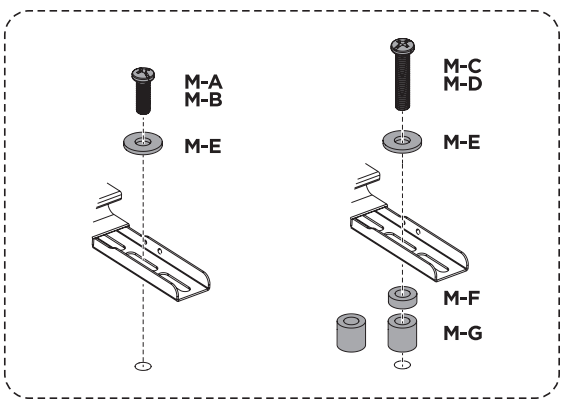
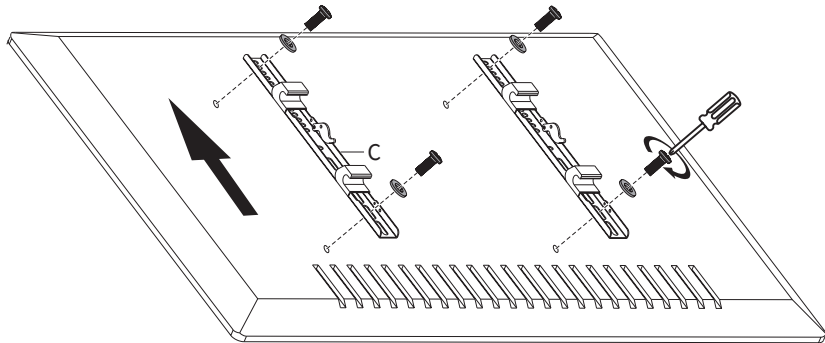
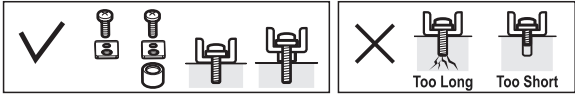
#### OPTION B: BRICK/CONCRETE WALL

Using the Template (B) with Bubble Level (T-C), mark drilling locations on the wall. Drill 3.7" (95mm) deep holes using a 1/2" (12mm) drill bit, press the Anchors (W-B) into the holes, and secure the Mount (A) to the wall using ST8x90mm Screws (W-A) with Washers (W-C).



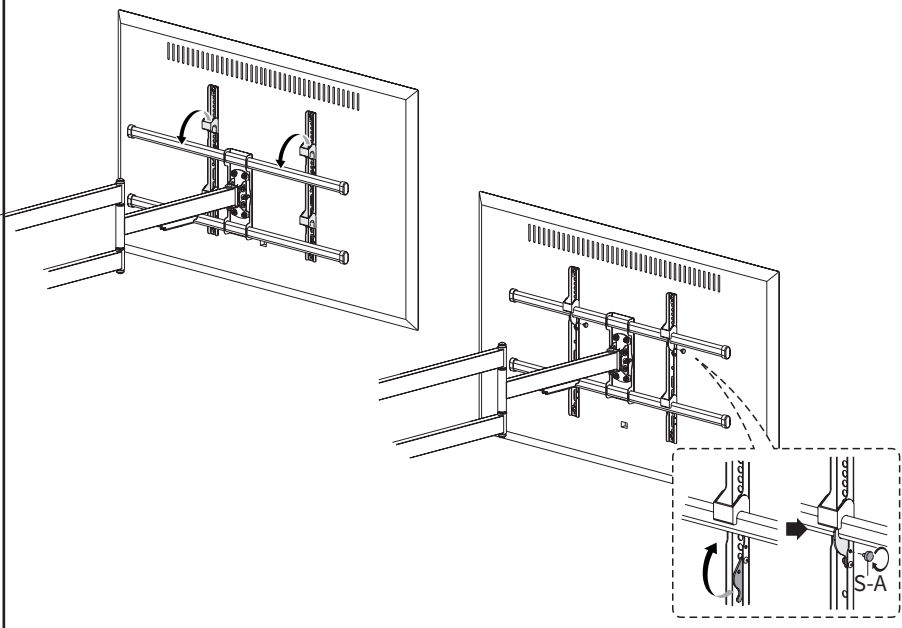
# STEP 2

With the TV face down on a flat surface, secure the VESA Brackets (**C**) to the TV using appropriate Screws (**M-A thru M-D**) and M8 Washers (**M-E**). Use Spacers (**M-F, M-G**) between the TV and brackets if needed. Please note, the hooks must be facing down once installed.



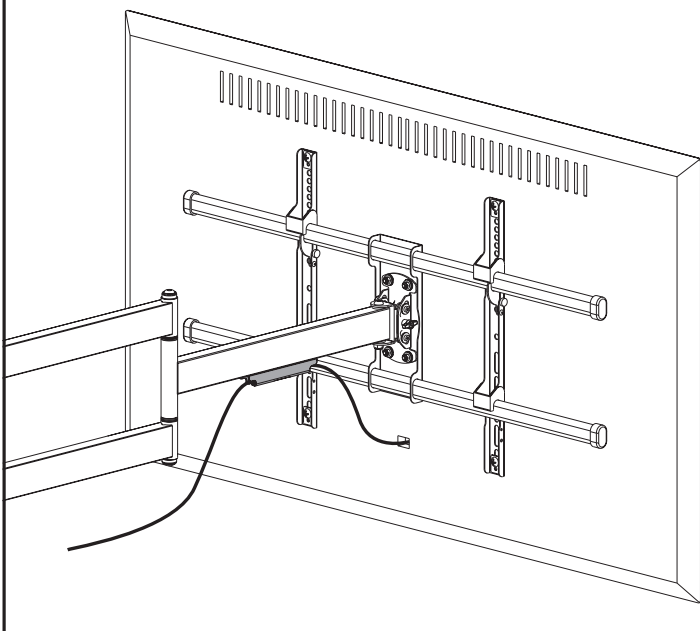
### STEP 3

Hang the TV onto the mount, making sure all 4 hooks are engaged with the horizontal bars. Flip the security bracket on each VESA bracket up, and insert the Thumbscrews (**S-A**) to secure.



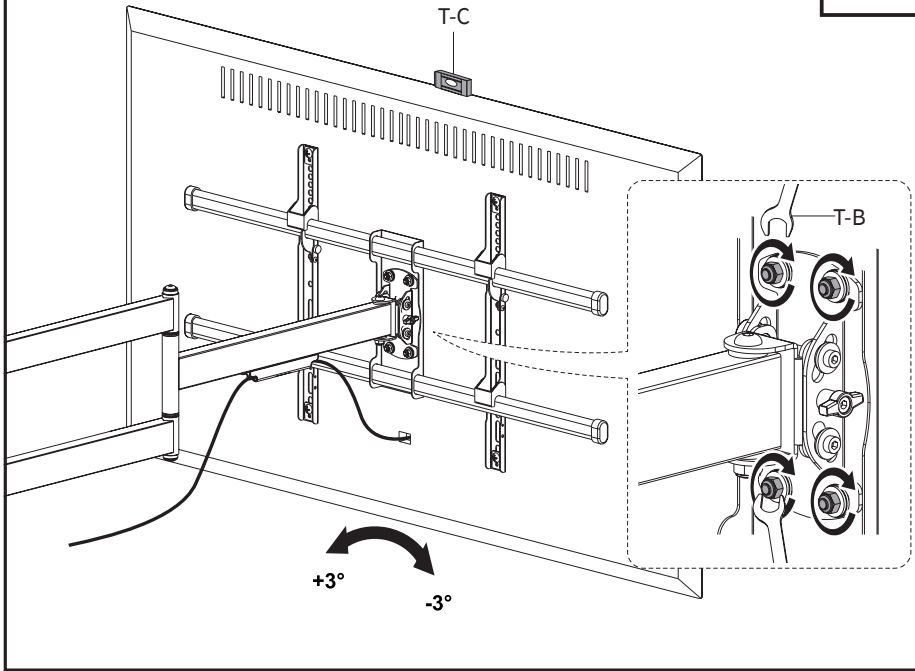
### STEP 4

Route cables through the cable clip on the arm.



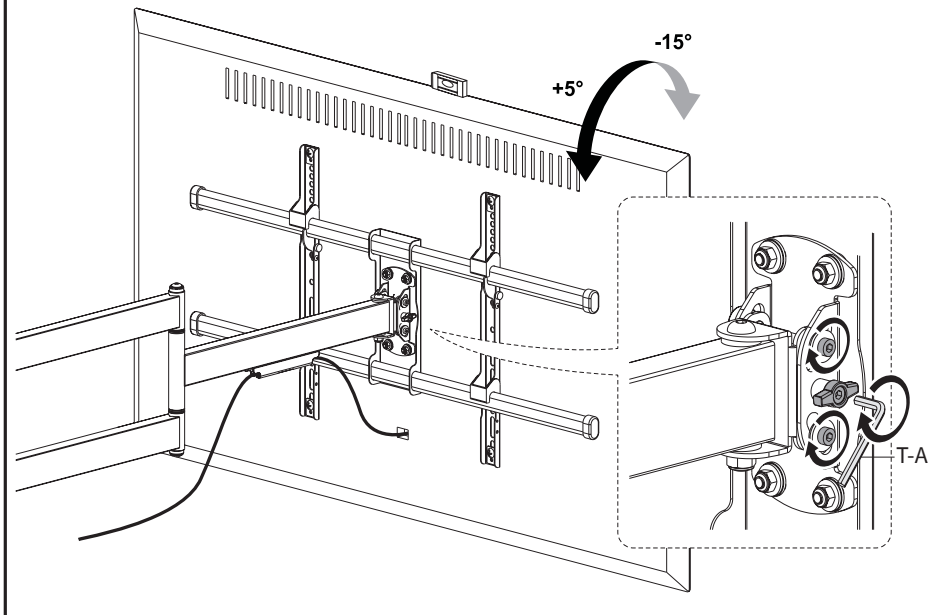
## STEP 5

Adjust the TV leveling if needed by slightly loosening the four nuts in the back with the Wrench (**T-B**). Check TV level using the included Bubble Level (**T-C**), and retighten the nuts.



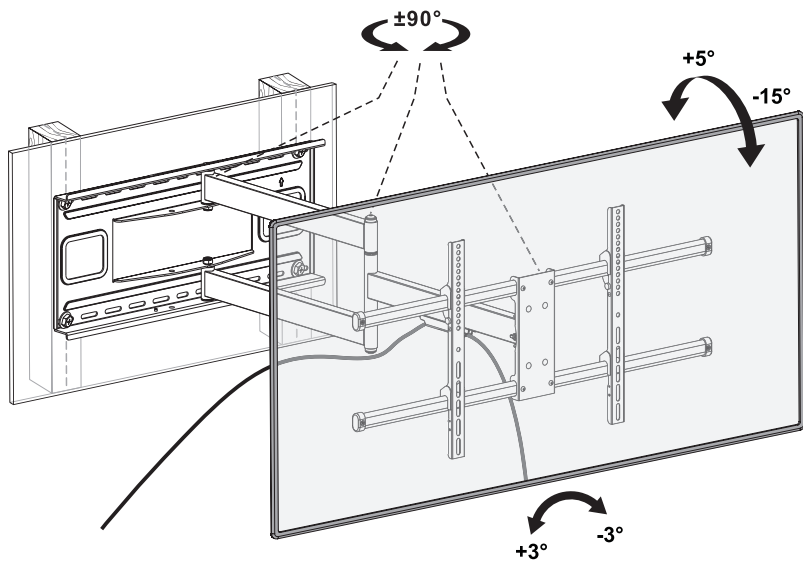
## STEP 6

To adjust the TV tilt angle, slightly loosen the knob and two bolts on the side as shown using the Allen Wrench (**T-A**). Adjust TV tilt angle, then retighten the bolts and knob.



## STEP 7

Adjust the TV position as desired. Please note that when folding the arm back to the wall, the rear arm must be facing to the left and the front arm to the right for the TV to be centered.





Love your new VIVO setup and want to share?  
Tag us in your photo! [@vivo\\_us](#)

LAST UPDATED: 02/13/2023  
REV2



Open **Monday - Friday 7:00am - 7:00pm** CST,  
our dedicated support team can offer immediate assistance with rapid response times. If any parts are received damaged or defective, please contact us. We are happy to replace parts to ensure you have a fully functioning product.



309-278-5303

**AVG. RESOLUTION TIME** (*within office hrs*): **5M 4S**

---



[www.vivo-us.com](http://www.vivo-us.com)

*Chat live with an agent!*

**AVG. RESOLUTION TIME** (*within office hrs*): **< 15 M**

---



[help@vivo-us.com](mailto:help@vivo-us.com)

**AVG. RESPONSE TIME** (*within office hrs*): **1HR 8M**

- 23% within < 15m
- 38% within < 30m
- 61% within < 1hr
- 83% within < 2hr
- 92% within < 3hr

FOR MORE VIVO PRODUCTS, CHECK OUT OUR WEBSITE AT: [www.vivo-us.com](http://www.vivo-us.com)