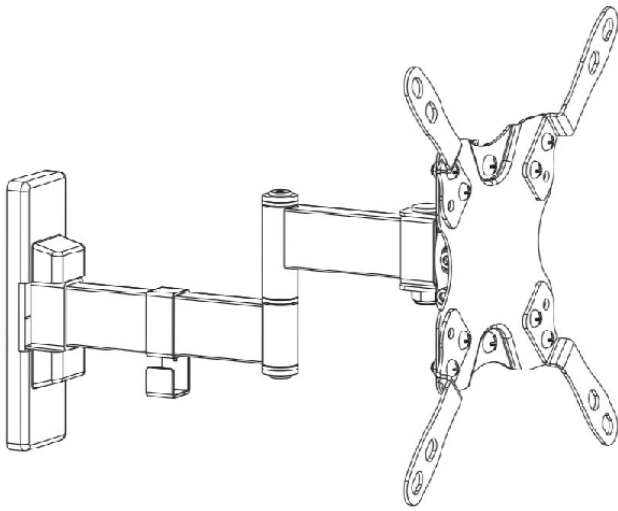


---

## TV Wall Mount

### Instruction Manual



**SKU: MOUNT-VW06**



Scan the QR code with your mobile device or follow the link for helpful videos and specifications related to this product.

<https://vivo-us.com/products/mount-vw06>

---

GET IN TOUCH | Monday-Friday from 7:00am-7:00pm CST



help@vivo-us.com



www.vivo-us.com  
*Chat live with an agent!*

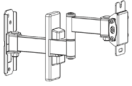


309-278-5303

# ⚠️ WARNING!

If you do not understand these directions, or if you have any doubts about the safety of the installation, please call a qualified technician. Check carefully to make sure there are no missing or defective parts. Improper installation may cause damage or serious injury. Do not use this product for any purpose that is not explicitly specified in this manual. Do not exceed weight capacity. We cannot be liable for damage or injury caused by improper mounting, incorrect assembly or inappropriate use.

## PACKAGE CONTENTS



**A (x1)**  
Mount



**B (x1)**  
VESAs Plate



**C (x2)**  
VESAs Adapter



**D (x2)**  
VESAs Adapter



**E (x1)**  
Wrench



**F (x1)**  
Cable Clip



**G (x1)**  
Allen Wrench



**H (x8)**  
Nut



**I (x8)**  
Bolt



**J (x2)**  
Nut



**M-A (x4)**  
M4x14



**M-B (x4)**  
M5x14



**M-C (x4)**  
M6x14



**M-D (x4)**  
M8x20



**M-E (x4)**  
D5 Washer



**M-F (x4)**  
D8 Washer



**M-G (x8)**  
Spacer



**W-A (x3)**  
Bolt



**W-B (x3)**  
Anchor



**W-C (x3)**  
Washer

**NOTE:** NOT ALL HARDWARE INCLUDED WILL BE USED

## ⚠️ CAUTION!

DO NOT INSTALL INTO DRYWALL ALONE. VERIFY YOUR WALL CONSTRUCTION. USE WOOD STUDS TO MOUNT. We include mounting for brick and concrete walls. If unsure, please contact us at vivo-us.com, email at help@vivo-us.com, or call us at 309-278-5303.

## ⚠️ WARNING: CHOKING HAZARD

SMALL PARTS - NOT FOR CHILDREN UNDER 3 YEARS.  
ADULT SUPERVISION IS REQUIRED.

DO NOT EXCEED WEIGHT CAPACITY.

Failure to do so may result in serious injury.



## TOOLS NEEDED



Drill



Phillips  
Screwdriver



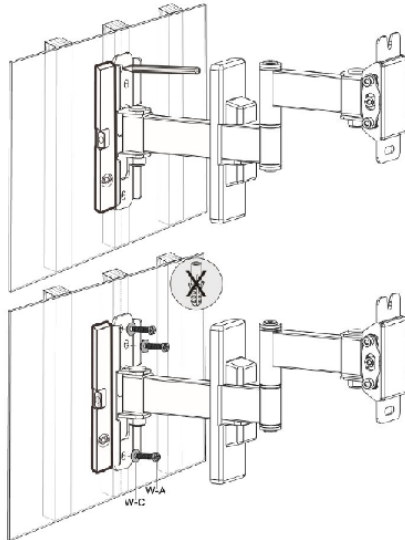
Pencil

# ASSEMBLY STEPS

## STEP 1

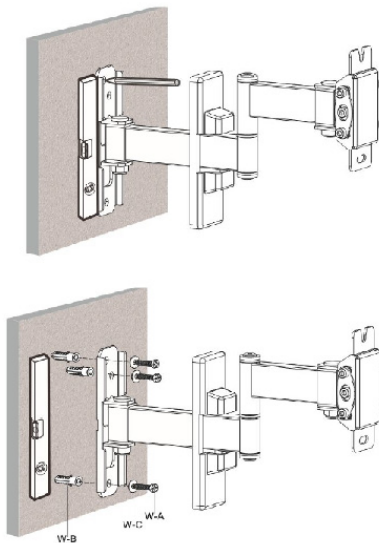
### OPTION A: Wood Wall

Use mount (A) to mark mounting holes on wall where stud is located. Using a 3/16" bit, drill approximately 2.2" into marked locations. Secure mount (A) to wall using bolts (W-A) and washers (W-C).



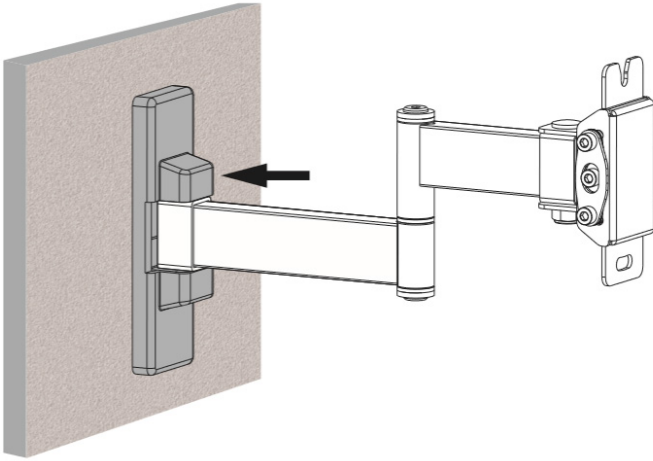
### OPTION B: Concrete/Brick Wall

Use mount (A) to mark mounting holes on wall. Using a 3/8" bit, drill approximately 2.4" into marked locations. Secure mount (A) to wall using anchors (W-B) bolts (W-A) and washers (W-C).



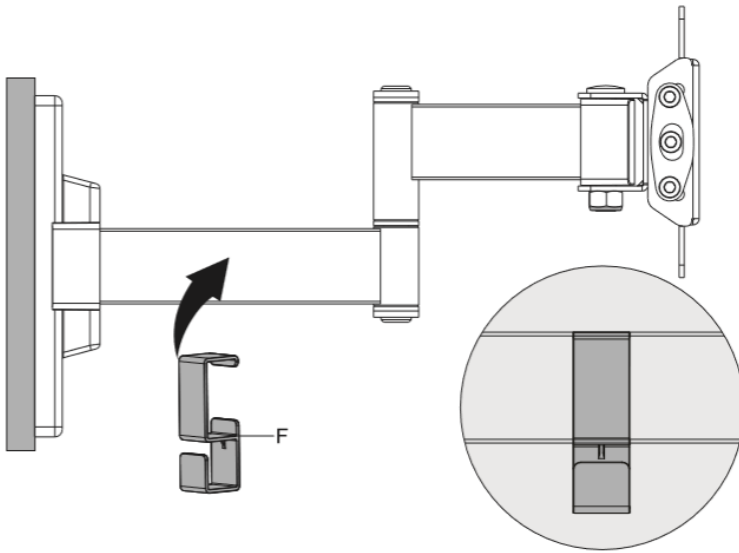
## STEP 2

Attach plastic cover to mount (A).



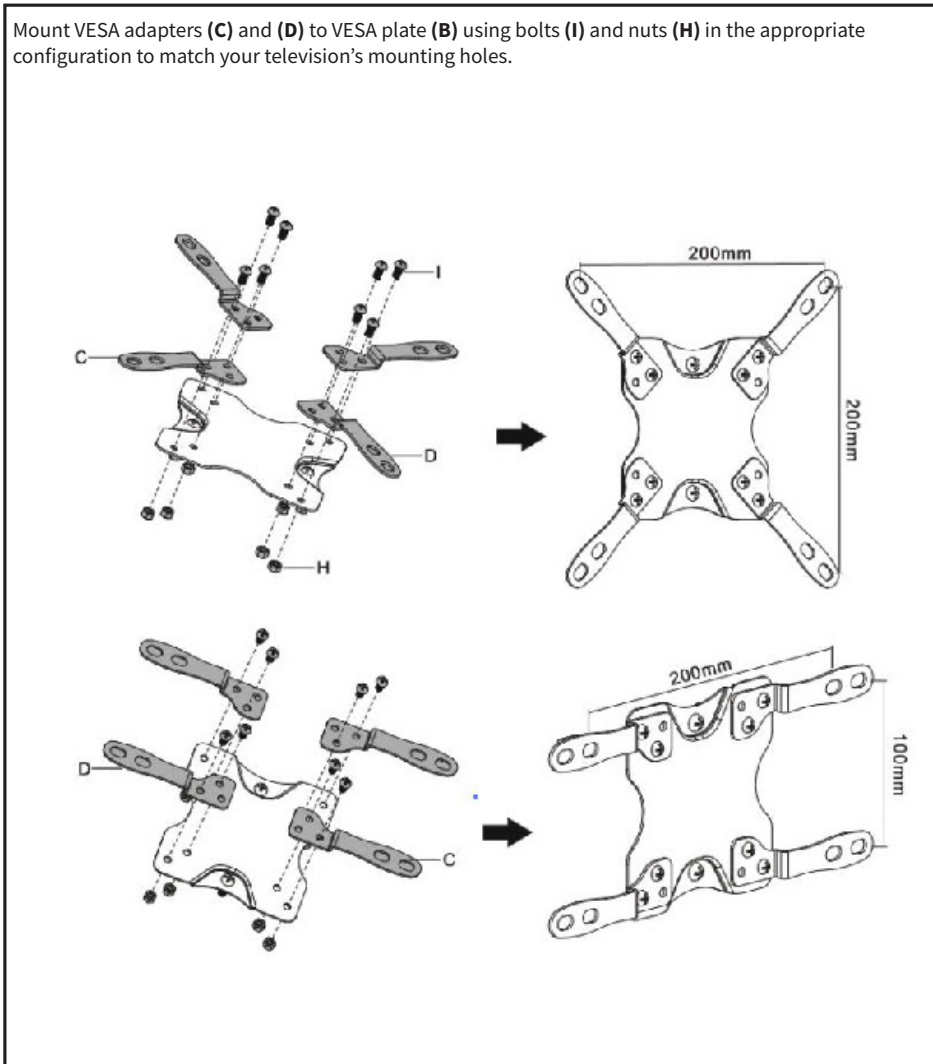
## STEP 3

Attach cable management clip (F) as shown in diagram.



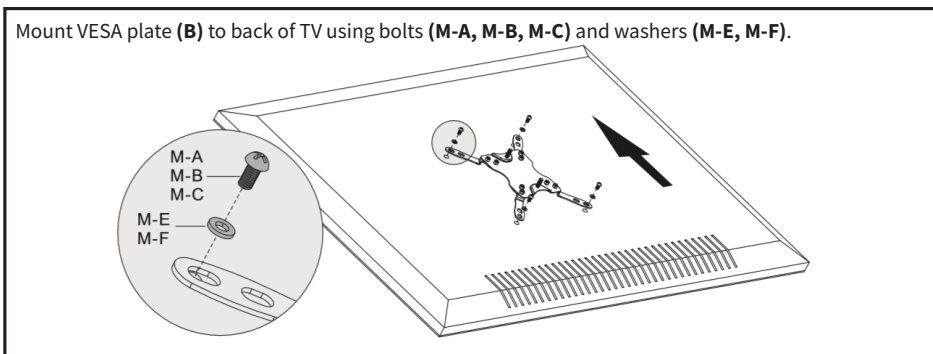
## STEP 4

Mount VESA adapters **(C)** and **(D)** to VESA plate **(B)** using bolts **(I)** and nuts **(H)** in the appropriate configuration to match your television's mounting holes.



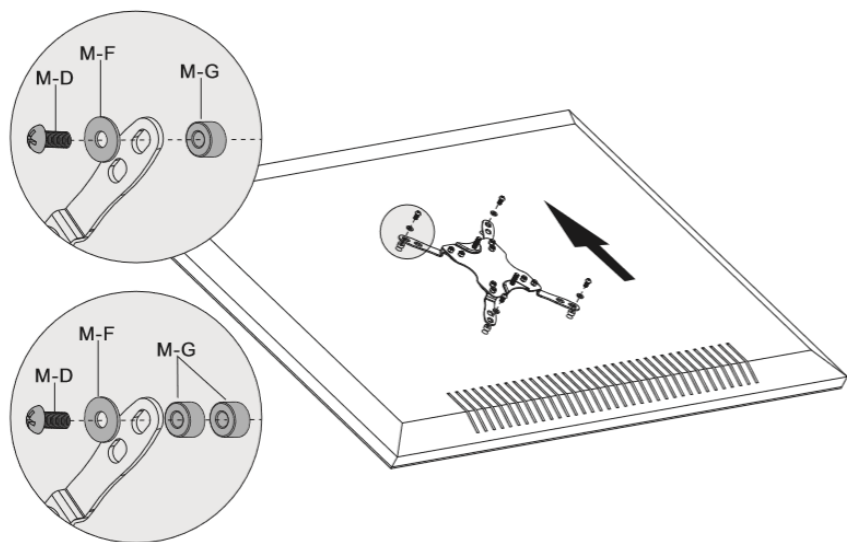
## STEP 5

Mount VESA plate **(B)** to back of TV using bolts **(M-A, M-B, M-C)** and washers **(M-E, M-F)**.



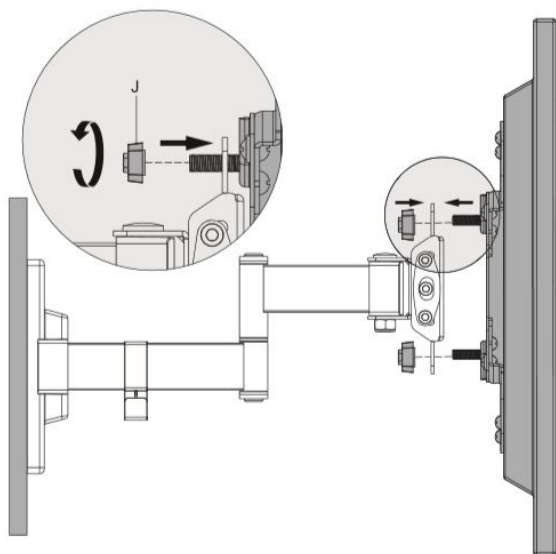
## STEP 5 (Continued)

If bolts are too long, spacers (**M-G**) may be required as shown in diagram.



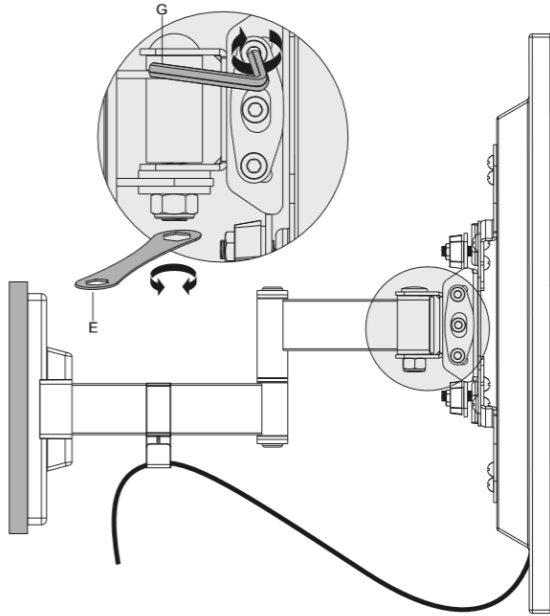
## STEP 6

Attach TV to mount (**A**) using nuts (**J**).

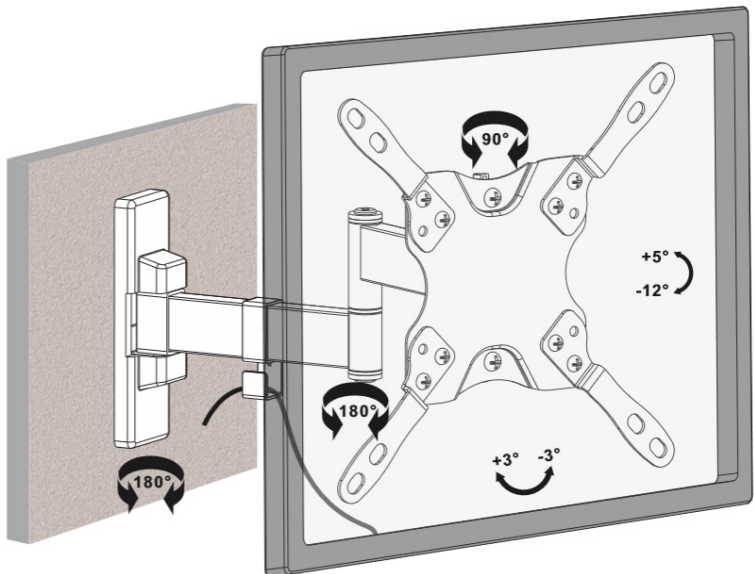


## STEP 7

Adjust mount (A) using allen wrench (G) and wrench (E).



Adjust as Desired





Open **Monday - Friday 7:00am - 7:00pm** CST,  
our dedicated support team can offer immediate assistance with rapid response times. If any parts are received damaged or defective, please contact us. We are happy to replace parts to ensure you have a fully functioning product.


 [help@vivo-us.com](mailto:help@vivo-us.com)

**AVG. RESPONSE TIME** (*within office hrs*): **1HR 8M**

- 23% within < 15m
- 38% within < 30m
- 61% within < 1hr
- 83% within < 2hr
- 92% within < 3hr

 [www.vivo-us.com](http://www.vivo-us.com)  
*Chat live with an agent!*

**AVG. RESOLUTION TIME** (*within office hrs*): **< 15 M**

 309-278-5303

**AVG. RESOLUTION TIME** (*within office hrs*): **5M 4S**