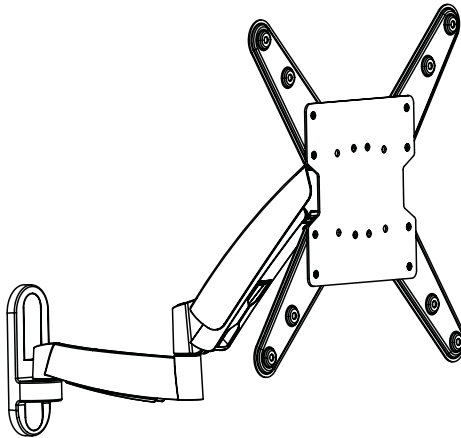




Silver Pneumatic Arm TV Wall Mount

Instruction Manual



SKU: MOUNT-VW04G



Scan the QR code with your mobile device or follow the link for helpful videos and specifications related to this product.

<https://vivo-us.com/products/mount-vw04g>

GET IN TOUCH | Monday-Friday from 7:00am-7:00pm CST



help@vivo-us.com



www.vivo-us.com
Chat live with an agent!

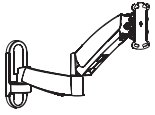


309-278-5303

WARNING!

If you do not understand these directions, or if you have any doubts about the safety of the installation, please call a qualified technician. Check carefully to make sure there are no missing or defective parts. Improper installation may cause damage or serious injury. Do not use this product for any purpose that is not explicitly specified in this manual. Do not exceed weight capacity. We cannot be liable for damage or injury caused by improper mounting, incorrect assembly or inappropriate use.

PACKAGE CONTENTS



A (x1)
Arm



B (x1)
VESA Plate



C (x2)
VESA Adapter
Extension



D (x2)
VESA Adapter
Extension



E (x2)
Wingnut



F (x8)
M6x10



G (x1)
4mm Allen
Wrench



H (x1)
6mm Allen
Wrench



I (x1)
Wrench



M-A (x4)
M5x14



M-B (x4)
M6x14



M-C (x4)
M6x30



M-D (x4)
M8x30



M-E (x4)
M8x50



M-F (x4)
D5 Washer



M-G (x4)
D8 Washer



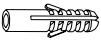
M-H (x8)
5mm
Spacer



M-I (x8)
15mm
Spacer



W-A (x3)
Bolt



W-B (x3)
Anchor

NOTE: NOT ALL HARDWARE INCLUDED WILL BE USED

CAUTION!

DO NOT INSTALL INTO DRYWALL ALONE. VERIFY YOUR WALL CONSTRUCTION. USE WOOD STUDS TO MOUNT. We include mounting for brick and concrete walls. If unsure, please contact us at vivo-us.com, email at help@vivo-us.com, or call us at 309-278-5303.

DO NOT EXCEED WEIGHT CAPACITY.  **5.5 - 44lbs**
(2.5 - 20kg)
Failure to do so may result in serious injury.

WARNING: CHOKING HAZARD

SMALL PARTS - NOT FOR CHILDREN UNDER 3 YEARS. ADULT SUPERVISION IS REQUIRED.

TOOLS NEEDED



Drill



Phillips
Screwdriver

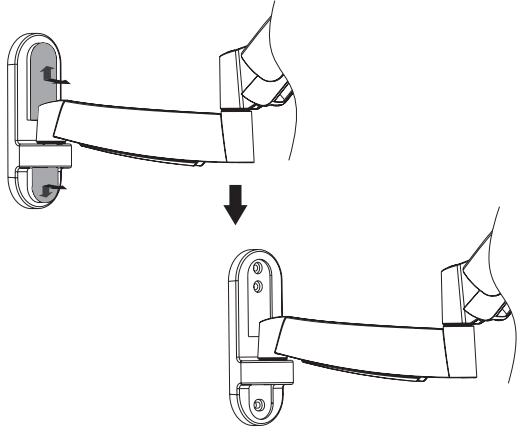


Pencil

ASSEMBLY STEPS

STEP 1

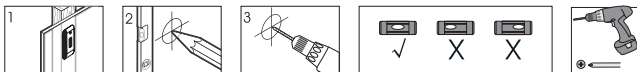
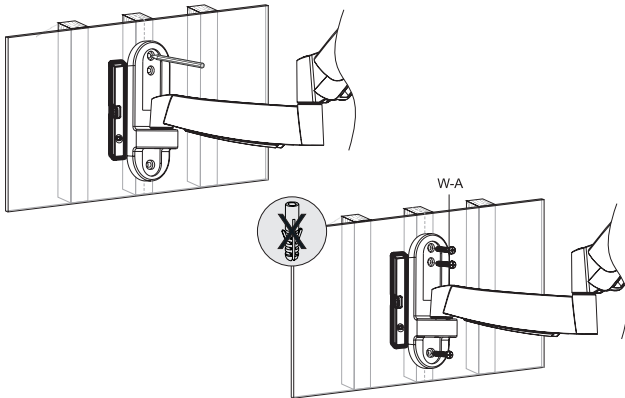
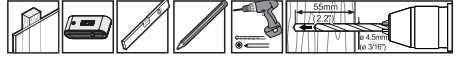
Remove plastic covers from wall mount bracket on arm (A).



STEP 2

OPTION A: Wood Wall Installation

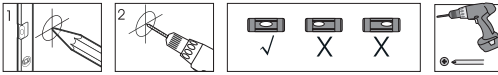
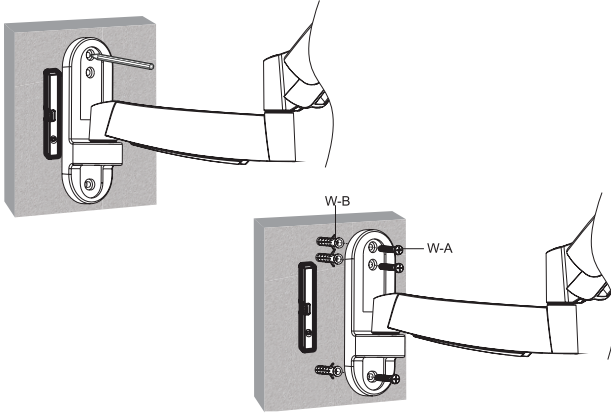
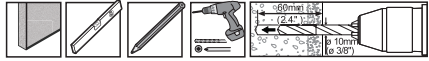
Use arm (A) with a bubble level to mark drilling locations on wall where stud is located, and drill 2.2" deep holes using 3/16" bit. Use of a stud finder is recommended. Mount arm to wall using screws (W-A). Do not use (W-B) anchors for wood stud installation.



STEP 2 (Continued)

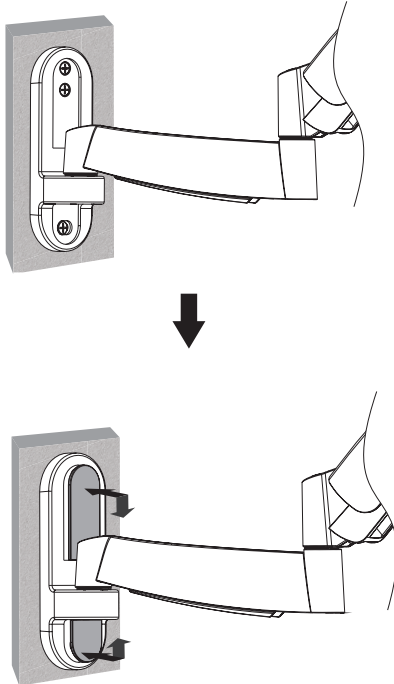
OPTION B: Concrete/Brick Wall Installation

Use arm (A) with a bubble level to mark drilling locations on wall, and drill 2.4" deep holes using a 3/8" bit. Mount arm to wall using screws (W-A) and anchors (W-B).



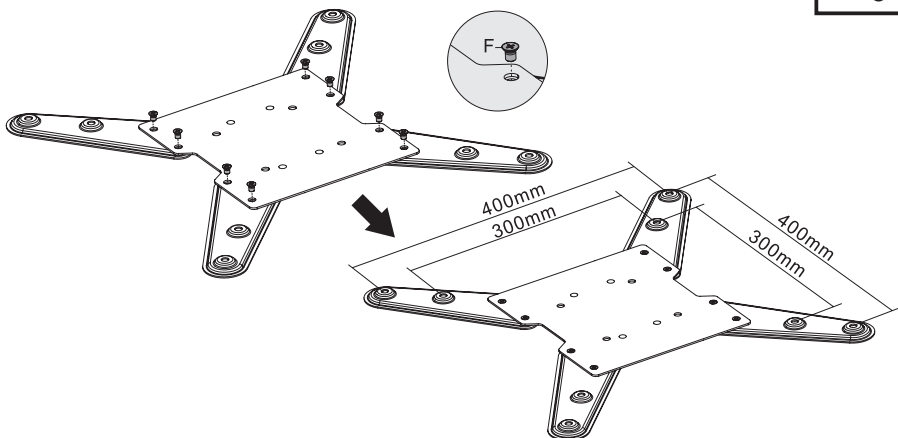
STEP 3

Reattach plastic covers.

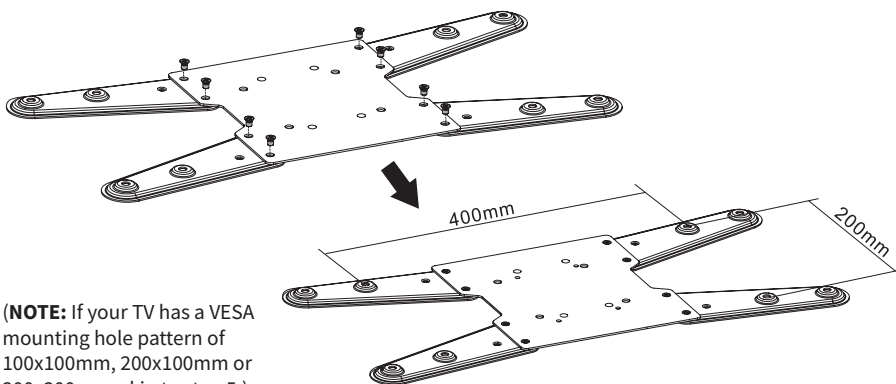


STEP 4

For VESA 300x300 and 400x400 TV mounting hole patterns, attach extensions **(C, D)** to VESA plate **(B)** in X pattern using M6x10mm bolts **(F)**.



For VESA 400x200 TV mounting hole patterns, attach extensions **(C, D)** to VESA plate **(B)** in horizontal pattern using M6x10mm bolts **(F)**.

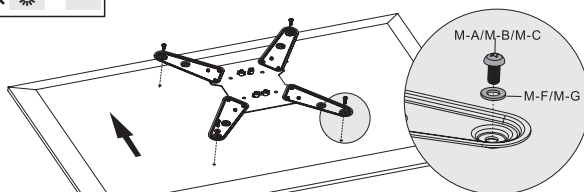


(NOTE: If your TV has a VESA mounting hole pattern of 100x100mm, 200x100mm or 200x200mm, skip to step 5.)

STEP 5

OPTION A: Flat Back TV

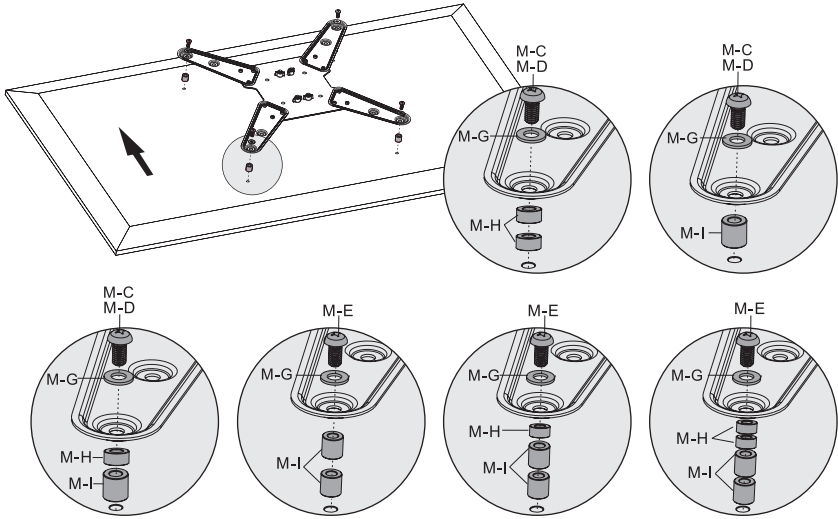
With TV face down on a flat surface, secure VESA plate to the TV using bolts **(M-A, M-B, M-C)** and washers **(M-F, M-G)**.



STEP 5 (Continued)

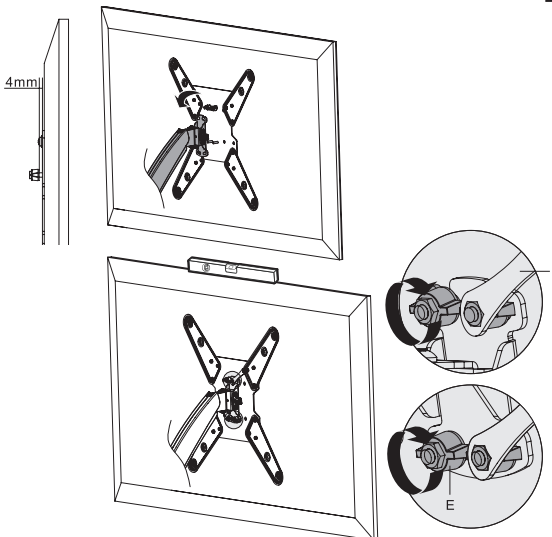
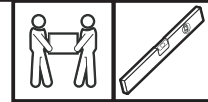
OPTION B: Curved/Recessed Back TV

With TV face down on a flat surface, secure VESA plate to the TV using bolts (**M-C**, **M-D**, **M-E**), spacers (**M-H**, **M-I**) and washers (**M-G**).



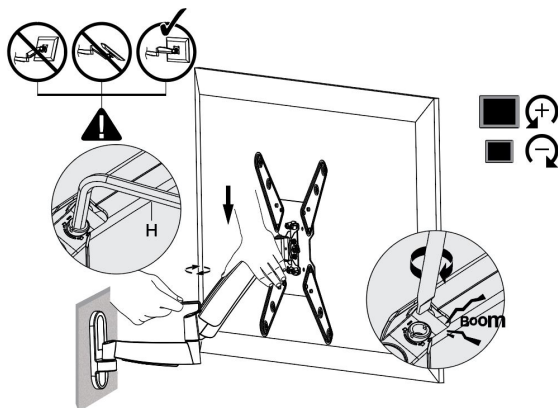
STEP 6

Loosen wingnuts on VESA plate to make sure there is 4mm of space between wing nuts and VESA plate. Hang TV on arm, and secure with wing nuts (**E**). Tighten with wrench (**I**).



STEP 7

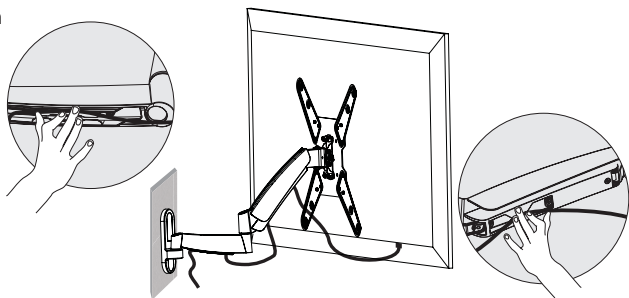
To adjust gas spring lift strength, turn the screw on the top of the center joint using 6mm Allen wrench (**H**). Clockwise will reduce strength, and counter-clockwise will increase (screw turns most easily when arm is facing straight forward).



NOTE: If the mount makes a popping noise when raising or lowering, tighten the socket set screw on top of the adjustment screw using a large flat-blade screwdriver.

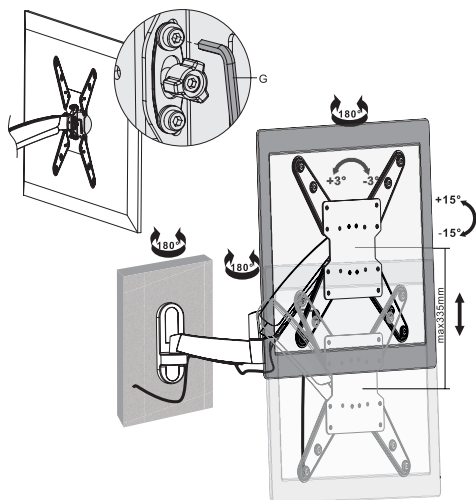
STEP 8

Manage cables with the built in cable management system.



STEP 9

Adjust tilt joint using 4mm Allen wrench (**G**). Position the TV for optimal viewing.





Open **Monday - Friday 7:00am - 7:00pm** CST,
our dedicated support team can offer immediate assistance with rapid response times. If any parts are received damaged or defective, please contact us. We are happy to replace parts to ensure you have a fully functioning product.


 help@vivo-us.com

AVG. RESPONSE TIME (*within office hrs*): **1HR 8M**

- 23% within < 15m
- 38% within < 30m
- 61% within < 1hr
- 83% within < 2hr
- 92% within < 3hr

 www.vivo-us.com
Chat live with an agent!

AVG. RESOLUTION TIME (*within office hrs*): **< 15 M**

 309-278-5303

AVG. RESOLUTION TIME (*within office hrs*): **5M 4S**