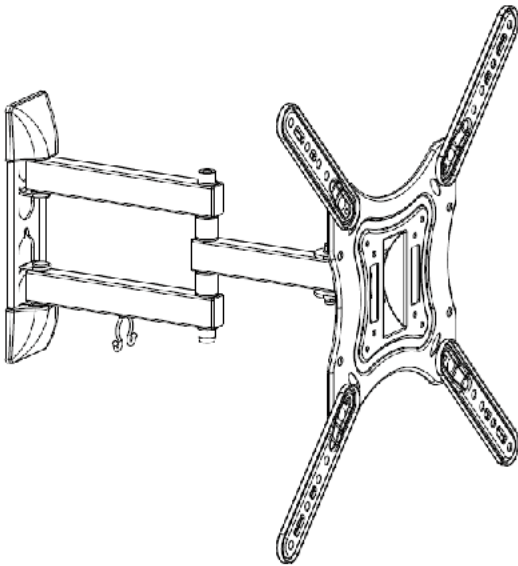




TV Wall Mount 75x75mm to 400x400mm Instruction Manual



SKU: MOUNT-VW01E



Scan the QR code with your mobile device or follow the link for helpful videos and specifications related to this product.

<https://vivo-us.com/products/mount-vw01e>

GET IN TOUCH | Monday-Friday from 7:00am-7:00pm CST



help@vivo-us.com



www.vivo-us.com
Chat live with an agent!

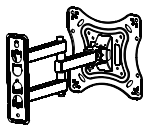


309-278-5303

WARNING!

If you do not understand these directions, or if you have any doubts about the safety of the installation, please call a qualified technician. Check carefully to make sure there are no missing or defective parts. Improper installation may cause damage or serious injury. Do not use this product for any purpose that is not explicitly specified in this manual. Do not exceed weight capacity. We cannot be liable for damage or injury caused by improper mounting, incorrect assembly or inappropriate use.

PACKAGE CONTENTS



A (x1)
Mount



B (x2)
Plastic Cover



C (x1)
Cable Clip



D (x4)
VESA Adapter



S-A (x4)
M6x15mm
Screw



S-B (x4)
M6 Nut



M-A (x4)
M6x14



M-B (x4)
M8x20



M-C (x4)
Spacer



W-A (x3)
Screw



W-B (x3)
Anchor



W-C (x1)
Washer

NOTE: NOT ALL HARDWARE INCLUDED WILL BE USED

CAUTION!

DO NOT INSTALL INTO DRYWALL ALONE. VERIFY YOUR WALL CONSTRUCTION. USE WOOD STUDS TO MOUNT. We include mounting for brick and concrete walls. If unsure, please contact us at vivo-us.com, email at help@vivo-us.com, or call us at 309-278-5303.

TOOLS NEEDED



Drill



**Phillips
Screwdriver**

DO NOT EXCEED WEIGHT CAPACITY.

Failure to do so may result in serious injury.



WARNING: CHOKING HAZARD

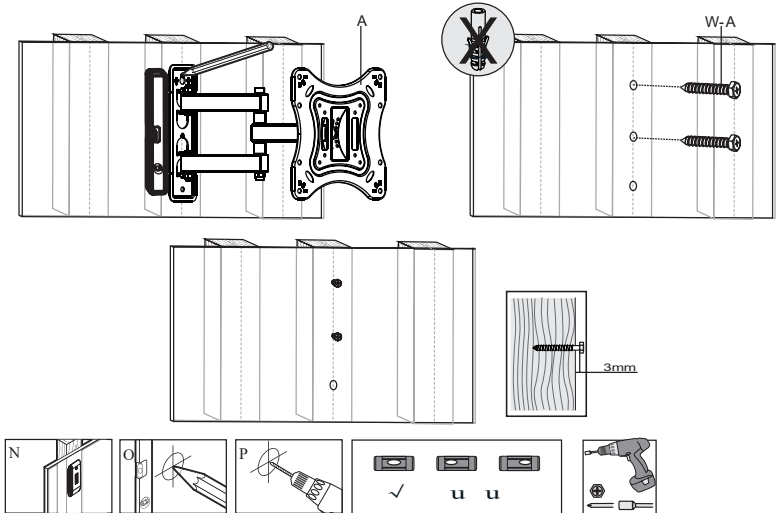
SMALL PARTS - NOT FOR CHILDREN UNDER 3 YEARS. ADULT SUPERVISION IS REQUIRED.

ASSEMBLY STEPS

STEP 1

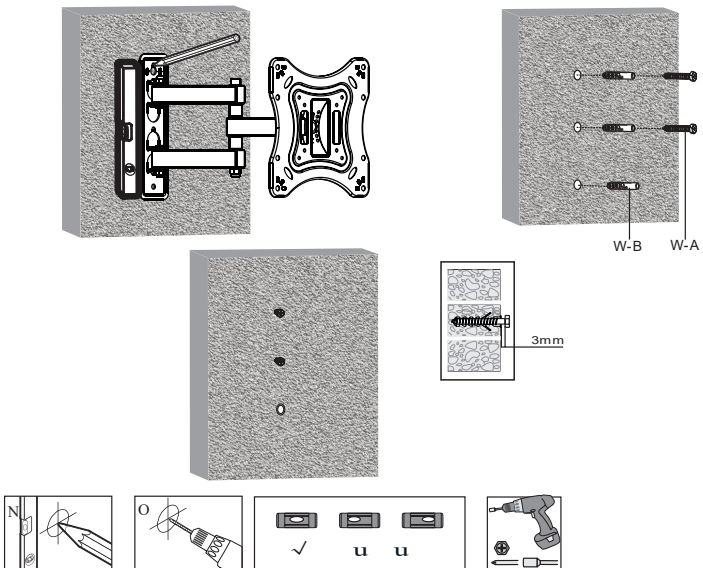
OPTION A: Wood Wall

Use Mount (A) to mark mounting holes on wall where stud is located. Using a 3/16" bit, drill approximately 2.2" into marked locations. Screw top two Screws (W-A), making sure to leave 3mm of threads exposed.



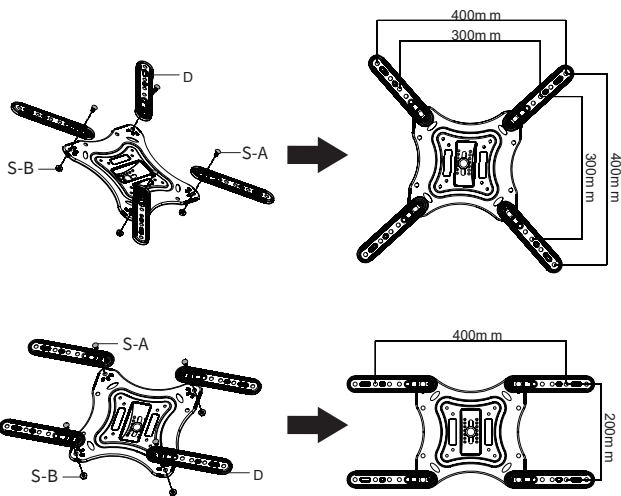
OPTION B: Concrete/Brick Wall

Use Mount (A) to mark mounting holes on wall. Using a 3/8" bit, drill approximately 2.4" into marked locations. Insert Wall Anchors (W-B) and screw in top two Screws (W-A), making sure to leave 3mm of threads exposed.



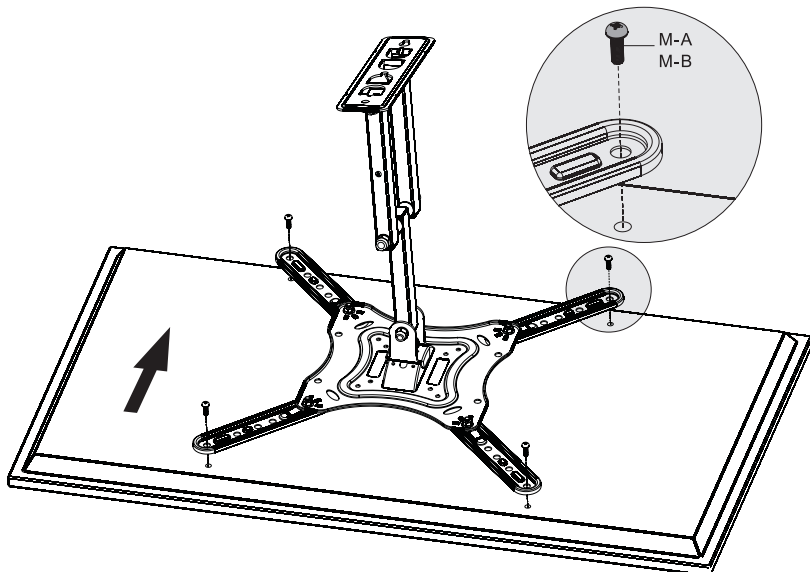
STEP 2

Mount VESA Adapters (**D**) to VESA Plate using M6x15mm Screws (**S-A**) and M6 Nuts (**S-B**) in the appropriate configuration to match your television mounting holes.



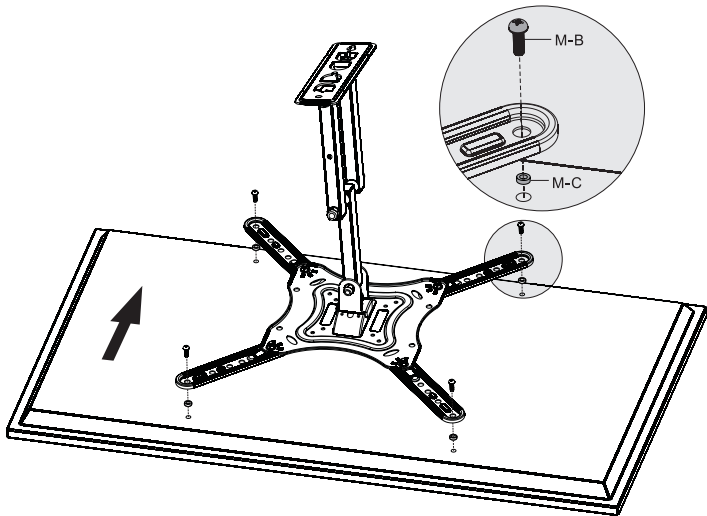
STEP 3

After placing TV on a flat surface, mount VESA Plate (**B**) to back using appropriate Screws (**M-A or M-B**). Make sure top of the mount is facing the top of the TV.



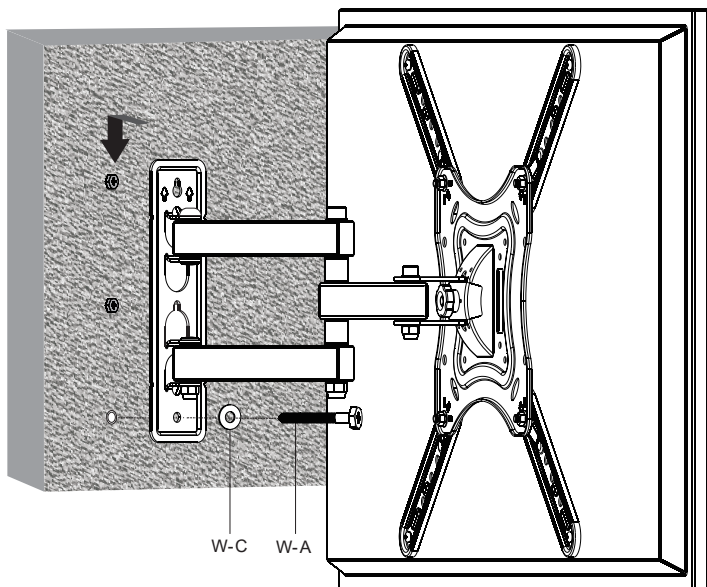
STEP 3 (Continued)

If Screws are too long, Spacers (**M-C**) may be required. Attach mount to TV with appropriate Screws and Spacers.



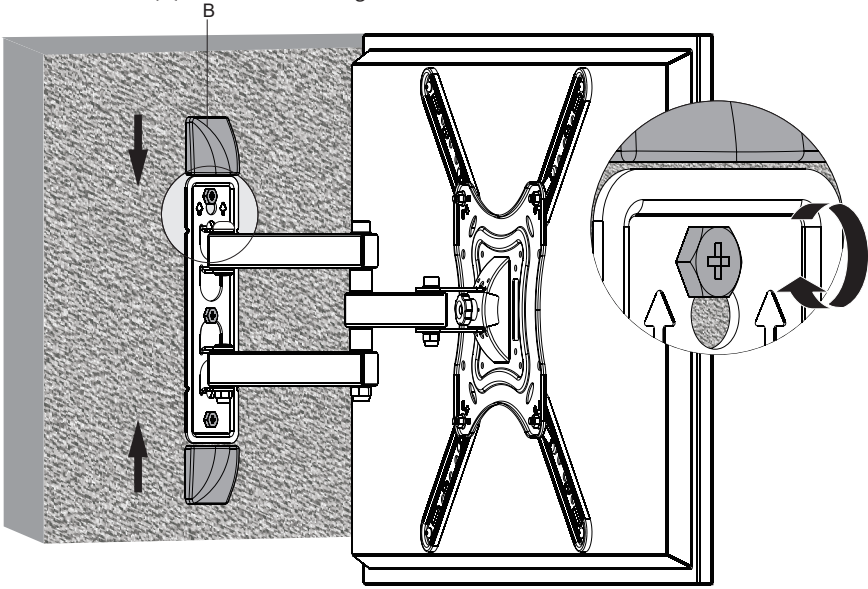
STEP 4

Slide Mount (**A**) over two Screws (**W-A**) already inserted into wall and insert third Screw and Washer (**W-C**) into bottom hole. Tighten using philips head screwdriver.



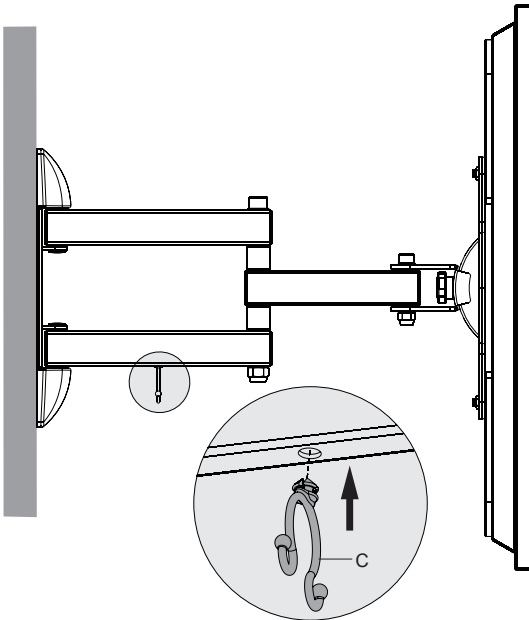
STEP 5

Insert Plastic covers **(B)** as shown in the diagram.



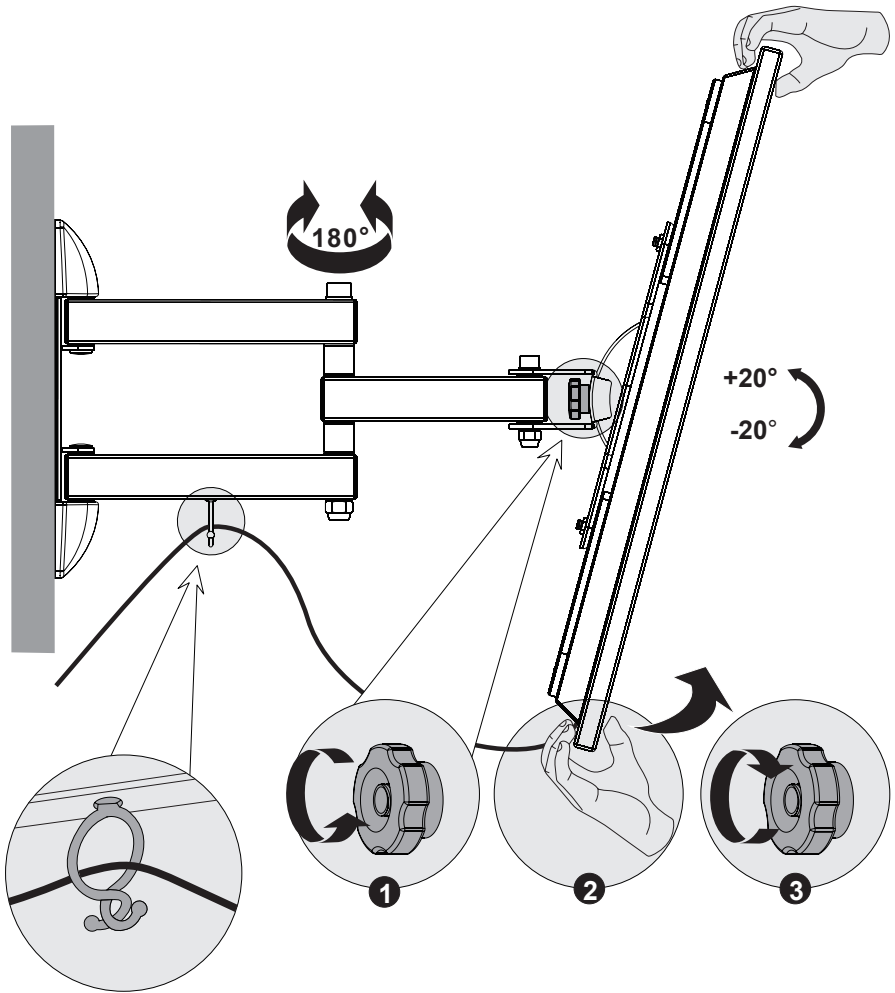
STEP 6

Attach Cable Clip **(C)** to bottom of Mount **(A)**.



STEP 7

Run cables through Cable Clip (C) and adjust monitor to desired angle as shown in the diagram.





Love your new VIVO setup and want to share?
Tag us in your photo! [@vivo_us](#)

LAST UPDATED: 02/13/2023
REV2



Open **Monday - Friday 7:00am - 7:00pm** CST,
our dedicated support team can offer immediate assistance with rapid response times. If any parts are received damaged or defective, please contact us. We are happy to replace parts to ensure you have a fully functioning product.



309-278-5303

AVG. RESOLUTION TIME (*within office hrs*): **5M 4S**



www.vivo-us.com

Chat live with an agent!

AVG. RESOLUTION TIME (*within office hrs*): **< 15 M**



help@vivo-us.com

AVG. RESPONSE TIME (*within office hrs*): **1HR 8M**

- 23% within < 15m
- 38% within < 30m
- 61% within < 1hr
- 83% within < 2hr
- 92% within < 3hr

FOR MORE VIVO PRODUCTS, CHECK OUT OUR WEBSITE AT: www.vivo-us.com