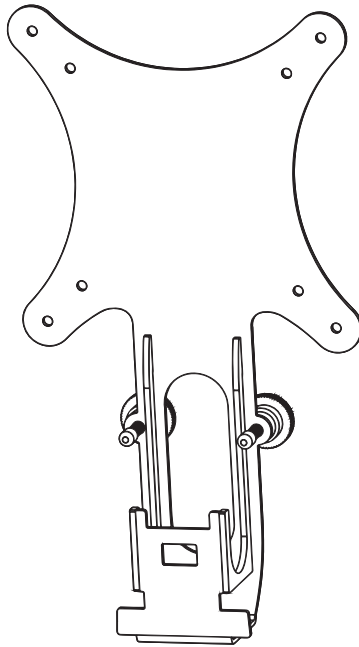




---

## VESA Adapter for Compatible Viotek Monitors

### Instruction Manual



**SKU: MOUNT-VTK1**



Scan the QR code with your mobile device or follow the link for helpful videos and specifications related to this product.

<https://vivo-us.com/products/mount-vtk1>

---

**GET IN TOUCH** | Monday-Friday from 7:00am-7:00pm CST



help@vivo-us.com



www.vivo-us.com  
*Chat live with an agent!*



309-278-5303

**⚠ WARNING!**

If you do not understand these directions, or if you have any doubts about the safety of the installation, please call a qualified technician. Check carefully to make sure there are no missing or defective parts. Improper installation may cause damage or serious injury. Do not use this product for any purpose that is not explicitly specified in this manual. Do not exceed weight capacity. We cannot be liable for damage or injury caused by improper mounting, incorrect assembly or inappropriate use.

**⚠ WARNING: CHOKING HAZARD**

SMALL PARTS - NOT FOR CHILDREN UNDER 3 YEARS. ADULT SUPERVISION IS REQUIRED.

**PACKAGE CONTENTS**



**A (x1)**  
VESA Adapter



**S-A (x2)**  
M4x22mm Thumbscrew

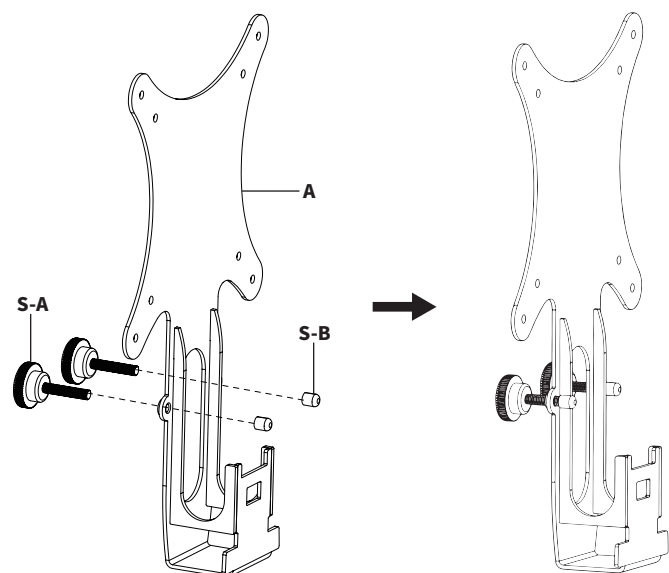


**S-B (x2)**  
M4 Caps

**ASSEMBLY STEPS**

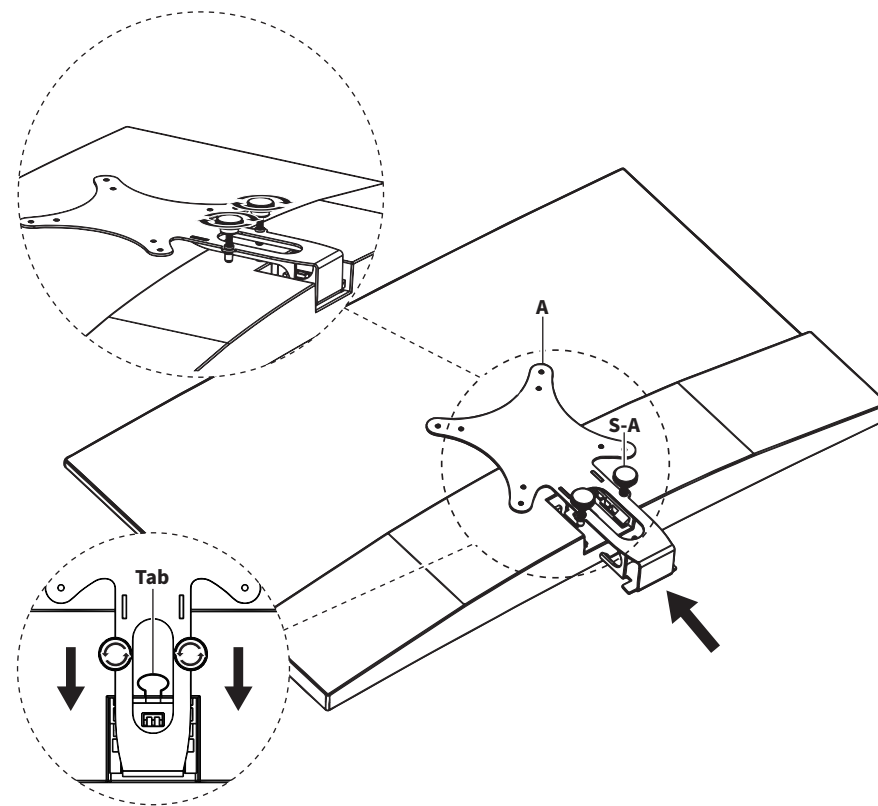
**STEP 1**

Thread M4x22mm Thumbscrews (**S-A**) into VESA Adapter (**A**) just far enough to attach M4 Caps (**S-B**).



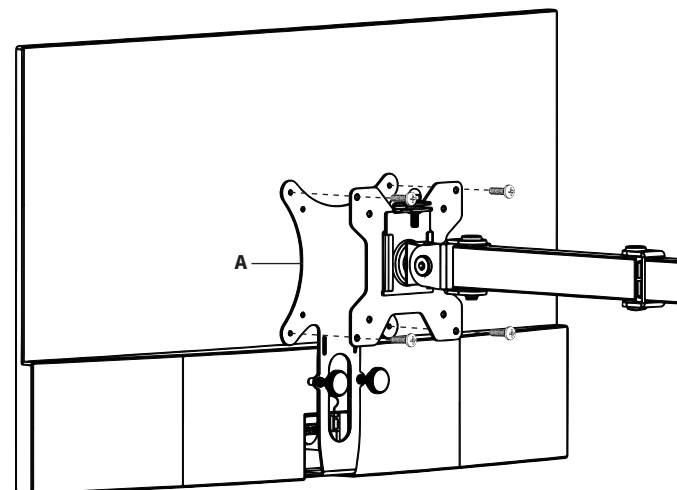
**STEP 2**

Slide VESA Adapter (**A**) into the opening in the back of the monitor until it clicks into place. Tighten M4x22mm Thumbscrews (**S-A**) to secure it in place. To remove VESA Adapter (**A**), loosen M4x22mm Thumbscrews (**S-A**), then press the tab on the back of the monitor to slide VESA Adapter (**A**) off.



**STEP 3**

Assemble VESA Adapter (**A**) to your mount or stand using the existing hardware (Not included).





Open **Monday - Friday 7:00am - 7:00pm** CST,  
our dedicated support team can offer immediate assistance with rapid response times. If any parts are received damaged or defective, please contact us. We are happy to replace parts to ensure you have a fully functioning product.



309-278-5303

**AVG. RESOLUTION TIME** (*within office hrs*): **5M 4S**



[www.vivo-us.com](http://www.vivo-us.com)  
*Chat live with an agent!*

**AVG. RESOLUTION TIME** (*within office hrs*): **< 15 M**



[help@vivo-us.com](mailto:help@vivo-us.com)

**AVG. RESPONSE TIME** (*within office hrs*): **1HR 8M**

- 23% within < 15m
- 38% within < 30m
- 61% within < 1hr
- 83% within < 2hr
- 92% within < 3hr