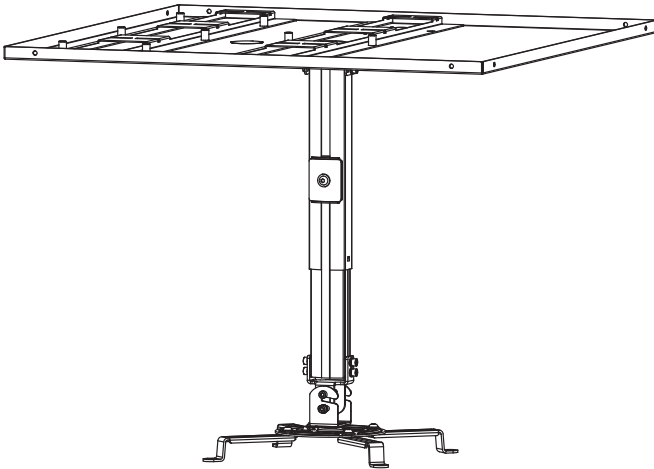




---

## White Extending Universal Drop Ceiling Projector Mount

Instruction Manual



**SKU: MOUNT-VP08DP**



Scan the QR code with your mobile device or follow the link for helpful videos and specifications related to this product.

<https://vivo-us.com/products/mount-vp08dp>

---

GET IN TOUCH | Monday-Friday from 7:00am-7:00pm CST



help@vivo-us.com



www.vivo-us.com  
*Chat live with an agent!*



309-278-5303

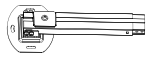
# ⚠ WARNING!

If you do not understand these directions, or if you have any doubts about the safety of the installation, please call a qualified technician. Check carefully to make sure there are no missing or defective parts. Improper installation may cause damage or serious injury. Do not use this product for any purpose that is not explicitly specified in this manual. Do not exceed weight capacity. We cannot be liable for damage or injury caused by improper mounting, incorrect assembly or inappropriate use.

## ⚠ WARNING: CHOKING HAZARD

SMALL PARTS - NOT FOR CHILDREN UNDER 3 YEARS. ADULT SUPERVISION IS REQUIRED.

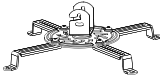
### PACKAGE CONTENTS



**A (x1)**  
Mount



**B (x1)**  
Bracket



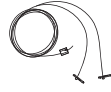
**C (x1)**  
Mount Arms



**D (x1)**  
Ceiling Plate



**E (x2)**  
Clip



**F (x1)**  
Y-Cable with  
Lock



**S-A (x2)**  
M6x18mm  
Screw



**S-B (x2)**  
M6 Washer



**S-C (x6)**  
M5x12mm  
Screw



**S-D (x6)**  
Small M5  
Washer



**S-E (x6)**  
Plastic M5  
Washer



**S-F (x2)**  
Plastic  
Spacer



**S-G (x2)**  
Threaded  
Plate



**M-A (x4)**  
M3x8mm  
Screw



**M-B (x4)**  
M4x10mm  
Screw



**M-C (x4)**  
M5x10mm  
Screw



**M-D (x4)**  
M6x10mm  
Screw



**M-E (x4)**  
M3 Washer



**M-F (x4)**  
M4 Washer



**M-G (x4)**  
M5 Washer



**M-H (x4)**  
M6 Washer



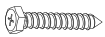
**T-A (x1)**  
4mm Allen  
Wrench



**T-B (x1)**  
5mm Allen  
Wrench

**NOTE: SOME HARDWARE INCLUDED MAY NOT BE USED**

Alternative mounting hardware (if drop ceiling panel is not used)



**W-A (x4)**  
ST6x56mm Screw



**W-B (x4)**  
Concrete Anchor



**W-C (x4)**  
M6 OD-16 Washer

## TOOLS NEEDED



DO NOT EXCEED WEIGHT CAPACITY.

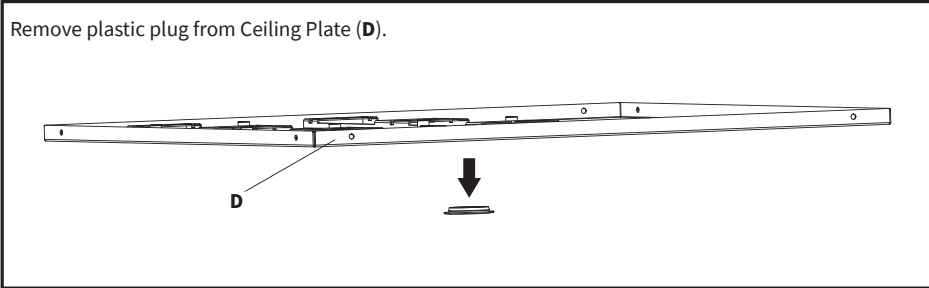
Failure to do so may result in serious injury.



## ASSEMBLY STEPS

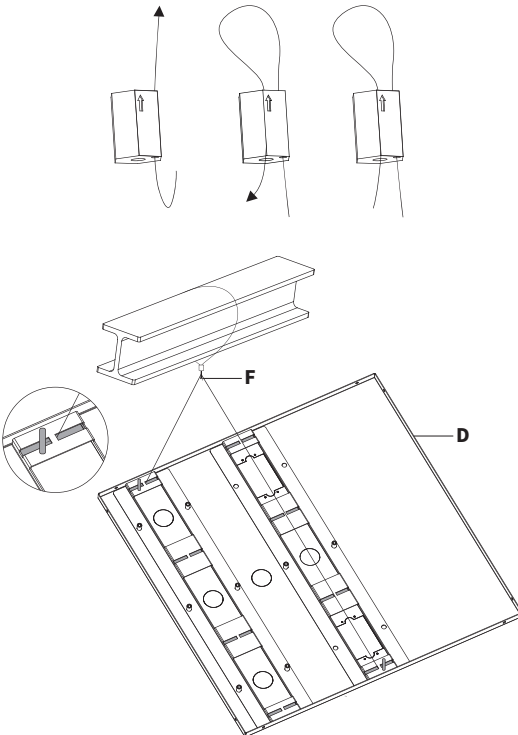
### STEP 1

Remove plastic plug from Ceiling Plate (D).

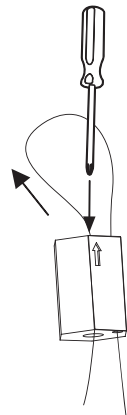


### STEP 2

Insert 2 toggles at end of Y-Cable with Lock (F) into 2 of the 16 slots on the top of the Ceiling Plate (D), making sure the slots chosen will provide optimal support for the mount with projector. Place Ceiling Plate into suspended-ceiling grid. Thread end of cable through the side hole in the lock in the direction of the arrow, wrap cable around beam or other support, then insert cable down through center hole in lock and pull down to secure.

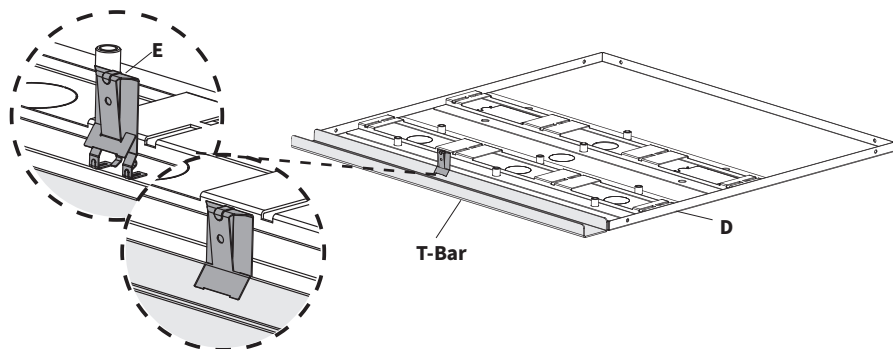


**NOTE:** To disengage the lock, use a small screwdriver to press in the centralized spring-loaded barrel on the side the arrow is pointing towards. Pull the cable out while holding down the spring.



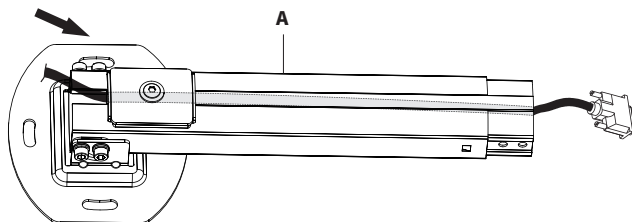
### STEP 3

Push Clips (E) down over drop ceiling T-bar to hold the Ceiling Plate (D) down.

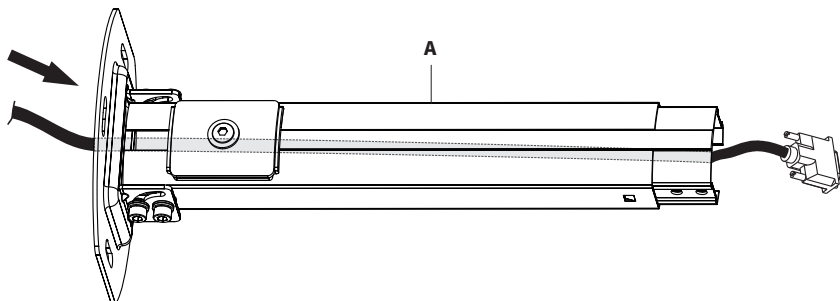


### STEP 4

**OPTION A:** Insert cables through side of Mount (A) if cables will be exposed below ceiling.

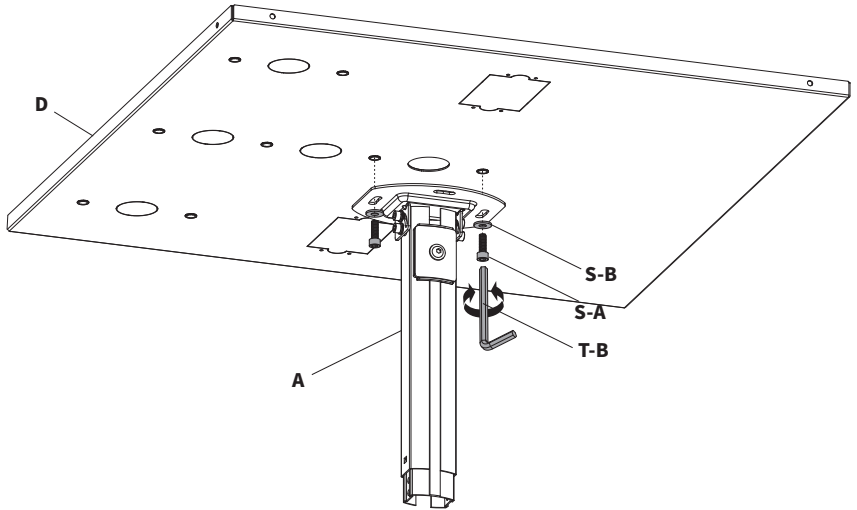


**OPTION B:** Insert cables through center of Mount (A) if cables will be hidden above ceiling.



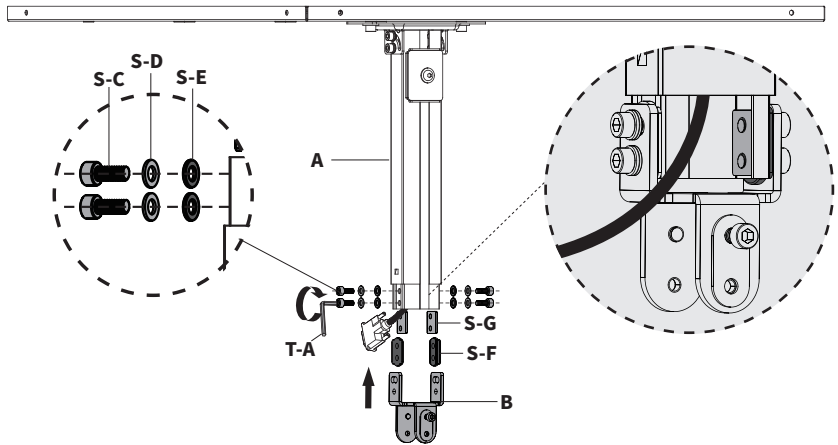
## STEP 5

Secure Mount (A) to Ceiling Plate (D) using M6x18mm Bolts (S-A) with M6 Washers (S-B), and tighten with 5mm Allen Wrench (T-B).



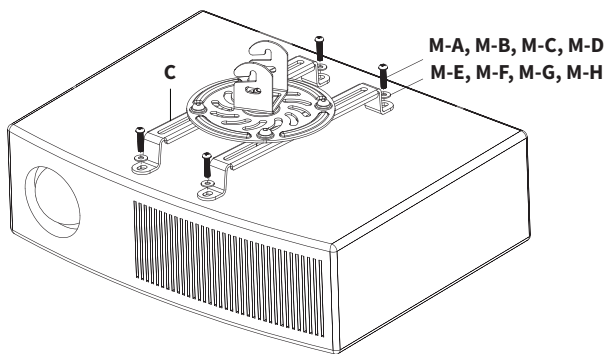
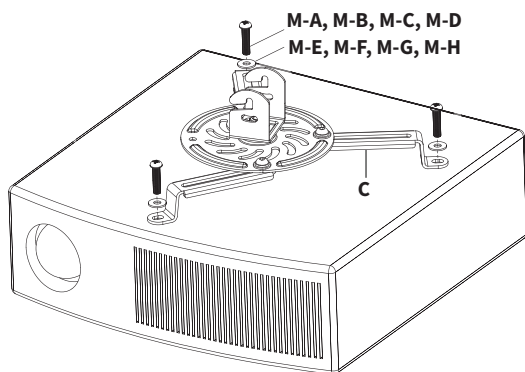
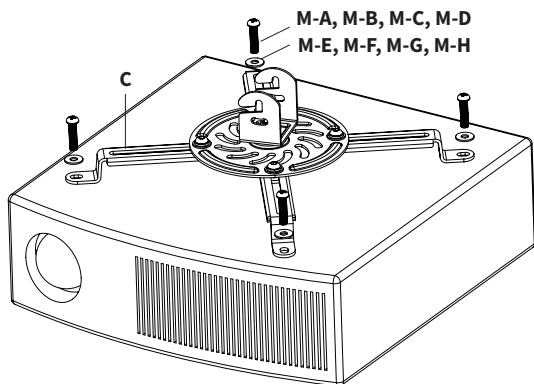
## STEP 6

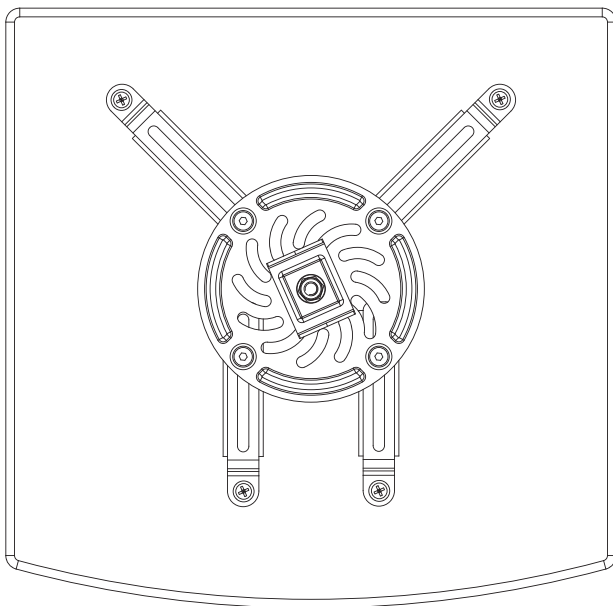
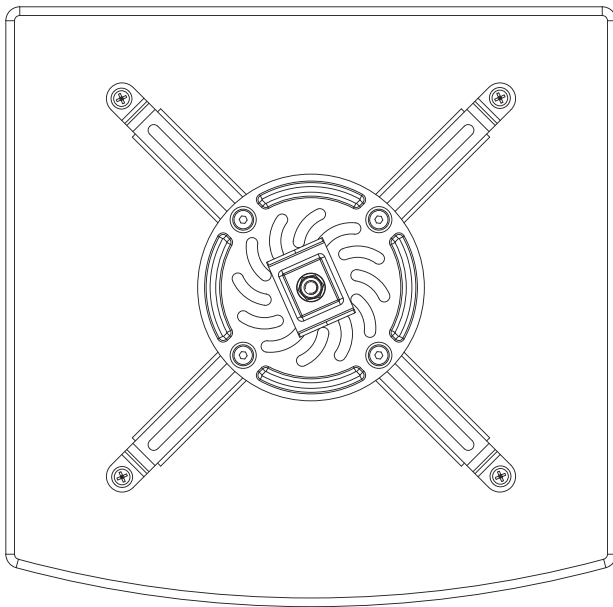
Secure Bracket (B) to Mount (A) using Threaded Plate (S-G), Plastic Spacer (S-F), M5x12mm Screws (S-C), Small M5 Washer (S-D), Plastic M5 Washer (S-E), and 4mm Allen Wrench (T-A).



## STEP 7

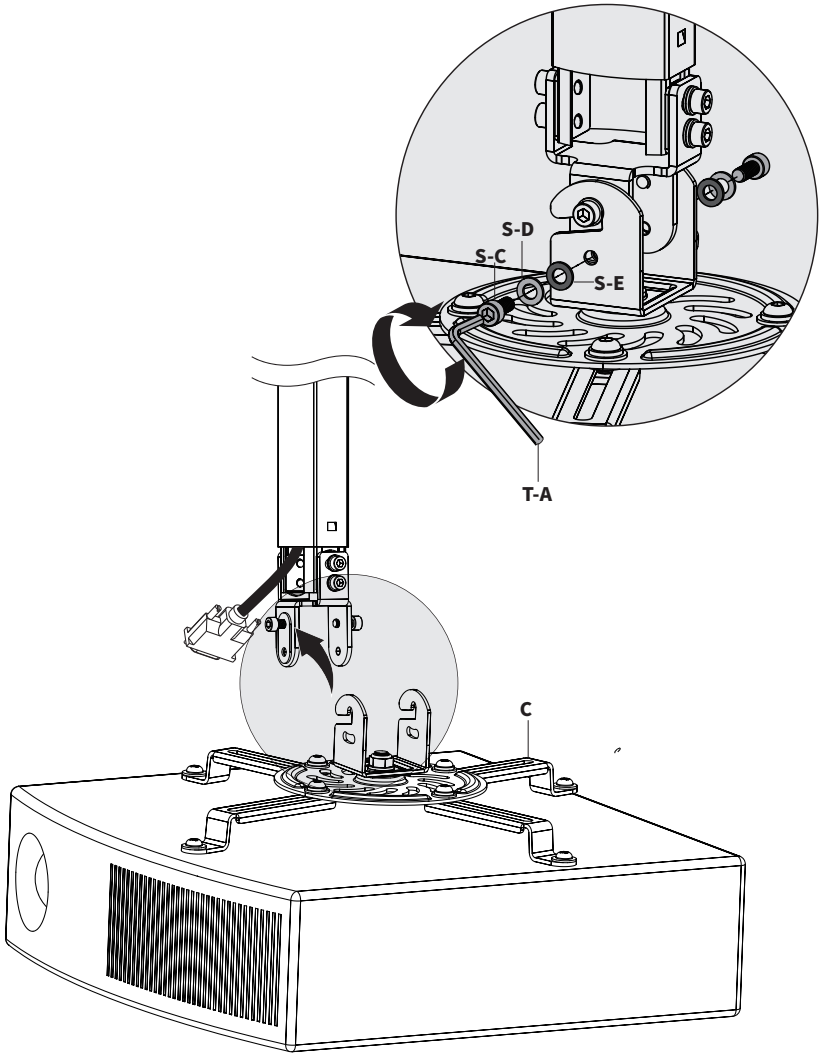
Align arms on Mounting Arms (C) with mounting holes in projector, and secure to projector using Screws (M-A through M-D) and Washers (M-E through M-H) most appropriate for your projector. If your projector has 3 mounting holes, simply remove one of the arms.





## STEP 8

Angle Mount Arms (C) with Projector and hook onto Assembled Mount to partially secure.  
Secure Mount Arms (C) to Assembled Mount using M5 Plastic Washer (S-E), M5 Washer (S-D),  
M5x12mm Screw (S-C) and 4mm Allen Wrench (T-A).



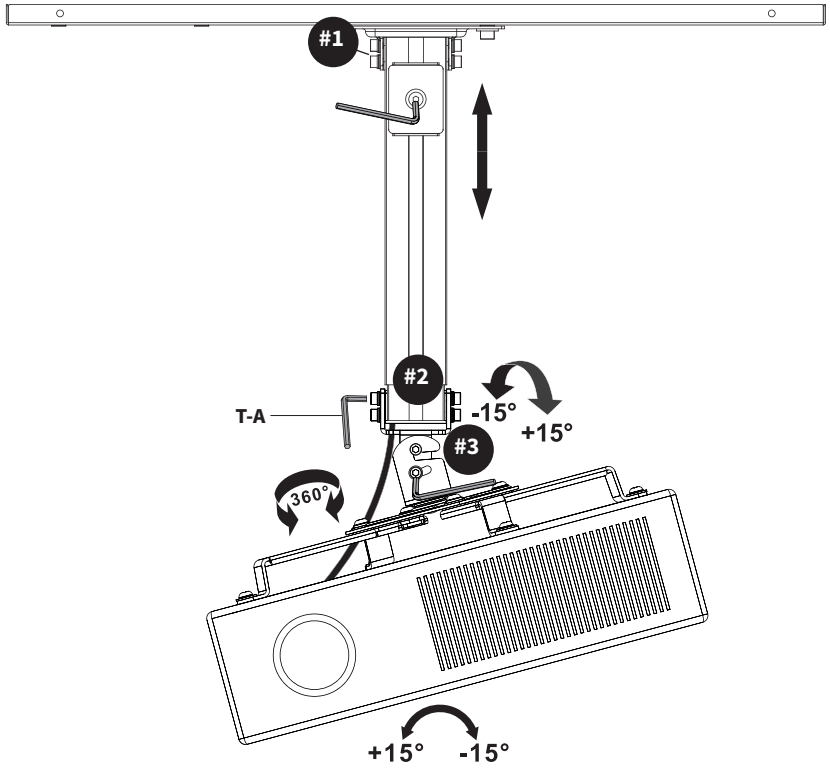


## STEP 9

Adjust angle and rotation of projector if desired by loosening screws on Assembled Mount using 4mm Allen Wrench (**T-A**).

**Adjustment #1:** Use for pitched ceiling applications ONLY.

**Adjustment #2 & #3:** Adjust tilt angle using one or both of these adjustments.



[PAGE INTENTIONALLY LEFT BLANK]

[PAGE INTENTIONALLY LEFT BLANK]



Open **Monday - Friday 7:00am - 7:00pm** CST,  
our dedicated support team can offer immediate assistance with rapid response times. If any parts are received damaged or defective, please contact us. We are happy to replace parts to ensure you have a fully functioning product.



309-278-5303

**AVG. RESOLUTION TIME** (*within office hrs*): **5M 4S**

---



[www.vivo-us.com](http://www.vivo-us.com)  
*Chat live with an agent!*

**AVG. RESOLUTION TIME** (*within office hrs*): **< 15 M**

---



[help@vivo-us.com](mailto:help@vivo-us.com)

**AVG. RESPONSE TIME** (*within office hrs*): **1HR 8M**

- 23% within < 15m
- 38% within < 30m
- 61% within < 1hr
- 83% within < 2hr
- 92% within < 3hr